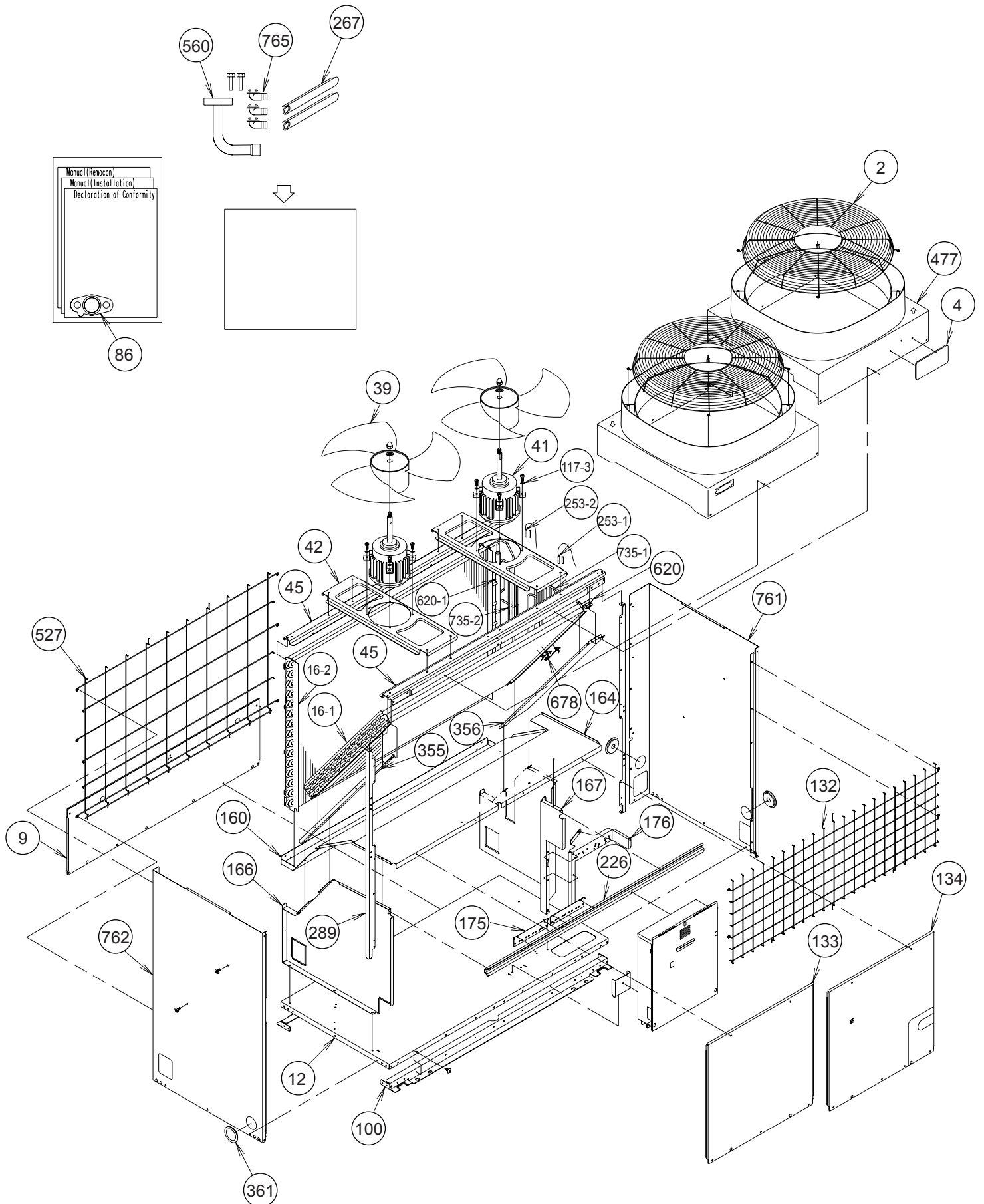
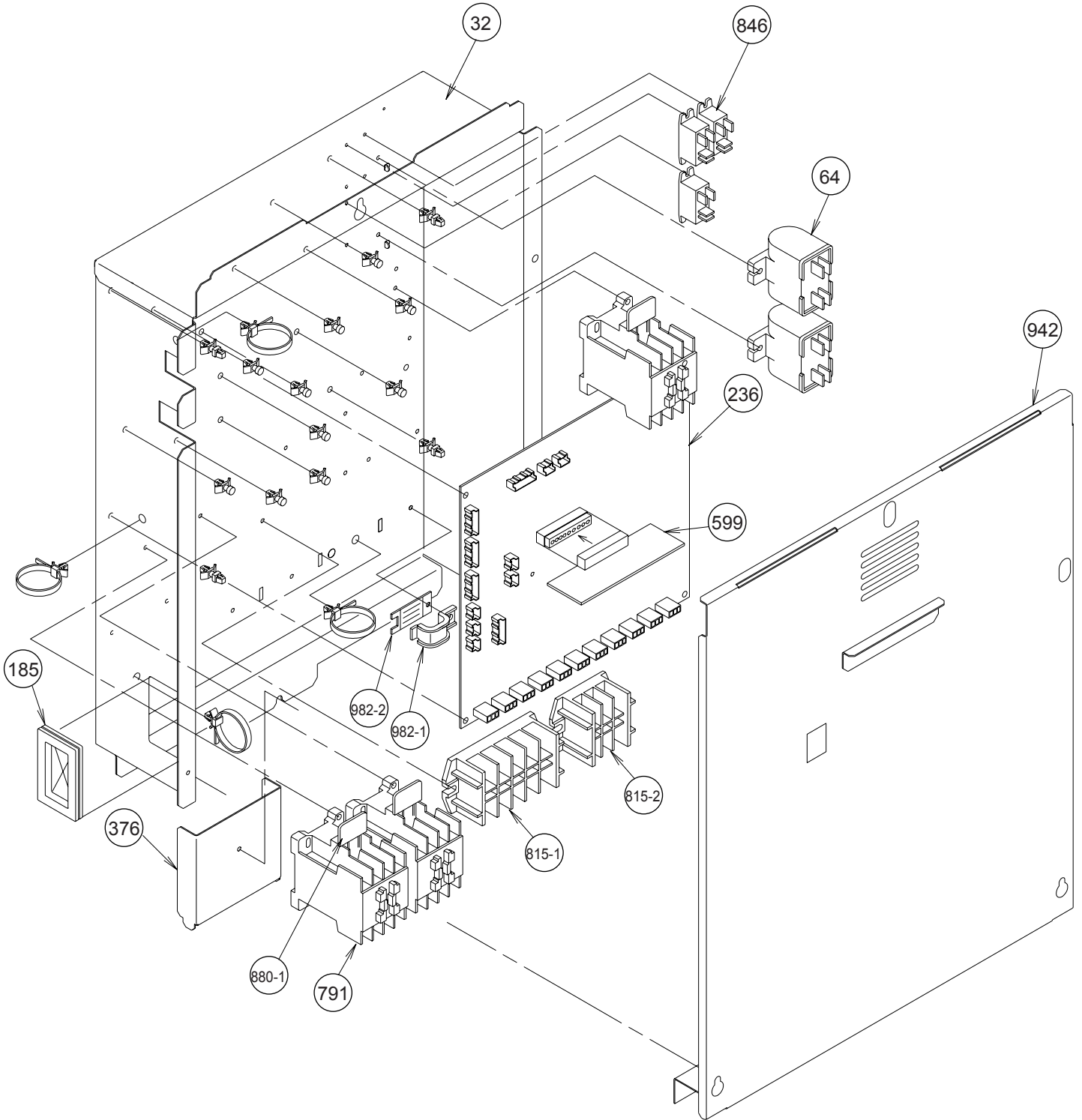


DISASSEMBLY ILLUSTRATION

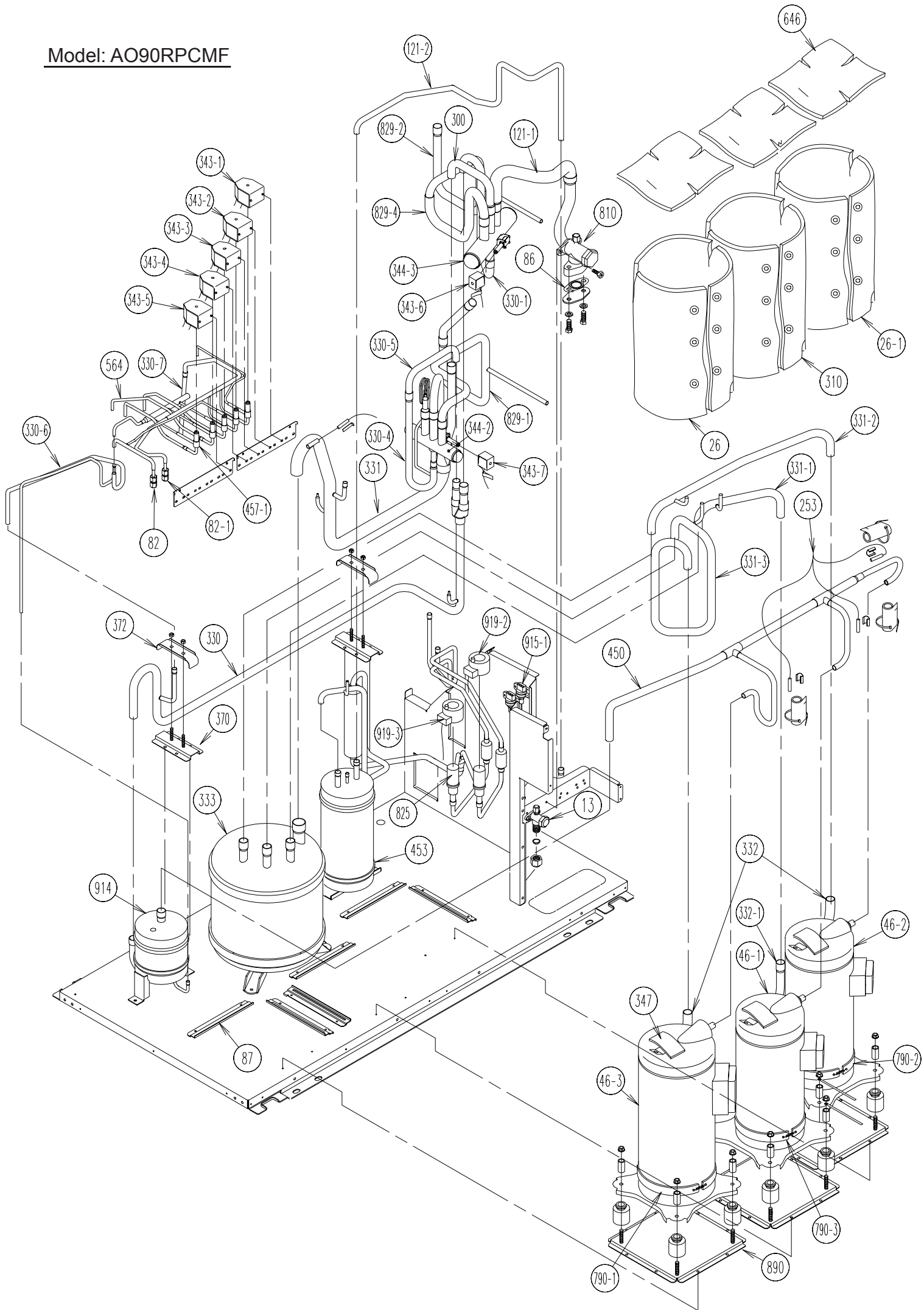
Model: AO90RPCMF



Model: AO90RPCMF



Model: AO90RPCMF



PARTS LIST

Model: AO90RPCMF

OUTDOOR UNIT

Ref No.	Description	Part No.	Ord Q'ty	Ref No.	Description	Part No.	Ord Q'ty
		AO90RPCMF				AO90RPCMF	
2	FAN COVER	9366142010		333	ACCUMULATOR ASSY	9375073015	
4	EMBLEM (FUJITSU)	9359836018		343-1	SOLENOID SV5	9970007057	
4	EMBLEM (GENERAL)	313791088308		343-2	SOLENOID SV4	9970007040	
9	REAR PANEL PAINTED	9361712027		343-3	SOLENOID SV1	9970007019	
12	BASE ASSY	9372336021		343-4	SOLENOID SV2	9970007026	
13	3-WAY VALVE ASSY	9368997007		343-5	SOLENOID SV3	9970007033	
16-1	CONDENSER ASSY 3X30	9370133080		343-6	SOLENOID 4WV1	9970008016	
16-2	CONDENSER ASSY 2X30	9370133028		343-7	SOLENOID 4WV2	9970008023	
26	COMPRESSOR COVER-A	9361935006		344-2	4-WAY VALVE 2	9353532008	
32	CONTROL BOX	9361713000		344-3	4-WAY VALVE 1	9703884009	
39	PROPELLER FAN	9361726000		347	NOISE INSULATION-D	313712304109	
41	FAN MOTOR ASSY-OUTER	9601271017		355	BRACKET(CONDENSER)-L	9361698000	
42	BRACKET PANEL(MOTOR)	9361703001		356	BRACKET(CONDENSER)-R	9361699007	
45	BRACKET(MOTOR)	9361701007		361	BUSHING	9361725003	
46-1	COMPRESSOR A ASSY	9370065008		376	BRACKET(CONTROL BOX)	9361727007	
46-2	COMPRESSOR B ASSY	9370066005		450	DISCHARGE PIPE ASSY	9375074036	
46-3	COMPRESSOR C ASSY	9370067002		453	RECEIVER TANK ASSY	9366371007	
64	CAPACITOR(FAN MOTOR)	9703306037		457-1	SOLENOID VALVE	9703889028	
82	JNT PP (CHECK JOINT) A AS	9369889004		477	BELL MOUTH	9361721005	
82-1	JNT PP (CHECK JOINT) B AS	9369891007		527	CONDENSER GUARD	9366143017	
86	GASKET	9363272000		560	FLANGE ASSY E895	9363035001	
87	BRACKET(COMPRESSOR)	9361694002		564	BYPASS ASSY	9375081027	
100	BASE FOOT PAINTED	9361688025		599	SIGNAL PCB ASSY	9704424044	
117-3	SPECIAL WASHER M6	313306391007		620	INLET PIPE A(CONDENSER)	9369899003	
121-1	BALL VALVE JOINT A D28.58	9369893001		620-1	INLET PIPE B(CONDENSER)	9369913006	
121-2	BALL VALVE JOINT B D12.78	9369894008		646	COMPRESSOR COVER-B	9361936003	
132	FRONT PROTECTION NET	9366144014		678	BRACKET(THERMISTOR)	313557406106	
133	FRONT PANEL-L	9361709027		735-1	DISTRIBUTOR A ASSY	9375099015	
134	FRONT PANEL-R	9361710047		735-2	DISTRIBUTOR B ASSY	9375099022	
160	DRAIN PAN	9361700000		761	SIDE PANEL-R PAINTED	9361706026	
164	SEPARATE WALL-UPPER	9361693005		762	SIDE PANEL-L PAINTED	9361705029	
166	SEPARATE WALL-L	9361695009		765	DRAIN PIPE (L-TYPE)	9301102000	
167	SEPARATE WALL-R	9361696006		790-1	BELT HEATER A 240V 35W	9361140097	
175	BRKT PNL(S VLV)	9364230009		790-2	BELT HEATER B 240V 35W	9361140080	
176	BRACKET(VALVE)-A	9368955007		790-3	BELT HEATER C 240V 25W	9361140073	
185	RUBBER BUSHING	313005066051		791	MAGNETIC RELAY	9900227012	
226	REINFORCEMENT	9361697003		810	BALL VALVE-B (R22)	9361938007	
236	CONTROLLER PCB ASSY	9704723017		815-1	TERMINAL 5P	9363275018	
253	THERMISTOR ASSY	9900098018		815-2	TERMINAL 3P	9358660027	
253-1	THERMISTOR (H.E.1)	9900099015		825	EXPANSION VALVE	9370365009	
253-2	THERMISTOR (H.E.2)	9900099022		829-1	JOINT PIPE A ASSY	9369859007	
267	INSULATION(PIPE) C	9363828009		829-2	JOINT PIPE B ASSY	9369862007	
289	REINFORCEMENT	9361704008		829-4	JOINT PIPE C1	9375101015	
300	SUCTION PIPE C	9369895005		846	RELAY G2R-1A-T DC12V	9304375005	
310	COMPRESSOR COVER	9366132004		880-1	NETWORK (C-R)	9700987017	
330	JOINT PIPE A ASSY (OIL SEPA)	9375085018		890	BRKT PNL(COMP)ASSY	9364208008	
330-1	JOINT PIPE B (OIL SEPA)	9369896002		914	OIL SEPARATOR ASSY	9369947001	
330-4	JOINT PIPE D (OIL SEPA)	9375094010		915-1	PRESSURE SENSOR	9900097011	
330-5	JOINT PIPE E ASSY(OIL SEPA)	9375098018		919-2	COIL(EXPANSION VALVE)	9370435009	
330-6	JOINT PIPE C ASSY(OIL SEPA)	9375091019		919-3	COIL(EXPANSION VALVE)	9370436006	
330-7	JOINT PIPE (BYPS)J1	9375092054		942	CONTROL BOX COVER	9361716001	
331	SUCTION PIPE A ASSY	9375087029		982-1	CORD CLAMP	9356857009	
331-1	SUCTION PIPE ASSY (2HP)	9375076016		982-2	CORD CLAMP B	9356858006	
331-2	SUCTION PIPE ASSY (4HP)	9375076023					
331-3	SUCTION PIPE ASSY (6HP)	9375076030					
332	JOINT PIPE (COMP) A	9375078010					
332-1	JOINT PIPE (COMP) B	9375078027					