

SPLIT TYPE
ROOM AIR CONDITIONER
FLOOR CONSOLE /
UNDER CEILING
DUAL TYPE

SERVICE MANUAL



Indoor unit	Outdoor unit
ABYF18LAT	AOYA18LACL
ABYF18LAT	AOYA18LALL
ABYF18LAT	AOYB18LACL
ABYF18LAT	AOYB18LALL
ABYF18LBT	AOYA18LALL
ABYF18LBT	AOYB18LALL
ABYF24LAT	AOYA24LACL
ABYF24LAT	AOYA24LALL
ABYF24LAT	AOYB24LACL
ABYF24LAT	AOYB24LALL
ABYF24LBT	AOYA24LALL
ABYF24LBT	AOYB24LALL

CONTENTS

SPECIFICATIONS	1
OUTLINE AND DIMENSIONS	2
REFRIGERANT SYSTEM DIAGRAM	5
CIRCUIT DIAGRAM	6
PCB CIRCUIT DIAGRAM	7
ERROR DISPLAY	17
PARTS (indoor unit)	20
PARTS (outdoor unit)	30
ACCESSORIES	33

SPECIFICATIONS

ELECTRICAL DATA

TYPE		Cool & heat inverter			
INDOOR UNIT		ABYF18LAT, ABYF18LBT		ABYF24LAT, ABYF24LBT	
OUTDOOR UNIT		AOYA18LA_L	AOYB18LA_L	AOYA24LA_L	AOYB24LA_L
COOLING CAPACITY		5.20 kW		7.10 kW	
HEATING CAPACITY		6.00 kW		8.00 kW	
POWER SOURCE		230 V		230 V	
FREQUENCY		50 Hz		50 Hz	
RUNNING CURRENT	COOLING	7.1 A	7.4 A	9.7 A	10.1 A
	HEATING	7.3 A	7.7 A	9.7 A	10.2 A
INPUT WATTS	COOLING	1.62 kW	1.70 kW	2.21 kW	2.32 kW
	HEATING	1.66 kW	1.75 kW	2.21 kW	2.33 kW
E.E.R.	COOLING	3.21 kW/kW	3.06 kW/kW	3.21 kW/kW	3.06 kW/kW
COP	HEATING	3.61 kW/kW	3.43 kW/kW	3.61 kW/kW	3.43 kW/kW
MOISTURE REMOVAL		2.0 L/hr		2.7 L/hr	
AIR CIRCULATION HIGH		780 m ³ /hr		980 m ³ /hr	

FAN MOTOR

POWER SOURCE		230 V	230 V
INDOOR UNIT (cool / heat)	HIGH-SPEED	1,040 / 1,040 r.p.m.	1,330 / 1,300 r.p.m.
	MED-SPEED	950 / 950 r.p.m.	1,150 / 1,150 r.p.m.
	LOW-SPEED	800 / 800 r.p.m.	1,000 / 1,000 r.p.m.
	QUIET	740 / 740 r.p.m.	780 / 780 r.p.m.
OUTDOOR UNIT		860 / 820 r.p.m.	1,050 / 1,050 r.p.m.

NOISE LEVEL

INDOOR UNIT (cool / heat)	43 dB / 43 dB	48 dB / 48 dB
OUTDOOR UNIT (cool / heat)	50 dB / 50 dB	52 dB / 53 dB

COMPRESSOR AND REFRIGERANT

TYPE		Hermetic type, 4 pole, 3 phase, DC inverter motor, Rotary	
DISCRIMINATION		DA130A1F-25NA	DA150A1F-20NA
WEIGHT (with oil)		9.6 kg	10.0 kg
PRECHARGED REFRIGERANT		1,250 g	1,700 g
REFRIGERANT TYPE		R410A	R410A
FULL CHARGE	Pipe length 15 m	1,250 g	1,700 g
	20 m	1,350 g	1,800 g
ADDITIONAL REFRIGERANT		20 g/m	20 g/m

DIMENSIONS

INDOOR UNIT	H x W x D	199 x 990 x 655 mm	
OUTDOOR UNIT	H x W x D	578 x 790 x 300 mm	578 x 790 x 315 mm

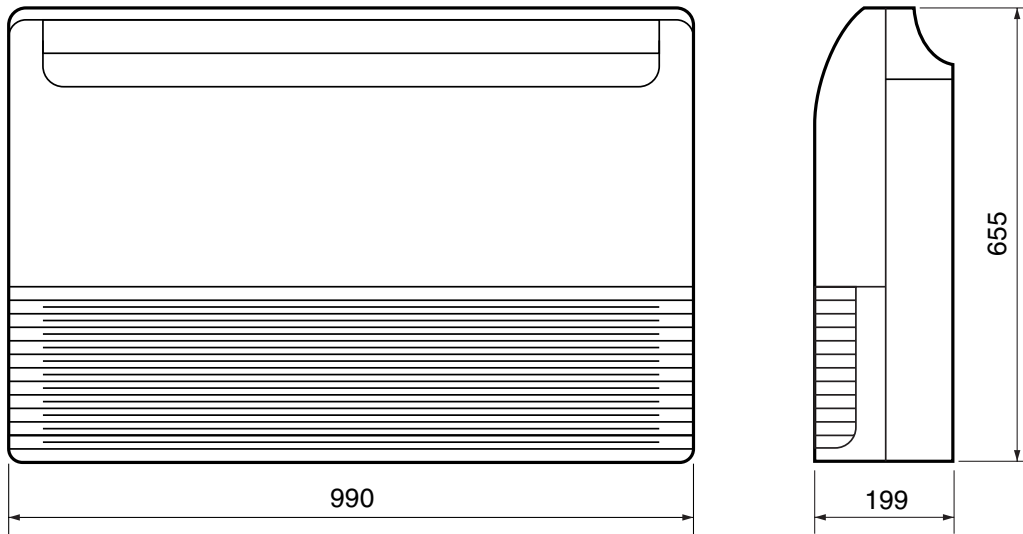
WEIGHT

INDOOR UNIT	Shipping / Net	36 kg / 27 kg	
OUTDOOR UNIT	Shipping / Net	44 kg / 40 kg	48 kg / 44 kg

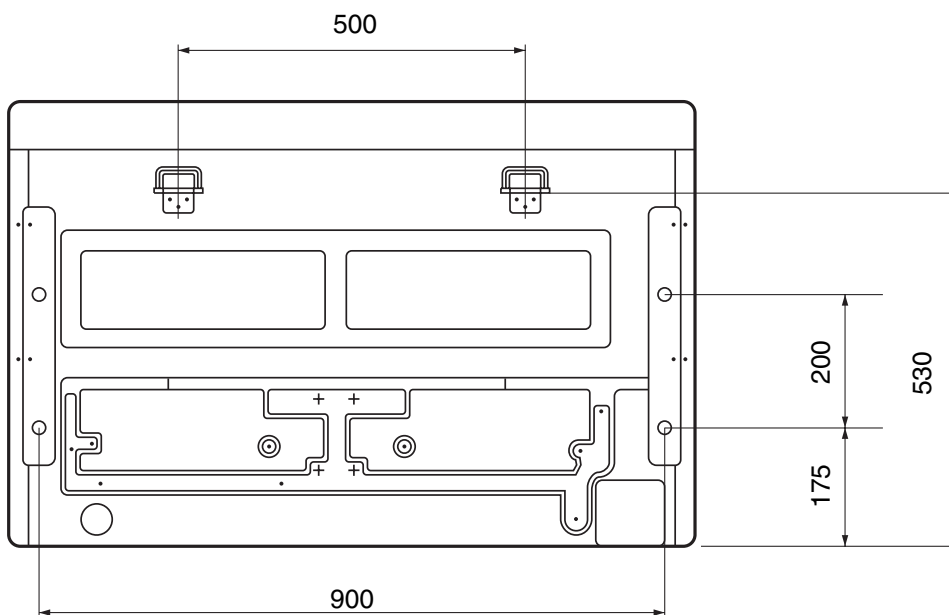
OUTLINE AND DIMENSIONS

INDOOR UNIT

Unit : mm

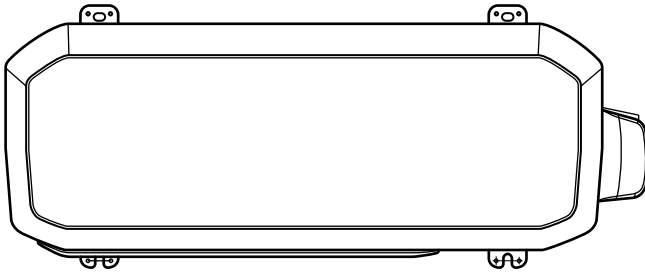


(rear view)

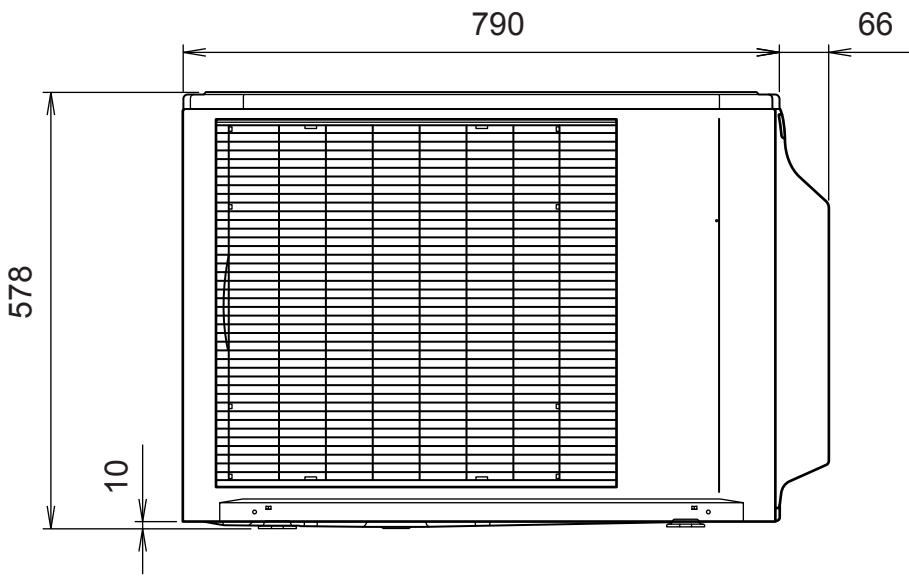


OUTDOOR UNIT
AOY_18LA_L

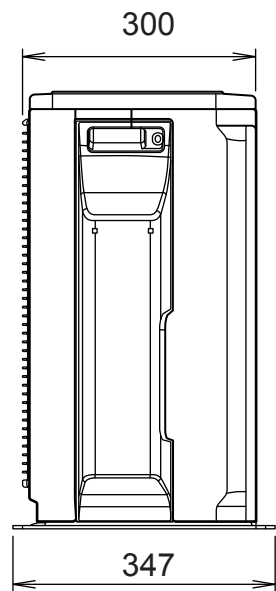
Unit : mm



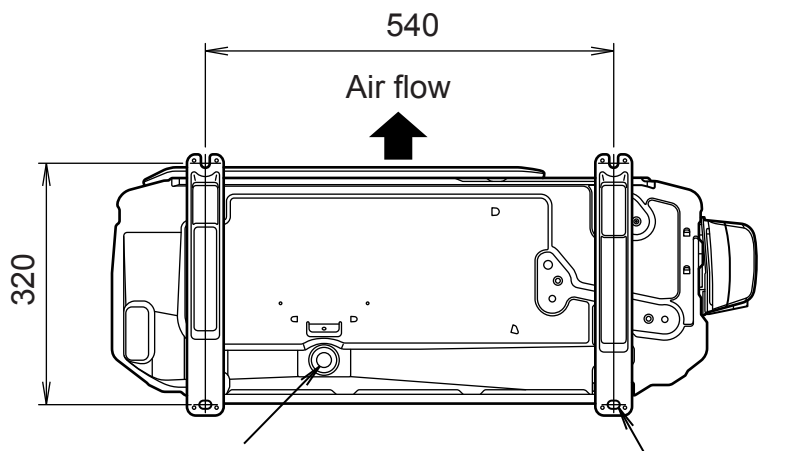
Top view



Front view



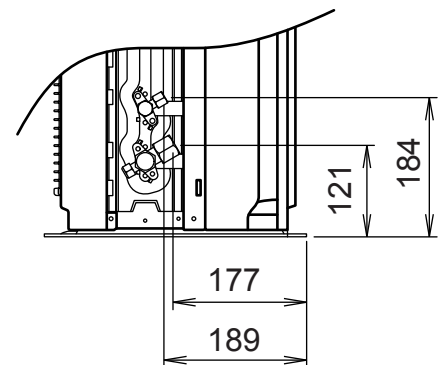
Side view



Drain pipe
mounting place
(ϕ 20)

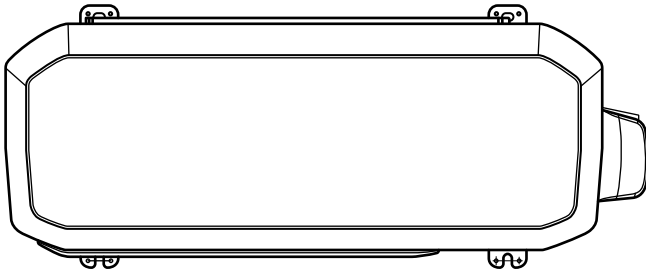
Bottom view

4- ϕ 10mm hole

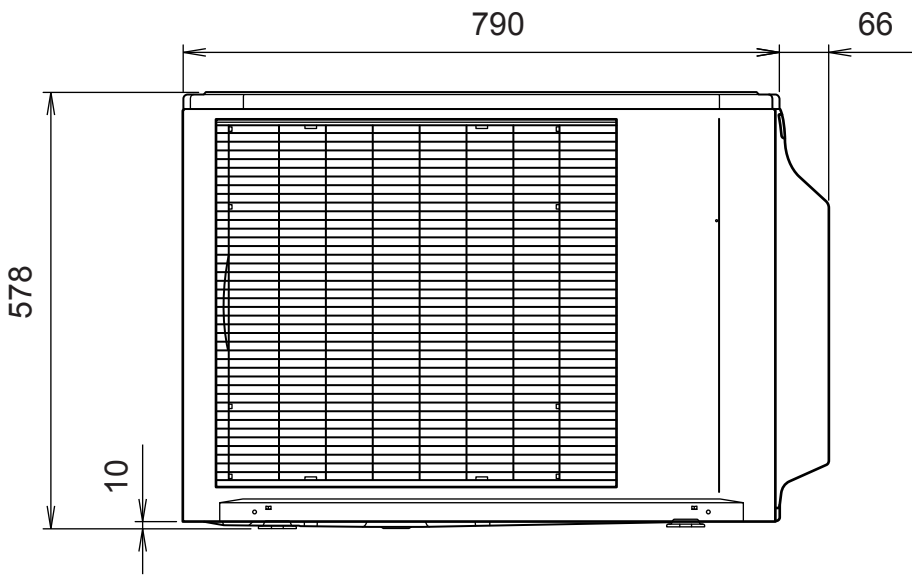


OUTDOOR UNIT
AOY_24LA_L

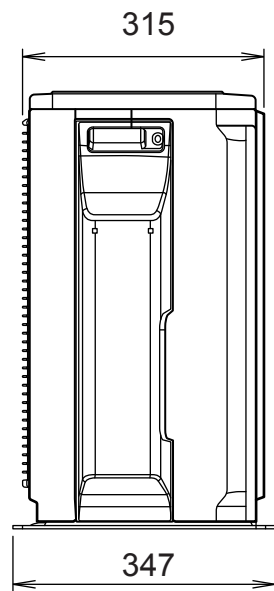
Unit : mm



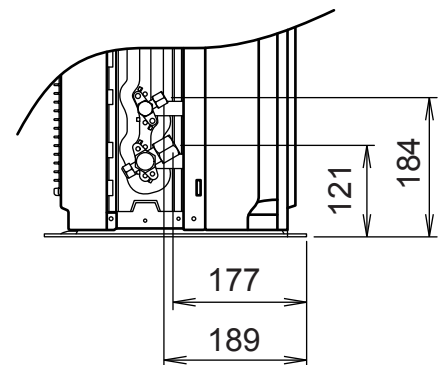
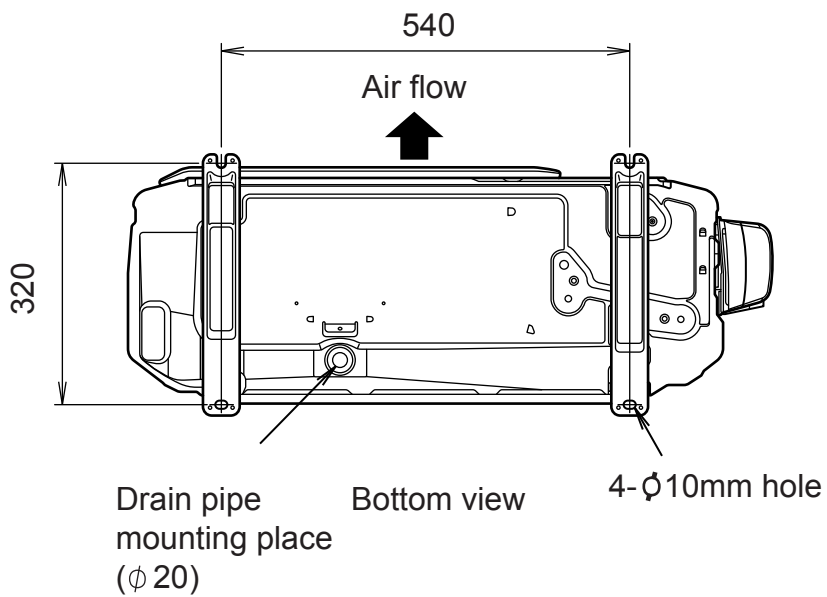
Top view



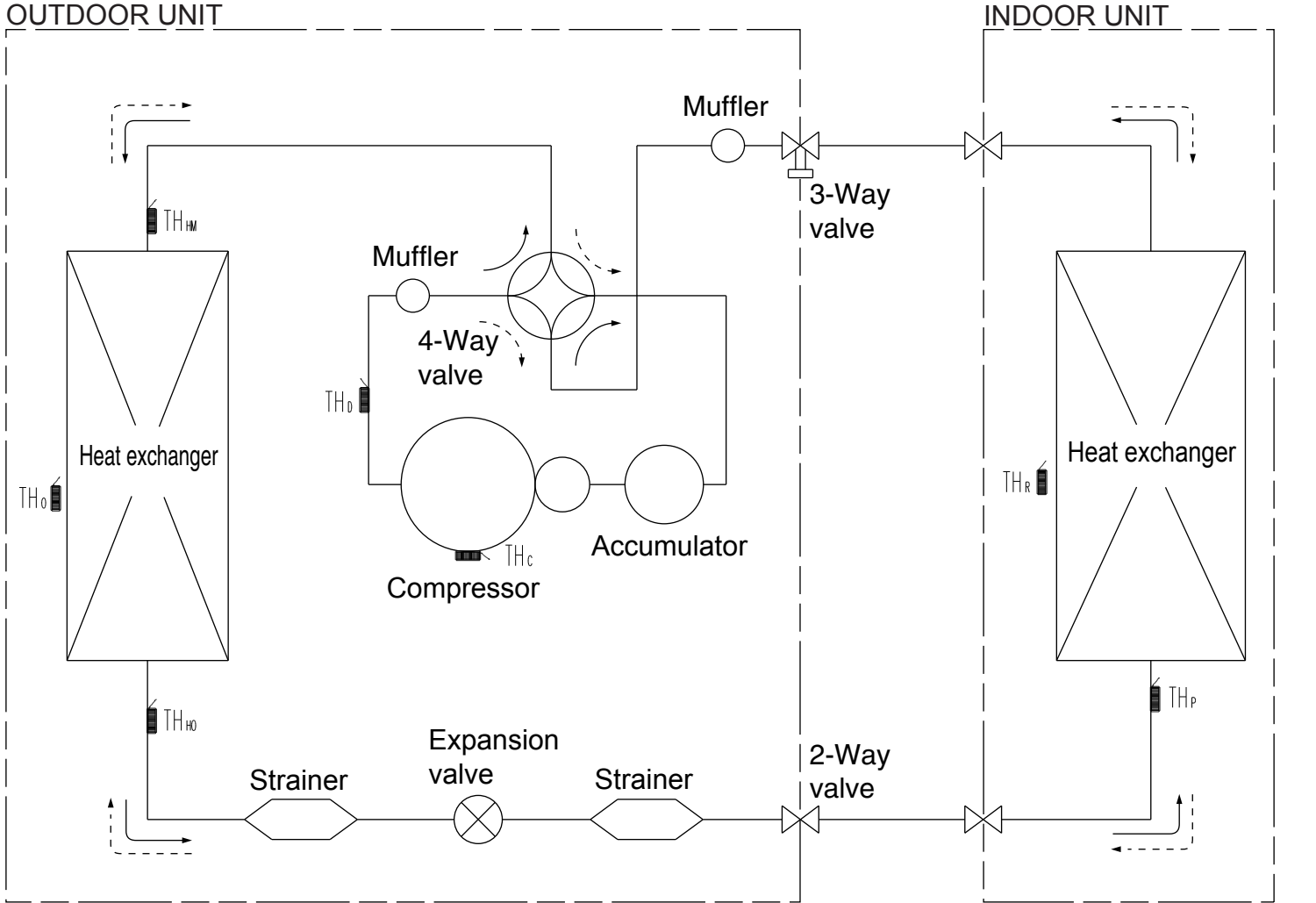
Front view



Side view



REFRIGERANT SYSTEM DIAGRAM



Refrigerant pipe diameter

ABYF18L_T / AOY_18LA_L

Liquid : 1/4" (6.35 mm)

Gas : 1/2" (12.70 mm)

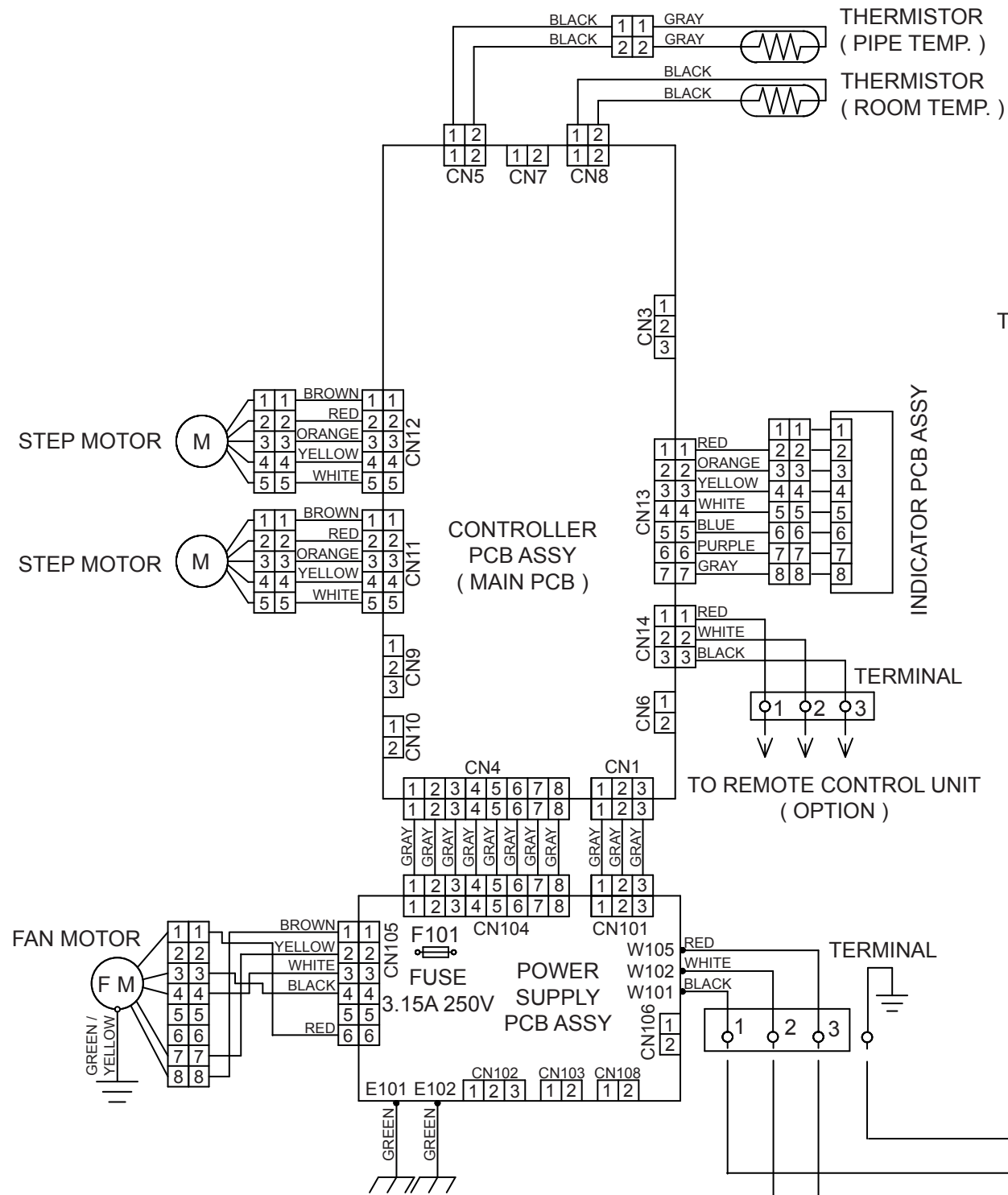
ABYF24L_T / AOY_24LA_L

Liquid : 1/4" (6.35 mm)

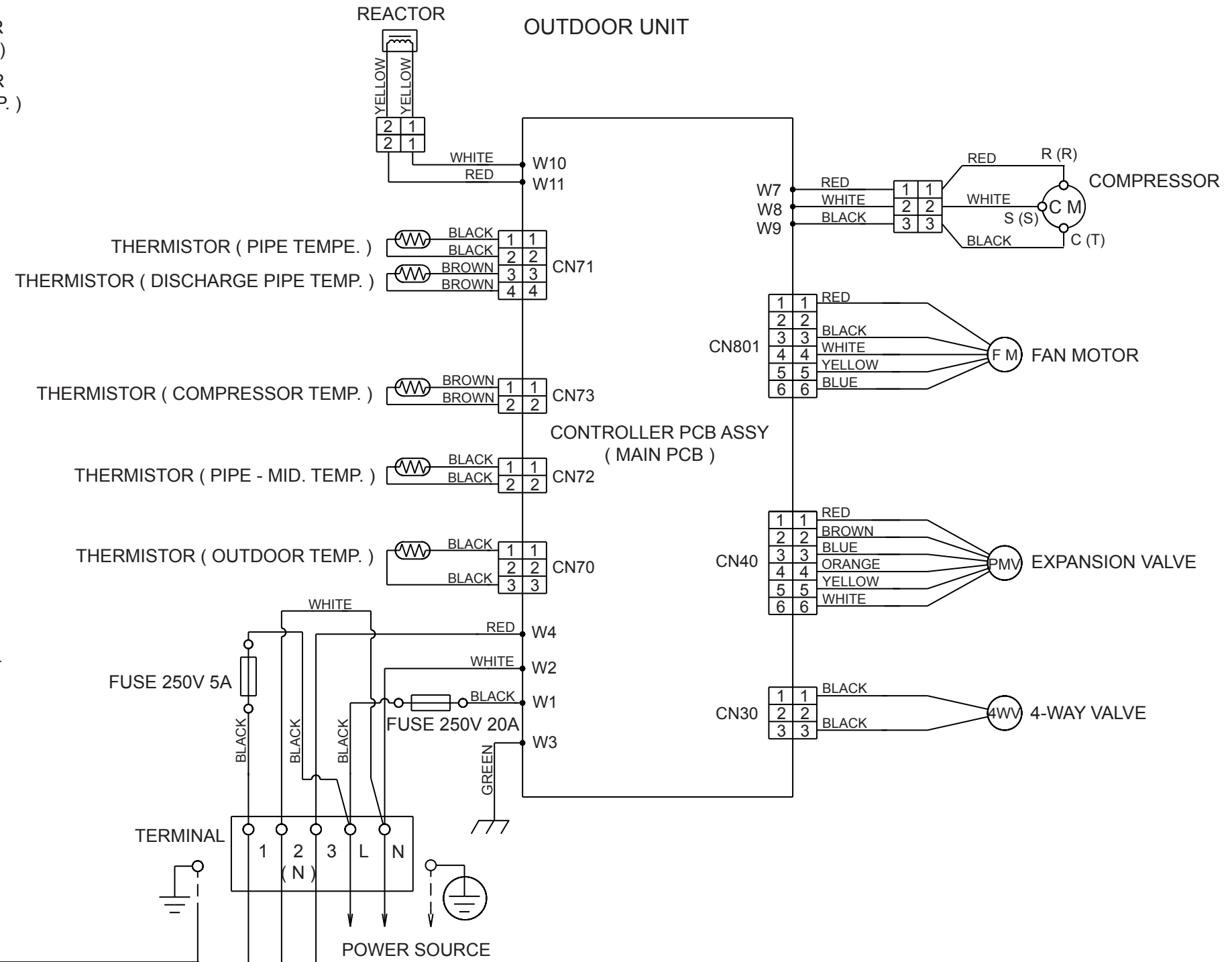
Gas : 5/8" (15.88 mm)

CIRCUIT DIAGRAM

INDOOR UNIT



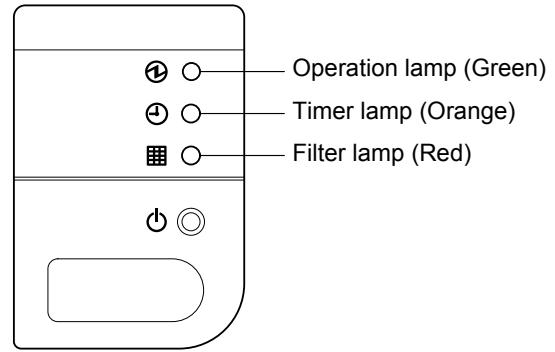
OUTDOOR UNIT



PCB Circuit Diagrams

not available at time of publication

ERROR CONTENTS



INDOOR UNIT

The lamps show the error contents.

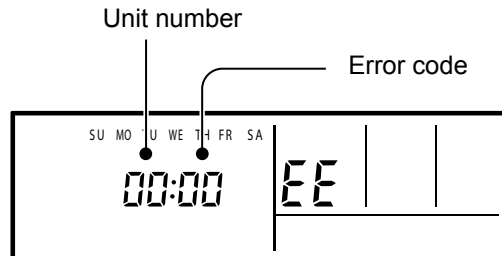
○ : 0.5s ON/0.5s OFF (Flash) × : OFF

Operation lamp (Green)	Timer lamp (Orange)	Filter lamp (Red)	Error contents
×	2 times ○	×	Serial reverse transfer error at starting up operation
×	3 times ○	×	Serial reverse transfer error during the operation
×	4 times ○	×	Serial forward transfer error at starting up operation
×	5 times ○	×	Serial forward transfer error during the operation
×	6 times ○	×	Communication error (Main PCB → Display PCB)
×	7 times ○	×	Communication error (Display PCB → Main PCB)
×	8 times ○	×	Wired remote control abnormal
2 times ○	2 times ○	×	Indoor room temperature sensor error
2 times ○	3 times ○	×	Indoor heat exchanger temperature sensor (middle) error
2 times ○	4 times ○	×	Indoor heat exchanger temperature sensor (inlet) error
2 times ○	6 times ○	×	Float switch operated
3 times ○	2 times ○	×	Outdoor discharge pipe temperature sensor error
3 times ○	3 times ○	×	Outdoor heat exchanger temperature sensor (outlet) error
3 times ○	4 times ○	×	Outdoor temperature sensor error
3 times ○	8 times ○	×	Compressor temperature sensor error
3 times ○	×	2 times ○	2-way valve temperature sensor error
3 times ○	×	3 times ○	3-way valve temperature sensor error
3 times ○	×	4 times ○	Outdoor heat exchanger temperature sensor (middle) error
4 times ○	2 times ○	×	Indoor manual auto switch abnormal
5 times ○	2 times ○	×	IPM protection
5 times ○	3 times ○	×	CT error
5 times ○	5 times ○	×	Compressor location error
5 times ○	6 times ○	×	Outdoor fan error
5 times ○	7 times ○	×	Connected indoor unit abnormal
5 times ○	8 times ○	×	Outdoor unit computer communication error
6 times ○	2 or 3 times ○	×	Indoor fan abnormal
7 times ○	2 times ○	×	Discharge temperature error
7 times ○	3 times ○	×	Excessive high pressure protection on cooling
7 times ○	4 times ○	×	4-way valve abnormal
7 times ○	5 times ○	×	Pressure switch abnormal
7 times ○	6 times ○	×	Compressor temperature error
8 times ○	2 or 3 times ○	×	Active filter abnormal
8 times ○	4 times ○	×	PFC circuit error
0.1 second flashing			Model appreciation error

WIRED REMOTE CONTROL

If an error occurs, the following display will be shown.
("EE" will appear in the set room temperature display.)

If "CO" appears in the unit number display, there is a remote control error.
Refer to the installation instruction sheet included with the remote control.



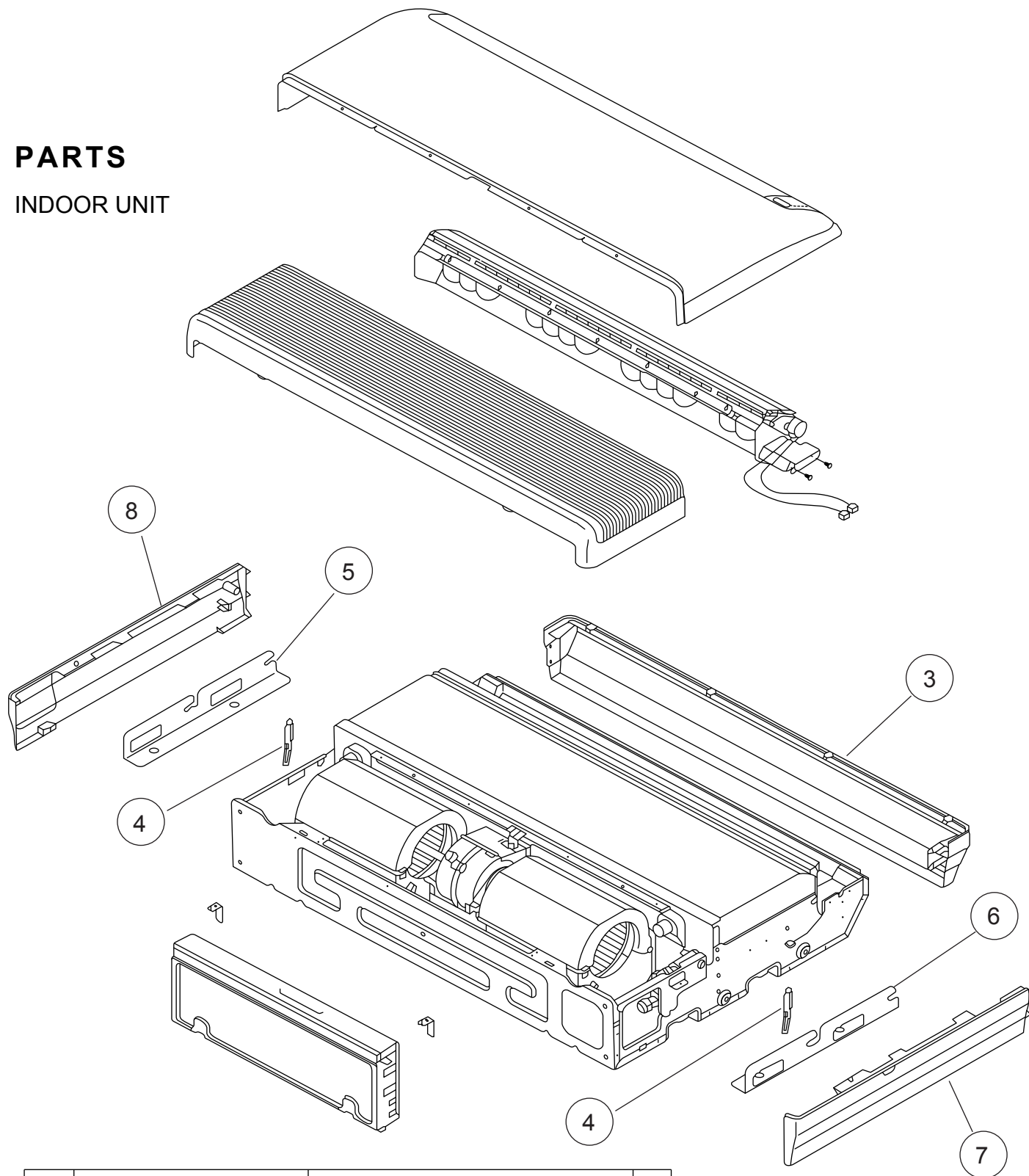
Error code	Error contents
01	Serial reverse transfer error
13	Serial forward transfer error
26	Communication error (Main PCB → Display PCB)
27	Communication error (Display PCB → Main PCB)
00	Wired remote controller abnormal
02	Indoor room temperature sensor error
04	Indoor heat exchanger temperature sensor (middle) error
28	Indoor heat exchanger temperature sensor (inlet) error
09	Float switch operated
0C	Outdoor discharge pipe temperature sensor error
06	Outdoor heat exchanger temperature sensor (outlet) error
0A	Outdoor temperature sensor error
15	Compressor temperature sensor error
1d	2-way valve temperature sensor error
1E	3-way valve temperature sensor error
29	Outdoor heat exchanger temperature sensor (middle) error
20	Indoor manual auto switch abnormal
2A	Power supply frequency detection error
17	IPM protection
18	CT error
1A	Compressor location error
1b	Outdoor fan error
1F	Connected indoor unit abnormal
1c	Outdoor unit computer communication error
12	Indoor fan abnormal
0F	Discharge temperature error
24	Excessive high pressure protection on cooling
2c	4-way valve abnormal
16	Pressure switch abnormal
2b	Compressor temperature error
19	Active filter abnormal
25	PFC circuit error

OUTDOOR UNIT

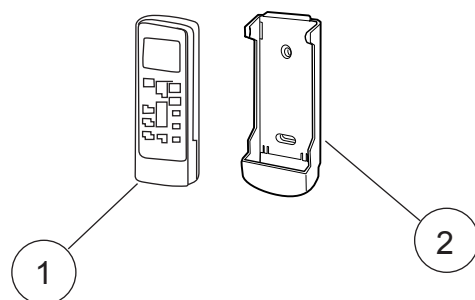
Error contents	LED
Thermistor malfunction	on 0.1 sec / off 0.1 sec
Abnormal discharge temperature	on
Current surge protection	on 0.5 sec / off 0.5 sec
CT abnormality	on 2.0 sec / off 2.0 sec
Compressor position detection malfunction	on 0.1 sec / off 2.0 sec
Fan malfunction	on 5.0 sec / off 5.0 sec
PAM voltage abnormality	on 5.0 sec / off 0.1 sec
Timer short	on 1.0 sec / off 1.0 sec
Compressor temperature protection (permanent stop)	on 2.0 sec / off 5.0 sec
PFC surge protection (permanent stop)	on 5.0 sec / off 2.0 sec

PARTS

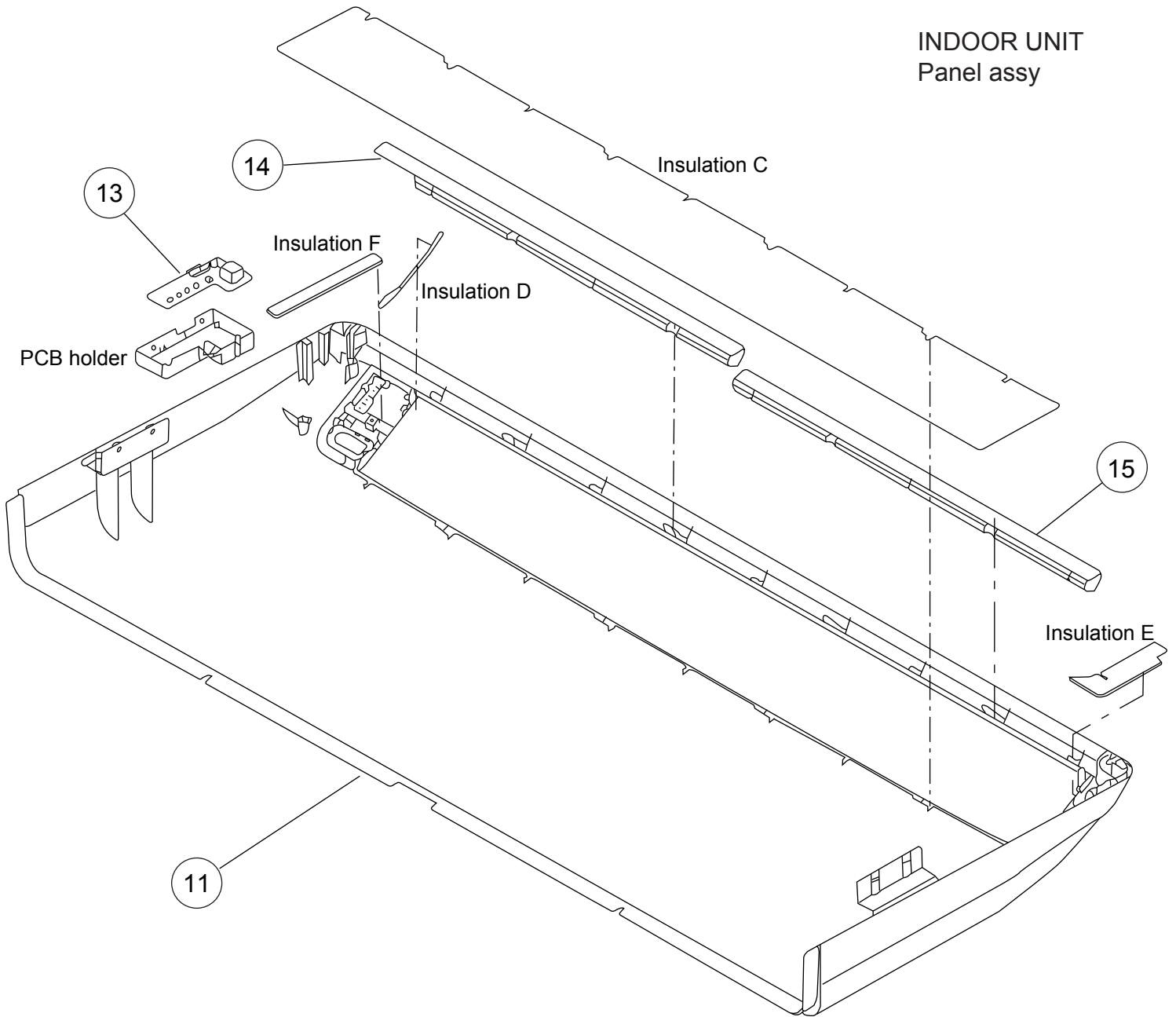
INDOOR UNIT



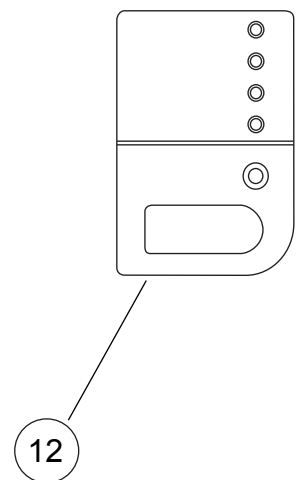
Ref.	Description	Part number	
		LAT	LBT
1	Remote Control	9315885012	9315885012
2	Remote Control Holder	9305642045	9305642045
3	Top Cover	9358534014	9358534021
4	Arm	9358565001	9358565001
5	Hanger Bracket L	9358596005	9358596005
6	Hanger Bracket R	9358595008	9358595008
7	Cosmetic Panel R	9358535011	9358535028
8	Cosmetic Panel L	9358536018	9358536025



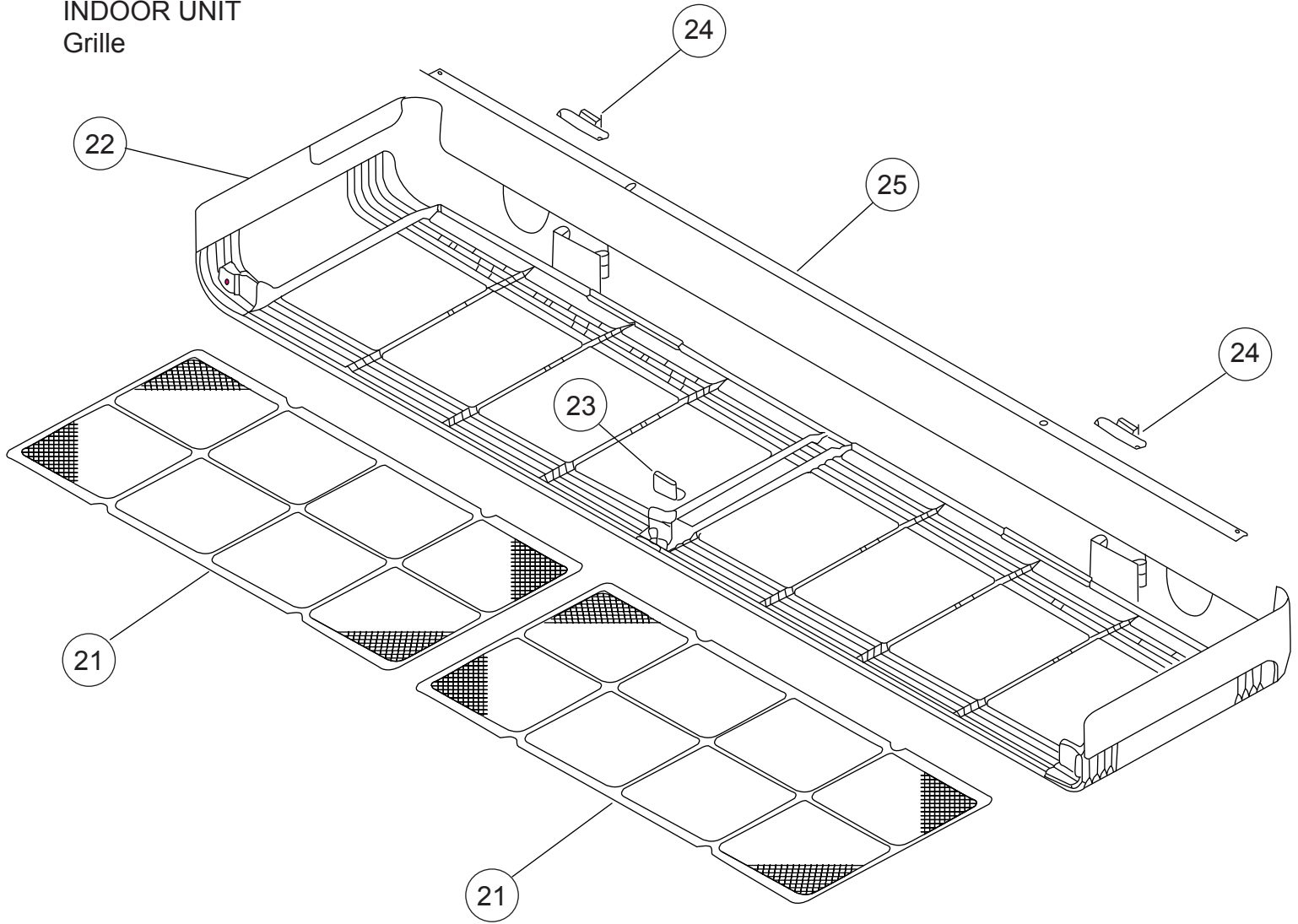
INDOOR UNIT
Panel assy



Ref.	Description	Part number	
		LAT	LBT
11	Panel	9358531150	9358531167
12	Side Cover R Assy	9359069041	9359069072
13	Indicator PCB Assy	9705798052	9705798069
14	Insulation (Panel) A	9358574003	9358574003
15	Insulation (Panel) B	9358914007	9358914007
--	Panel Assy (with side cover R)	9359076186	9359076247

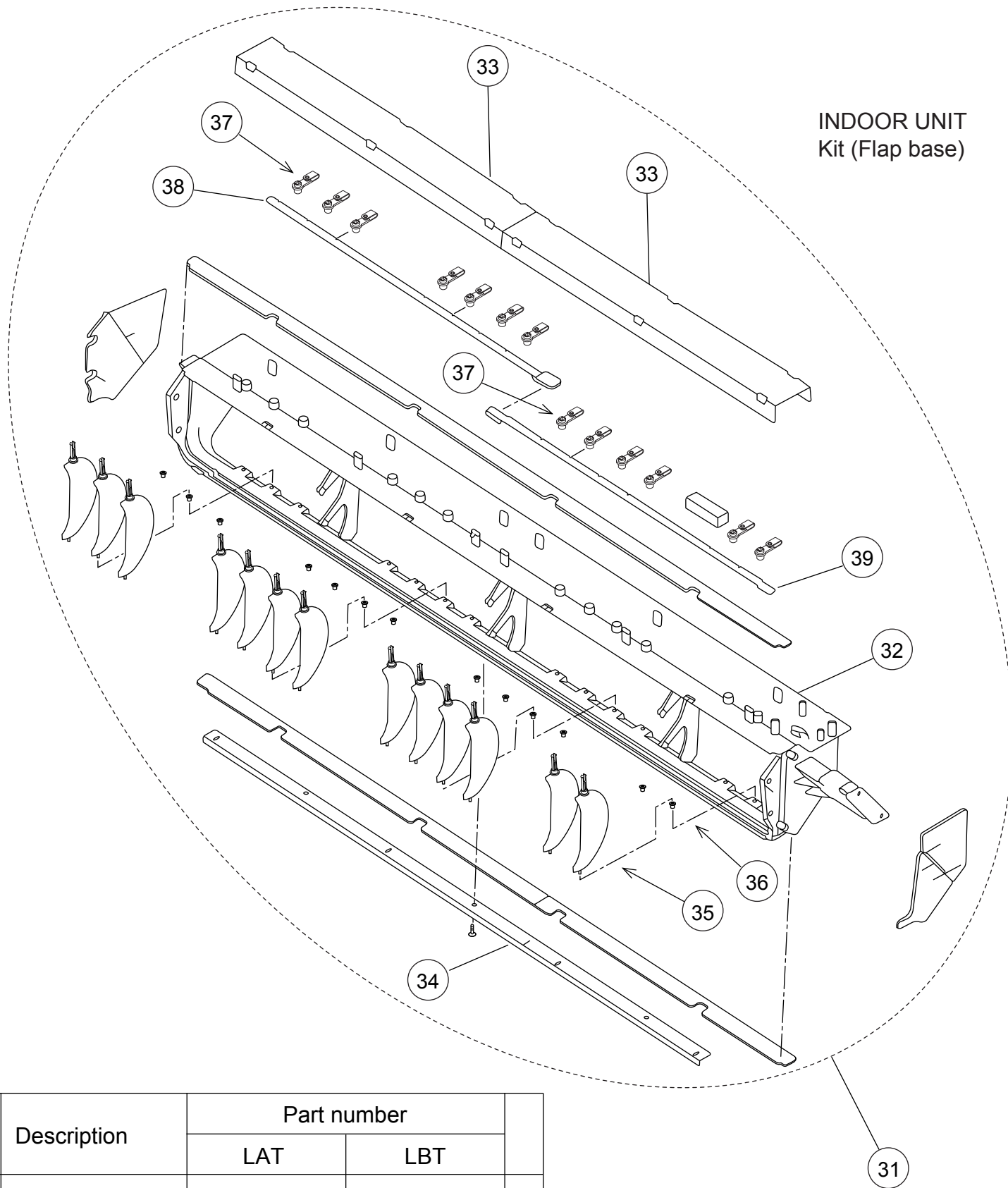


INDOOR UNIT
Grille



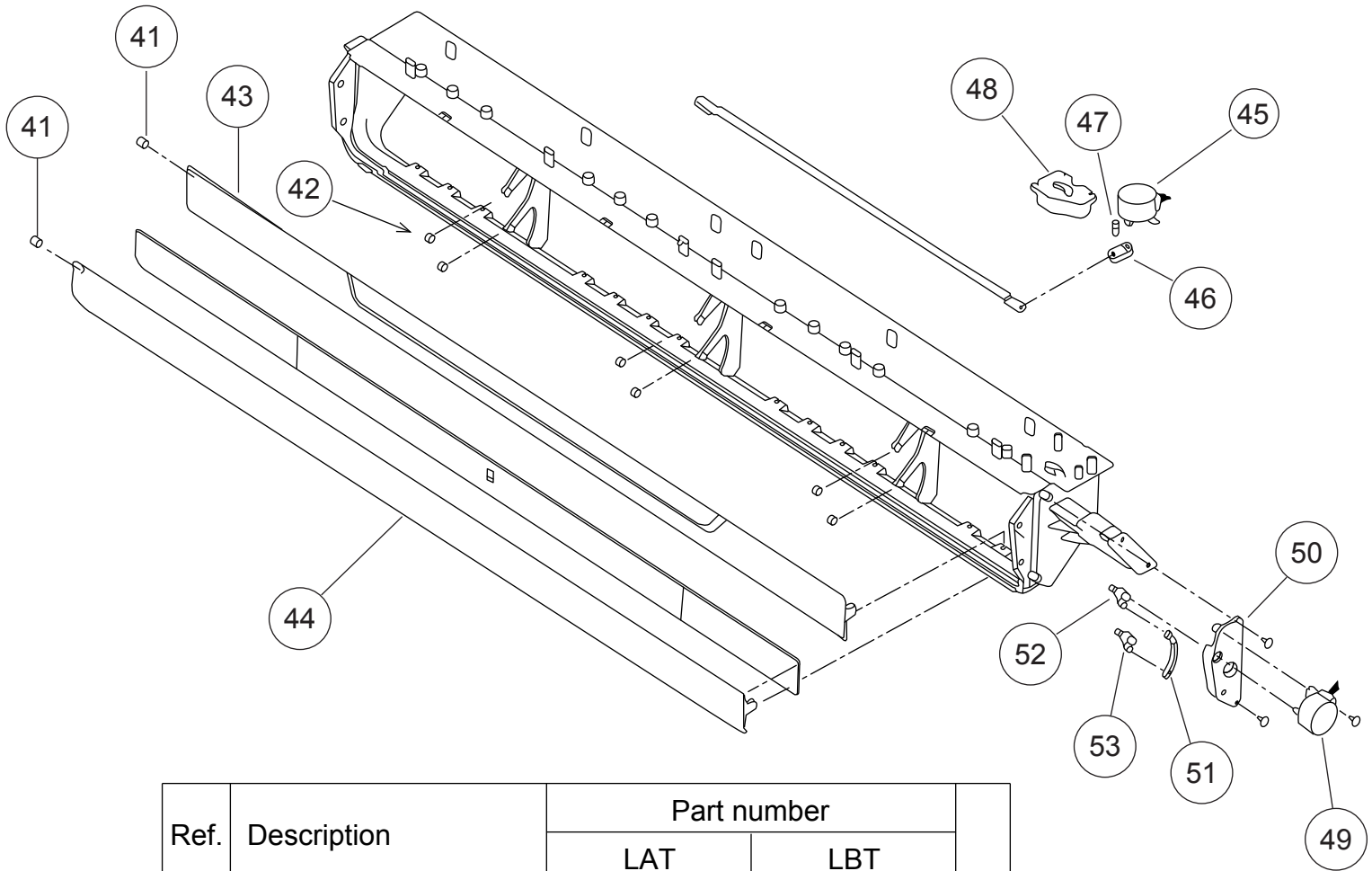
Ref.	Description	Part number	
21	Air Filter	9358567029	
22	Grill F (LAT)	9358532010	
22	Grill F (LBT)	9358532027	
23	Arm Bracket	9359281009	
24	Grille Support	9358602003	
25	Filter Bracket	9358607008	

INDOOR UNIT
Kit (Flap base)



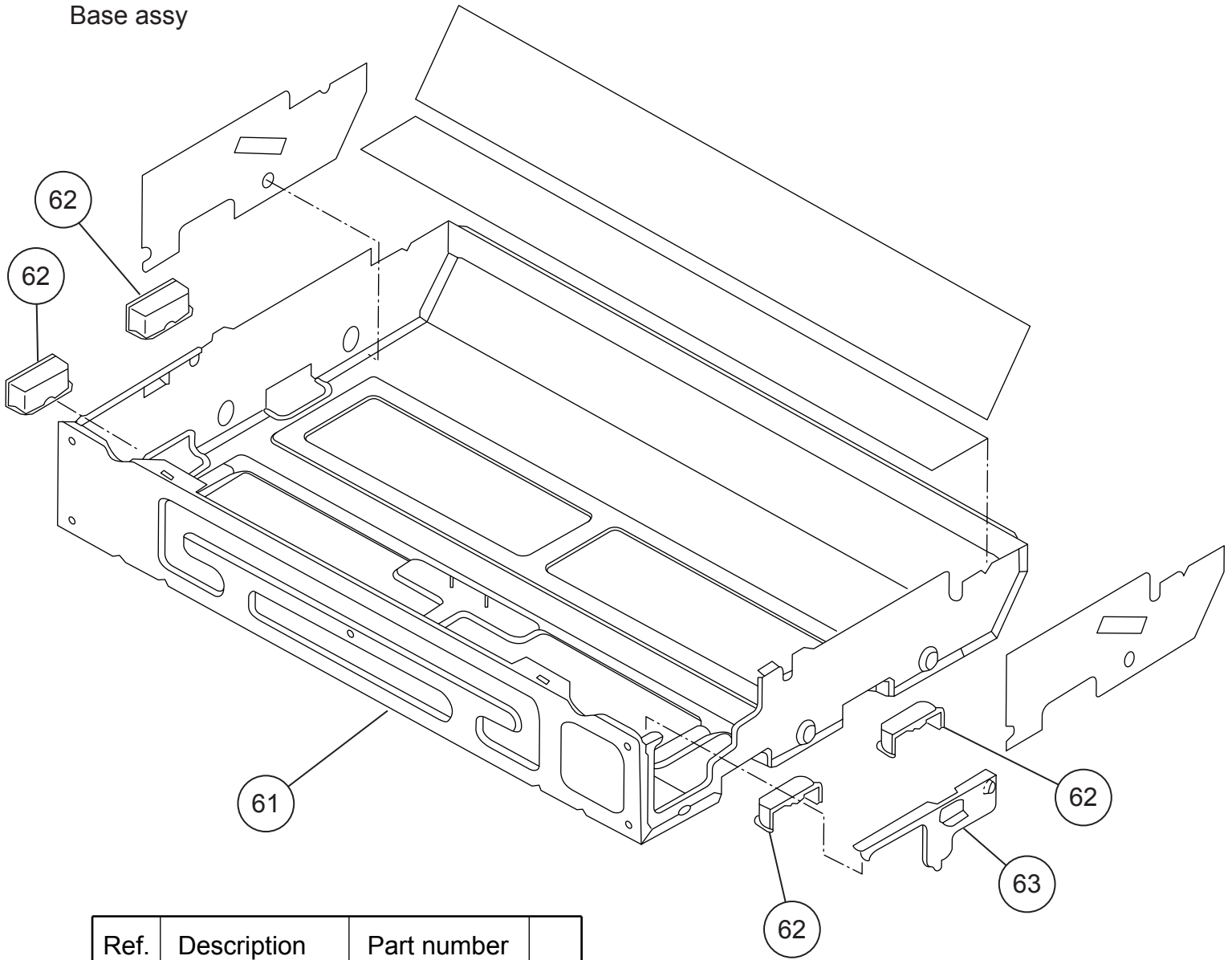
Ref.	Description	Part number	
		LAT	LBT
31	Kit (Flap Base)	9372670019	9372670033
32	Flap Base	9358537015	9358537022
33	Protect Cover	9358564004	9358564011
34	Support Stay	9358599006	9358599006
35	Louver	9358561010	9358561027
36	Bushing B	9358554005	9358554005
37	Louver Stopper	9358555002	9358555002
38	Louver Rod	9358559000	9358559017
39	Motor Rod	9358560006	9358560013

INDOOR UNIT
Flap base sub assy

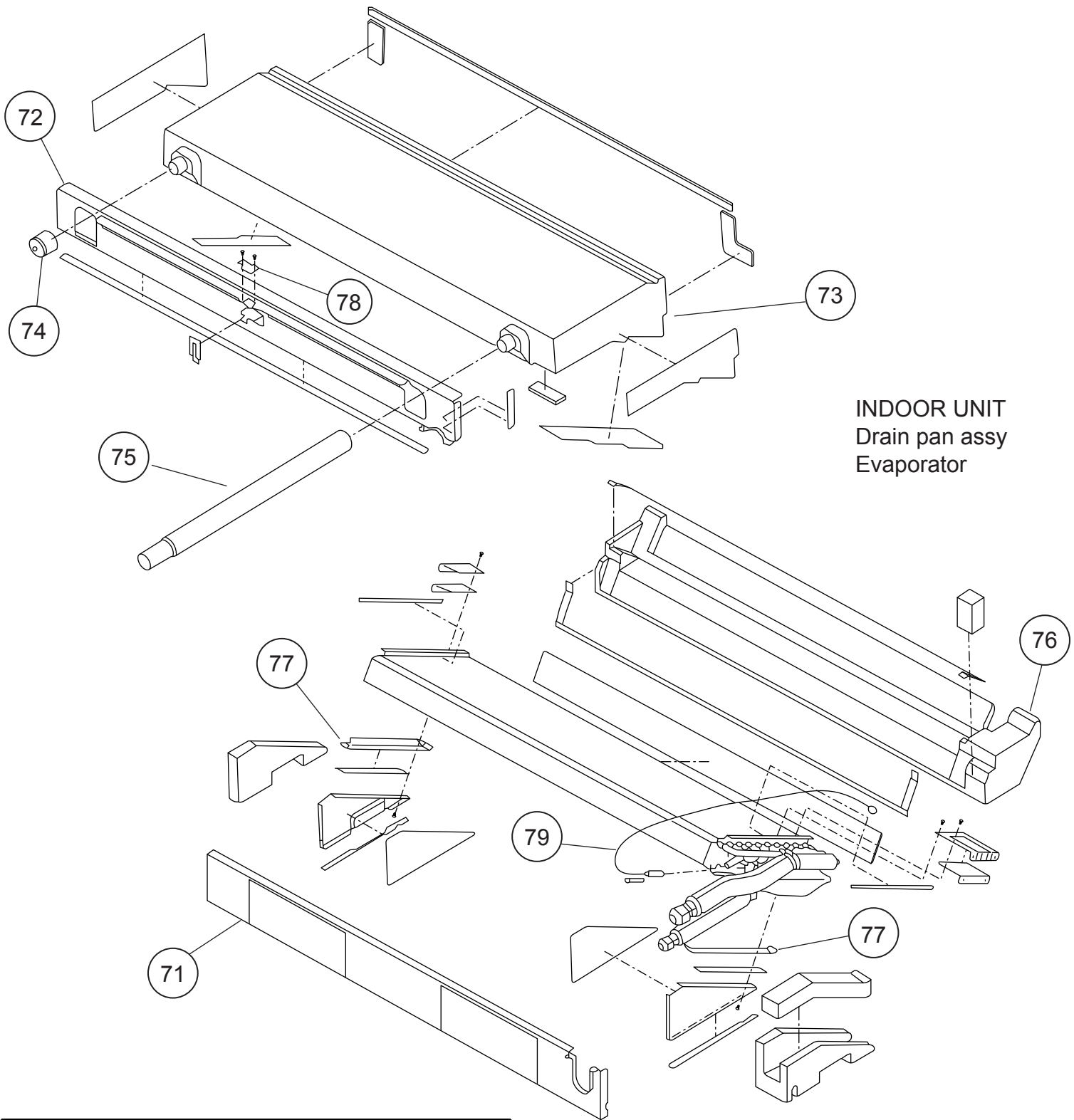


Ref.	Description	Part number	
		LAT	LBT
41	Bushing	9357942001	9357942001
42	Bushing C	9358553008	9358553008
43	Flap (Upper) F	9358538012	9358538029
44	Kit (Flap Lower)	9372671016	9372671023
45	Step Motor H	9900297015	9900297015
46	Louver Link	9358556009	9358556009
47	Louver Shaft	9358557006	9358557006
48	Louver Link Cover	9358558003	9358558010
49	Step Motor-V	9900362010	9900362010
50	Motor Base	9358562000	9358562017
51	Motor Rod-A (Step V)	9358550007	9358550007
52	Flap Link-Upper (Step V)	9358551004	9358551004
53	Flap Link-Lower (Step V)	9358552001	9358552001

INDOOR UNIT
Base assy



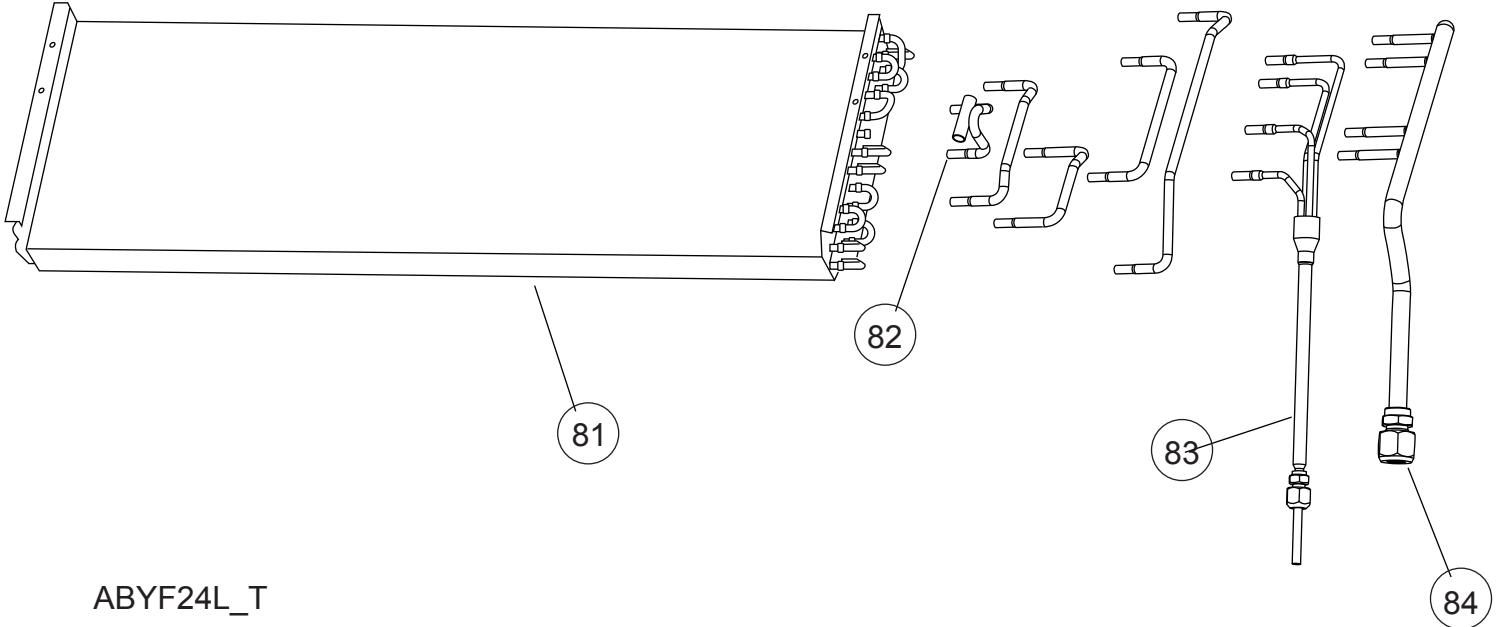
Ref.	Description	Part number	
61	Base Assy	9359061014	
62	Cap	9358563007	
63	Base Bracket	9358586006	



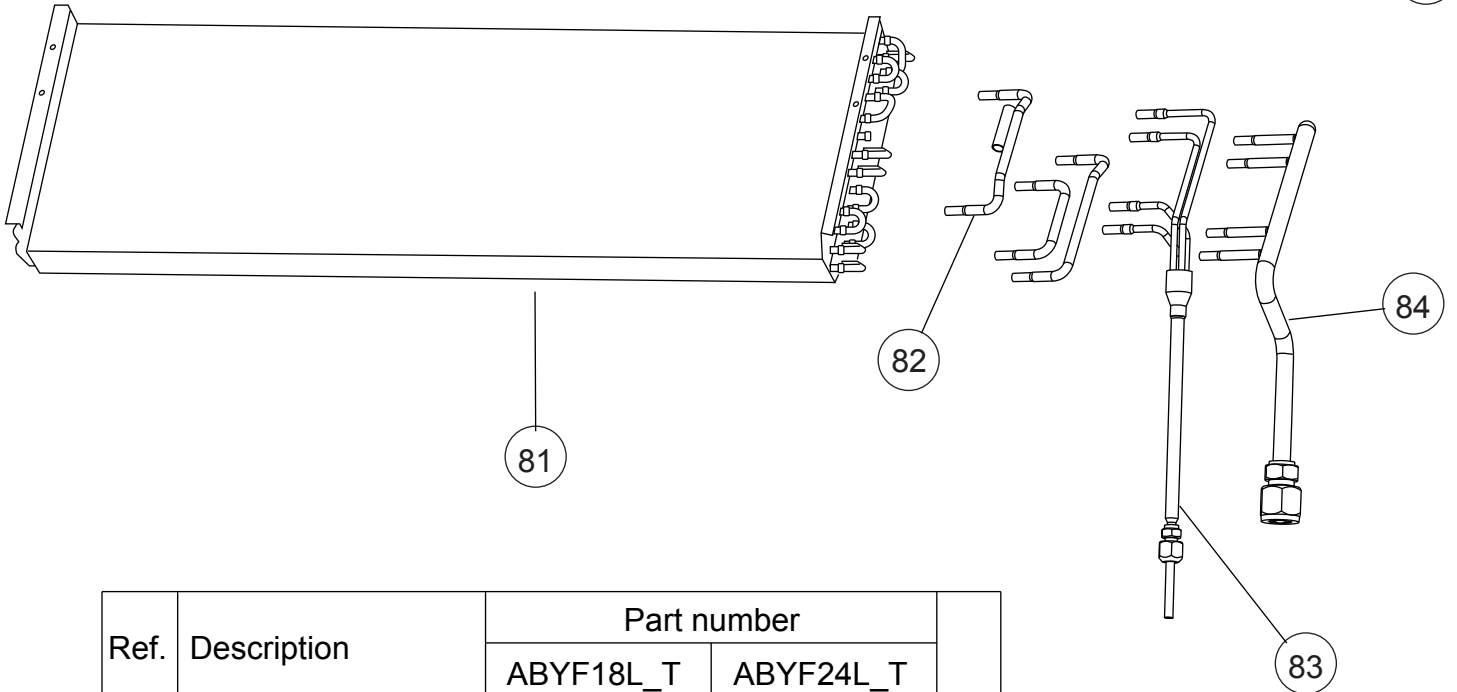
INDOOR UNIT
Drain pan assy
Evaporator

Ref.	Description	Part number
71	Kit (Separate Wall A)	9372666012
72	Kit (Separate Wall B)	9373448013
73	Kit (Drain Pan Assy)	9372669013
74	Drain Cap	9358746004
75	Drain Hose Assy	9359242000
76	Kit (Insulation Flap Base)	9372672013
77	Kit (Dew Proof Plate)	9372673010
78	Catch	9359096009
79	Pipe Thermistor	9900022020

INDOOR UNIT
 ABYF18L_T
 Evaporator

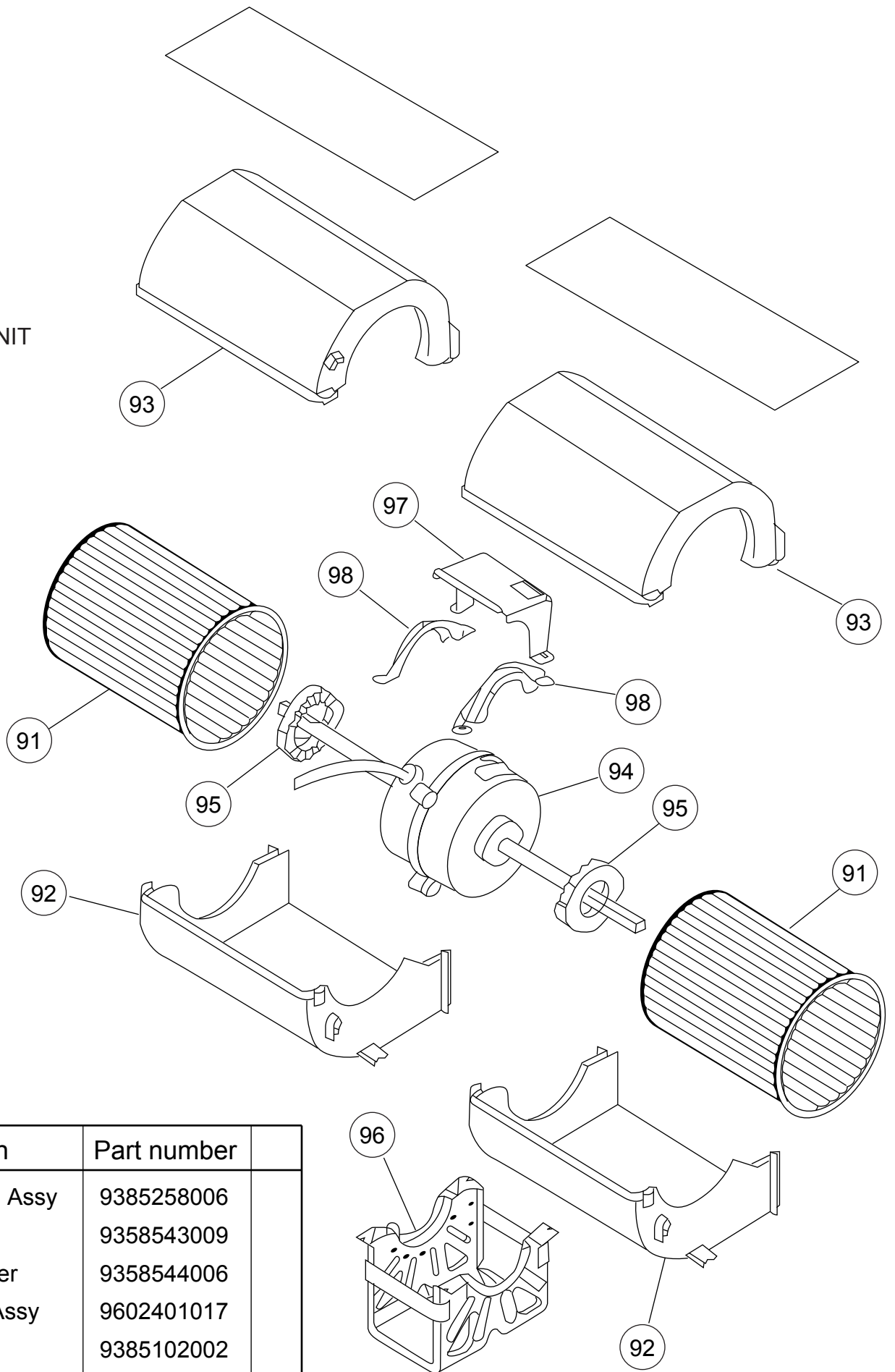


ABYF24L_T



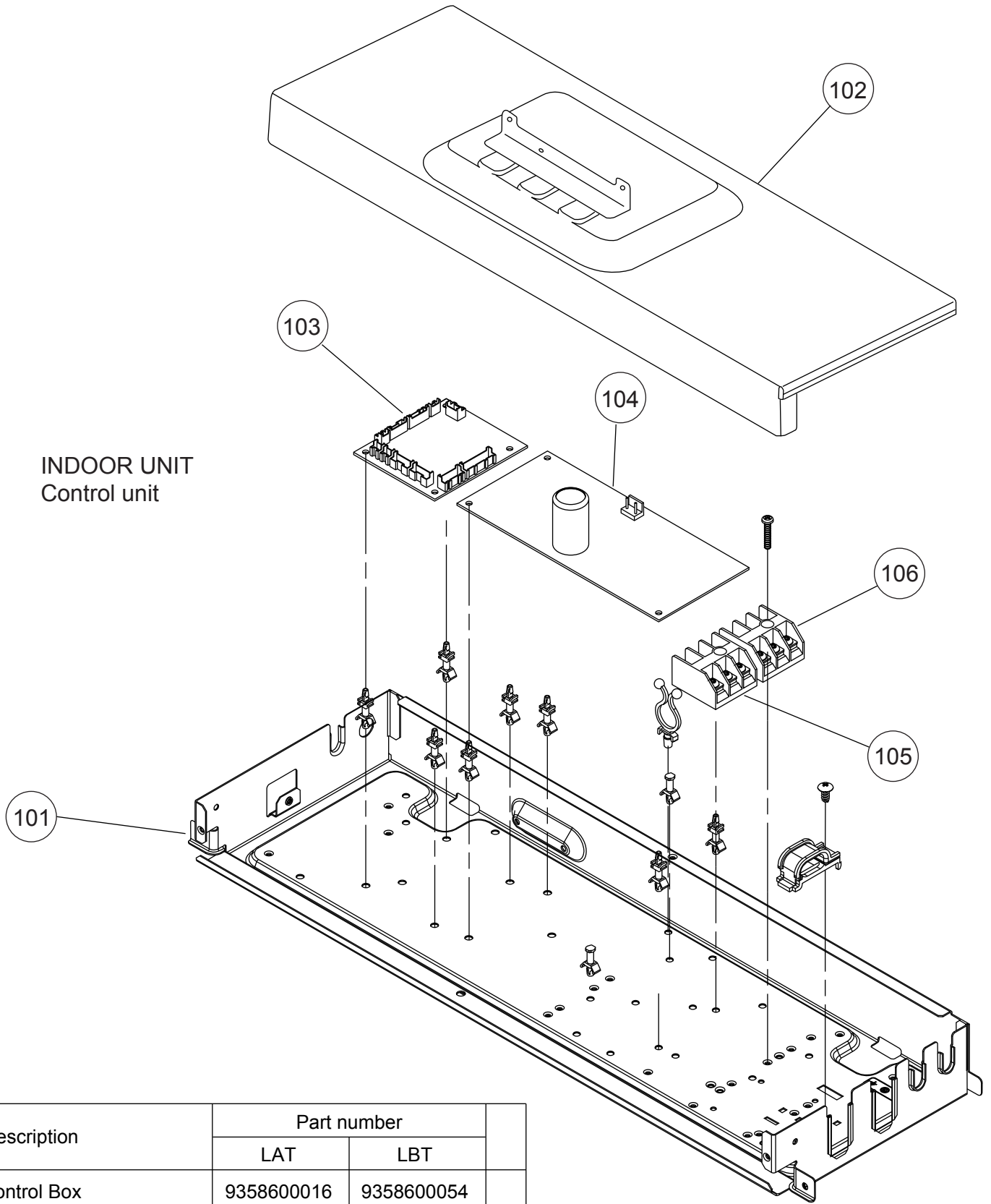
Ref.	Description	Part number	
		ABYF18L_T	ABYF24L_T
81	Evaporator Assy	9362513043	9362513050
82	Bypass Pipe Assy	9377819017	9377821010
83	Distributor Assy	9371325354	9371325361
84	Coupling Pipe Assy	9373038382	9373038399

INDOOR UNIT
Fan motor



Ref.	Description	Part number	
91	Sirocco Fan Assy	9385258006	
92	Casing	9358543009	
93	Casing Cover	9358544006	
94	Fan Motor Assy	9602401017	
95	Rubber	9385102002	
96	Motor Fixing Table	9358591000	
97	Protector	9359282006	
98	Motor Fixture	9358594001	

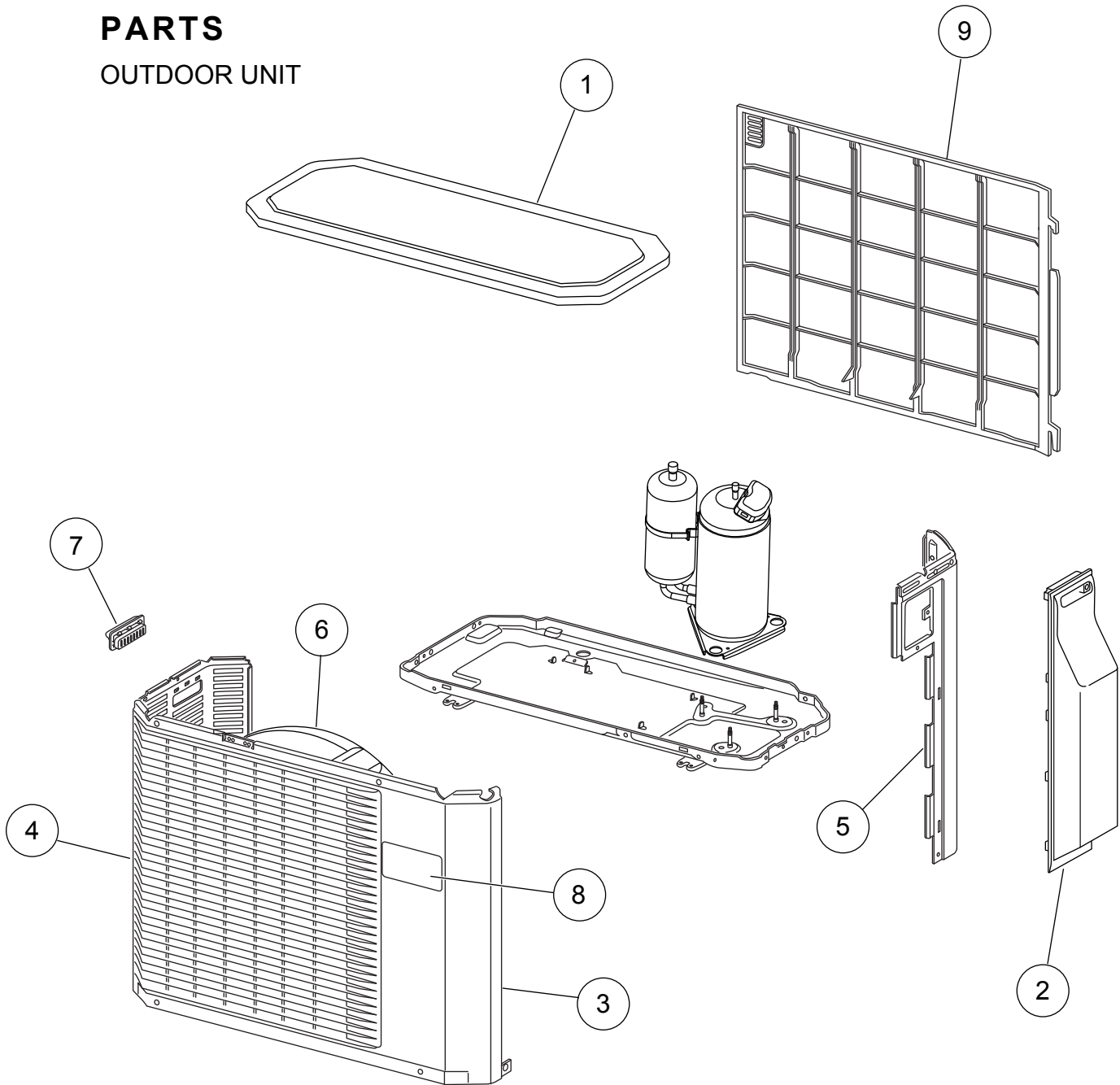
INDOOR UNIT
Control unit



Ref.	Description	Part number	
		LAT	LBT
101	Control Box	9358600016	9358600054
102	Control Box Cover Assy	9359097006	9359097006
103	Controller PCB Assy (18)	9707393347	9707393569
103	Controller PCB Assy (24)	9707393354	9707393545
104	Power Supply PCB Assy	9707398014	9707398113
105	Terminal 3P	9306489045	9306489045
106	Terminal 3P	9703345012	9703345012
--	Room Thermistor Assy	9703299087	9703299087

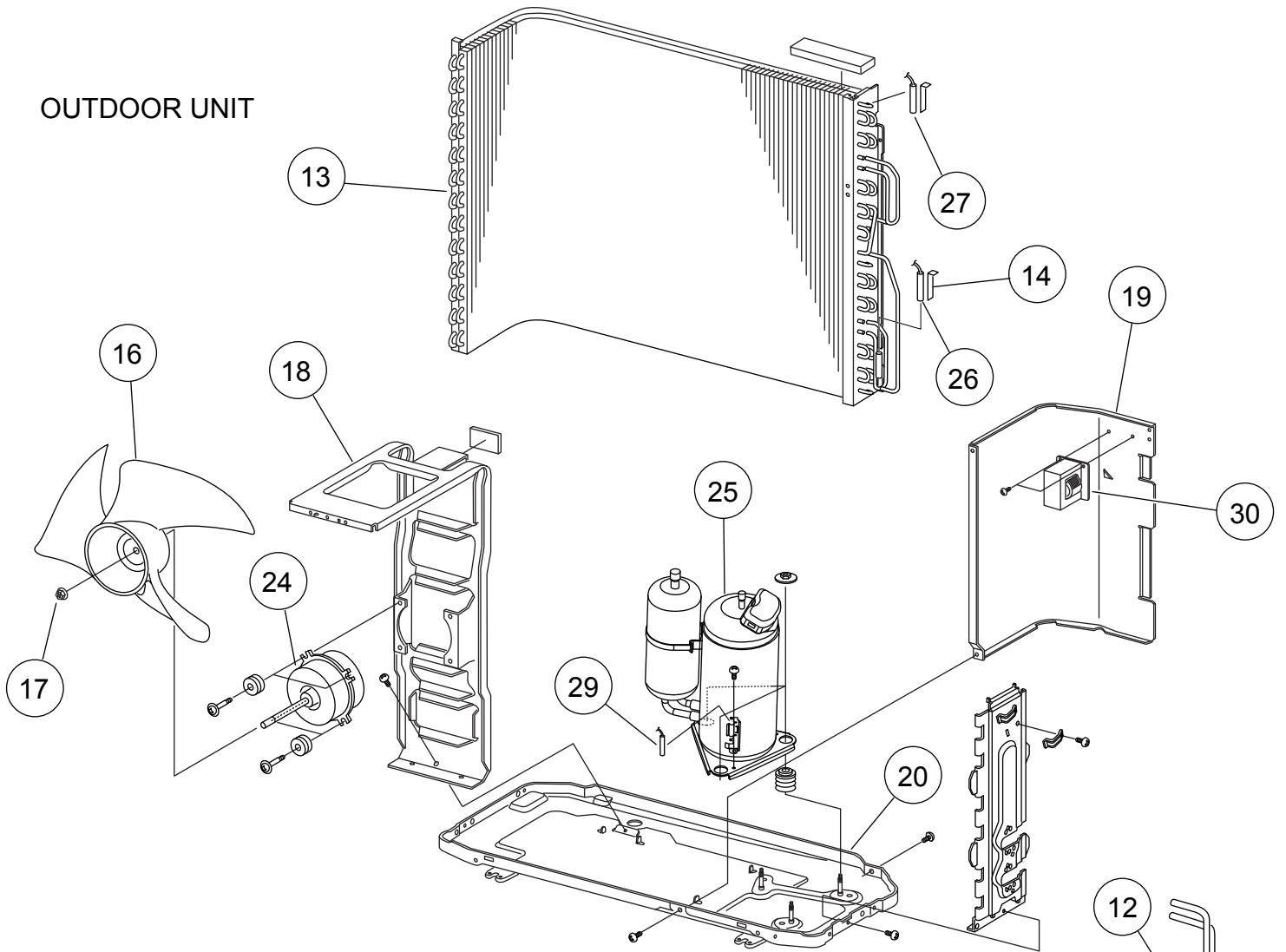
PARTS

OUTDOOR UNIT

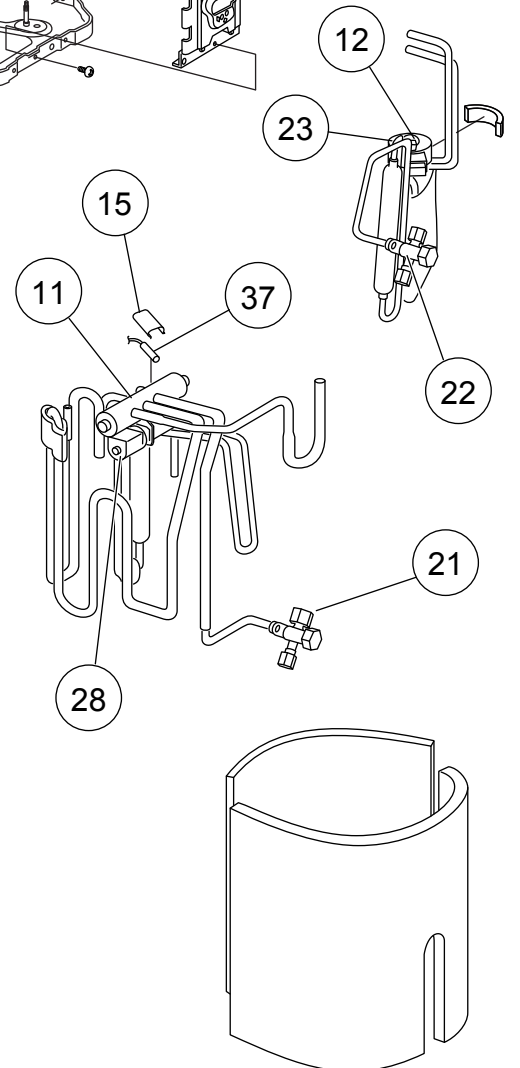


Ref.	Description	Part number	
		AOY_18LA_L	AOY_24LA_L
1	Top Panel Assy	9309230057	9309230057
2	Cover (Switch) Assy	9309237032	9309237032
3	Cabinet Assy	9314809040	9314809019
4	Blow Down Grille	9308884015	9308884015
5	Cabinet Right Assy	9309236011	9309236028
6	Fan Ring	9308885012	9308885012
7	Grip	9308880017	9308880017
8	Emblem	9315210012	9315210012
9	Protective Net	9315319012	9315033017

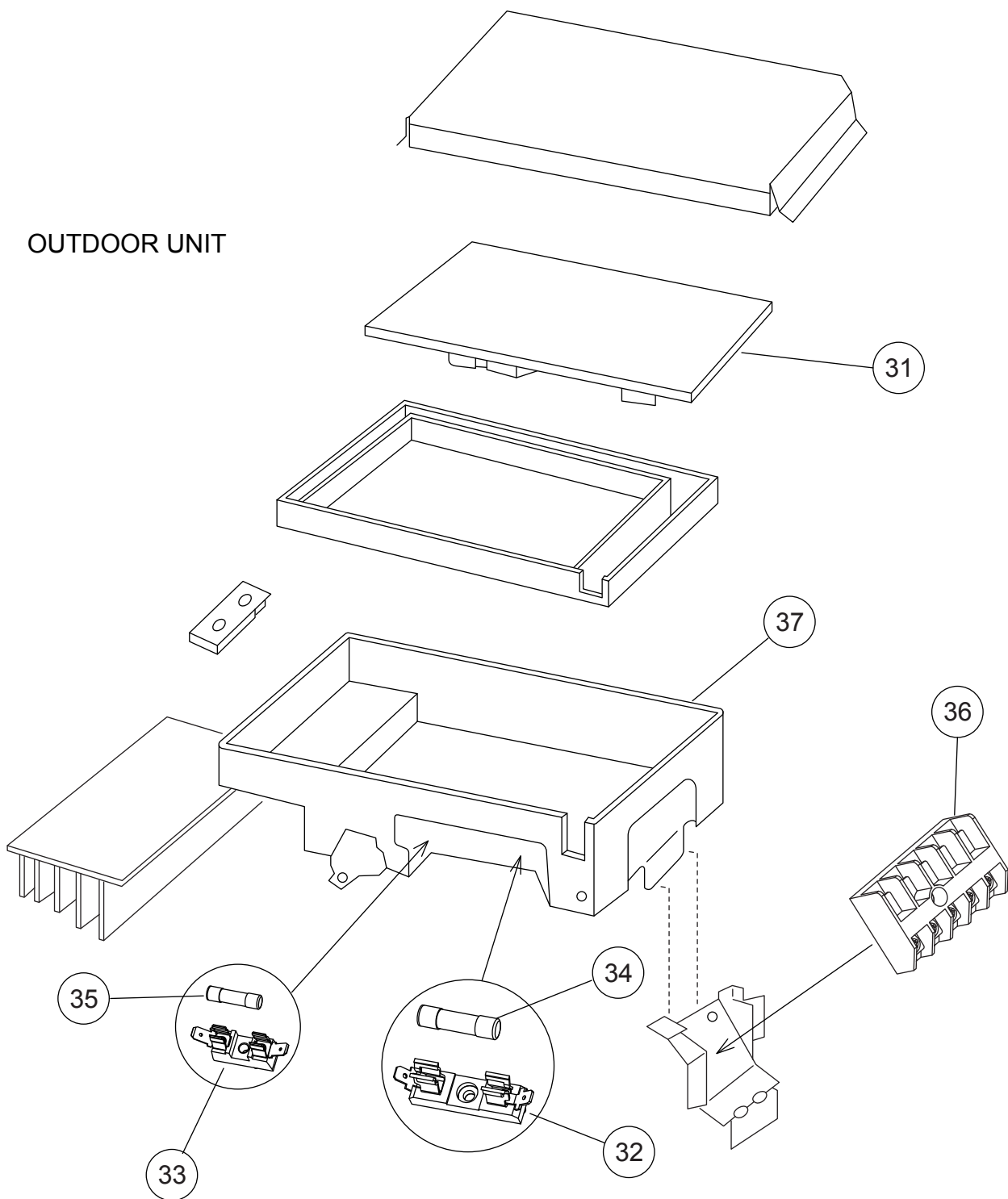
OUTDOOR UNIT



Ref.	Description	Part number	
		AOY_18LA_L	AOY_24LA_L
11	4-Way Valve	9900047016	9900163013
12	Pulse Motor Valve Assy	9311641018	9315310019
13	Condenser Assy	9311382027	9315302014
14	Thermistor Spring A	313728262708	313728262708
15	Thermistor Holder	9300089012	9357804002
16	Propeller Fan	9309909014	9309909014
17	Nut	9304902003	9304902003
18	Motor Bracket	9308872012	9308872029
19	Separator Assy	9312971015	9312971015
20	Base Assy	9308869081	9315296030
21	3-Way Valve Assy	9970092015	9315414014
22	2-Way Valve Assy	9970093012	9313062019
23	Expansion Valve Coil	9900057039	9900057039
24	Fan Motor	9602133017	9602451012
25	Compressor Assy	9313763039	9315297037
26	Thermistor Assy	9900148027	9900148027
27	Heat Exchanger Thermistor	9900403010	9900403010
28	Solenoid Coil	9970033018	9970055010
29	Compressor Thermistor	9900156046	9900156046
30	Reactor Assy	9900354015	9900354015
--	Outdoor Thermistor	9900210045	9900210045
--	Condenser Assy B	---	9315303011




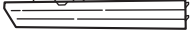

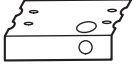

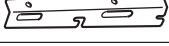
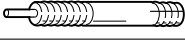


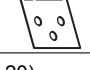



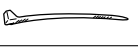

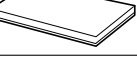



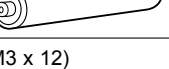

OUTDOOR UNIT



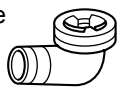
Ref.	Description	Part number
31	Inverter PCB Assy (AOYA18)	9707427011
31	Inverter PCB Assy (AOYB18)	9707427110
31	Inverter PCB Assy (AOYA24)	9707427028
31	Inverter PCB Assy (AOYB24)	9707427127
32	Fuse Holder	0501454012
33	Fuse Holder	0501456016
34	Fuse	0600382018
35	Fuse	0600372163
36	Terminal	9703874031
37	Inverter Case Assy	9315690012

ACCESSORIES

INDOOR UNIT

Name and Shape	Q'ty	Application	Part number
Cosmetic Panel-L 	1		9358536018
Cosmetic Panel-R 	1		9358535011
Screw (M4 x 10) 	2		0700009037
Installation template 	1	For positioning the indoor unit. For under ceiling type.	9359107002
Hanger bracket (left) 	1	For suspending the indoor unit from ceiling.	9358596005
Hanger bracket- (right) 	1		9358595008
Anchor bolt (M12) 	4		313806339400
Special nut 	4		
Spring washer 	4		0700007125
Wall bracket 	2	For suspending the indoor unit on the wall.	9358597002
Screw (M4 x 20) 	6	For fixing the wall bracket.	0700076107
Coupler heat insulator (large) 	1	For indoor side pipe joint. (Large pipe)	9378173552
Coupler heat insulator (small) 	1	For indoor side pipe joint. (Small pipe)	9378173736
Nylon fastener 	1	For fixing the drain hose.	312300787605
Drain hose 	1		9359242000
Insulation (drain hose) 	1	Adhesive type 70 x 230	9359225003
VT wire 	1	For fixing the drain hose L 280 mm	313806350303
Remote control 	1	For air conditioner operation	9315885012
Remote control holder 	1	For installing remote control on the wall	9305642045
Battery 	2	For remote control	0600185541
Screw (M3 x 12) 	2	For mounting the remote control holder	0700019098

OUTDOOR UNIT

Name and Shape	Q'ty	Application	Part number
Drain pipe 	1	For drain piping work.	9303029015

OPTIONAL PARTS

Wired remote control : UTB-YUD (P/N 9076961000)