

Cassette Type SPLIT TYPE AIR CONDITIONER INSTALLATION INSTRUCTION SHEET -FOR INTAKE GRILLE-

(PART NO.9378599017-02)

• This manual relates to the mounting of the stopper for the INTAKE GRILLE. Please adhere to the instructions to ensure safety.

| | |
|---------|---|
| CAUTION | This mark indicates procedures which, if improperly performed, might possibly result in personal harm to the user, or damage to property. |
|---------|---|

| |
|---------|
| CAUTION |
|---------|

- Please refer to the INSTALLATION INSTRUCTION SHEET attached to the indoor unit during installation.
- Let the customer keep this INSTALLATION INSTRUCTION SHEET because it is needed when changing the direction of INTAKE GRILLE or the filter maintenance.
- Do not suspend very heavy weights from the INTAKE GRILLE.

1. STANDARD PARTS

This bag contains the manual and the following parts. Please confirm before operating.

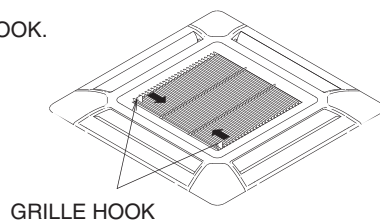
| Name and Shape | Q' ty | Application |
|-------------------------|-------|---|
| L ANGLE | 2 | For mounting the HOOK WIRE to the INTAKE GRILLE |
| HOOK WIRE | 2 | For suspending the INTAKE GRILLE |
| SCREW (PITCH SMALL) | 2 | For mounting the HOOK WIRE (for metals) |
| SCREW (PITCH LARGE) | 4 | For mounting the L ANGLE and HOOK WIRE (for resins) |

2. INSTALLATION PROCEDURE

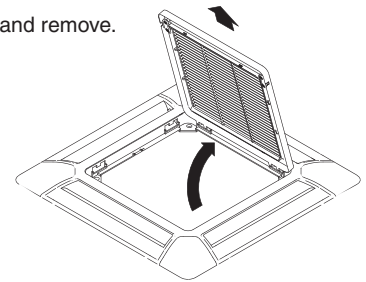
| |
|---|
| CAUTION |
| <ul style="list-style-type: none"> • Please perform this operation before operating the ATTACH THE INTAKE GRILLE of the INSTALLATION INSTRUCTION SHEET attached in the indoor unit. • Please ensure that the screw type is correct. |

① Detach the INTAKE GRILLE.

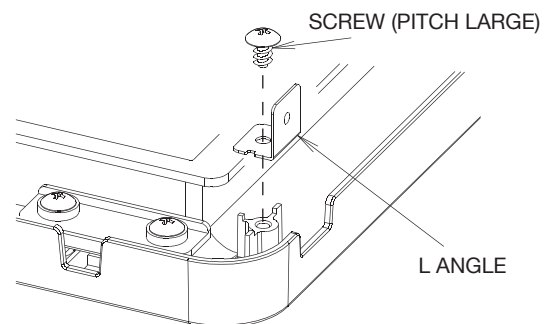
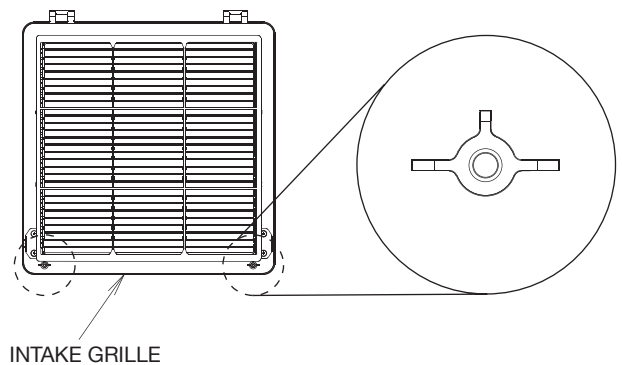
(1) Slide the 2 GRILLE HOOK.



(2) Open the INTAKE GRILLE and remove.



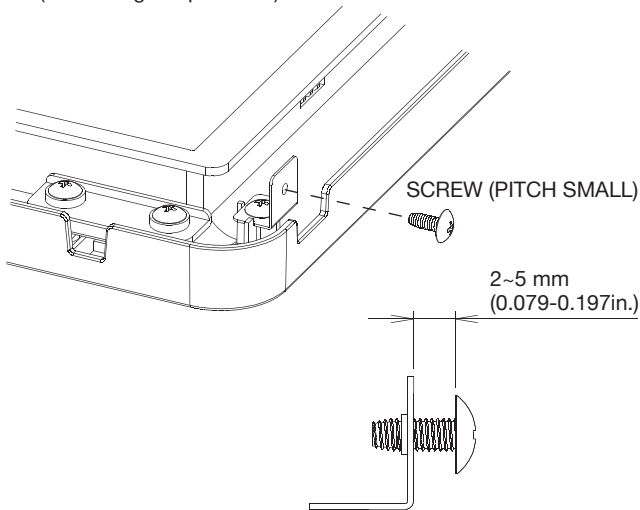
② Mount the L ANGLE at the 2 positions indicated in diagram shown below.



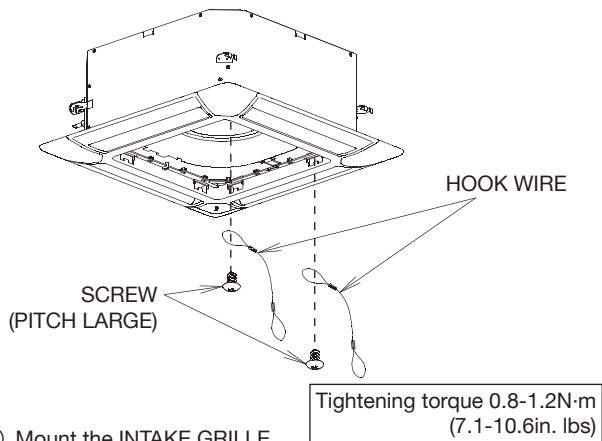
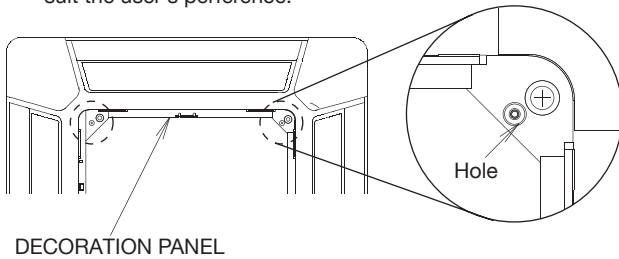
Tightening torque 0.8-1.2N·m
(7.1-10.6in. lbs)

(Continued to the next page)

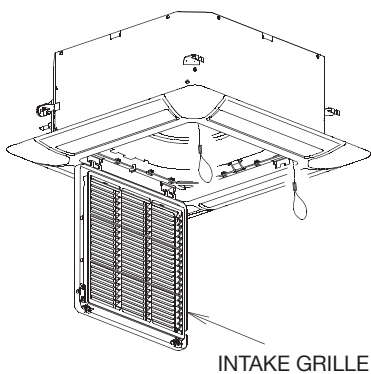
- ③ Tack the screw temporarily to the L ANGLE (left and right 2 positions)



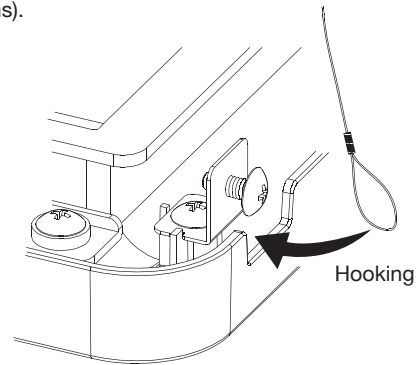
- ④ Attach the HOOK WIRE at the 2 positions indicated in the DECORATION PANEL on the opening side of the INTAKE GRILLE.
- The INTAKE GRILLE can be rotated and installed 4 ways to suit the user's preference.



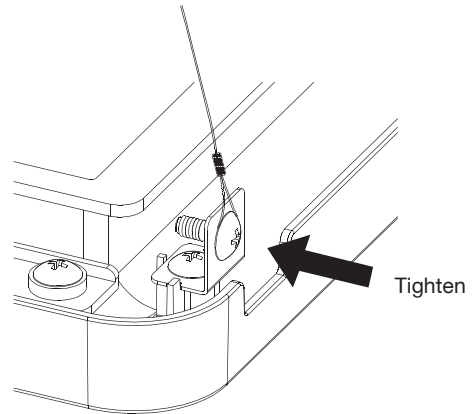
- ⑤ Mount the INTAKE GRILLE



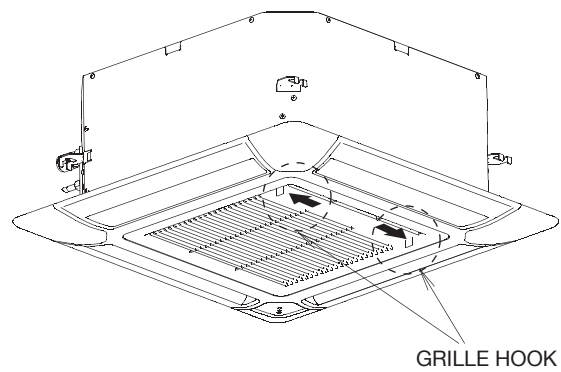
- ⑥ Close the INTAKE GRILLE, and hook the loop of the HOOK WIRE to the attached screw at step ③ (left and right 2 positions).



- ⑦ Fasten the HOOK WIRE and tighten the screw till the end. (left and right 2 positions).



- ⑧ Close the INTAKE GRILLE so that the HOOK WIRE is not fasten, and then, close the GRILLE HOOK.



3. REMOVING PROCEDURE

Follow steps ⑤ to ⑧ of the 2-INSTALLATION PROCEDURE in the reverse.

! NOTE

- To change the direction of the INTAKE GRILLE, go back to step ④ of the 2-INSTALLATION PROCEDURE and change the position of the HOOK WIRE.
- To clean the filter, go back to step ⑤ of 2-INSTALLATION PROCEDURE.