

# Cassette Type WIDE PANEL INSTALLATION MANUAL

(PART NO. 9378869011-02)

For authorized service personnel only.

## ⚠ WARNING

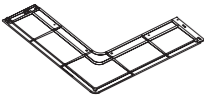


- ① When installing WIDE PANEL, please thoroughly read this installation manual.
- ② Turn off the power until installation is complete. It will cause electric shock.
- ③ When installing WIDE PANEL, please refer to the operating manual and installation manual supplied with the indoor unit.

## ⚠ CAUTION

- ① WIDE PANEL is used by assembling it with a Cassette type room air conditioner. WIDE PANEL cannot be used alone.
- ② Handle WIDE PANEL carefully. Dropping it onto the floor or subjecting it to strong shock will cause erroneous operation or accidents.
- ③ Let the customer keep this installation manual because it is used when the air conditioner is serviced or moved.

## STANDARD PARTS

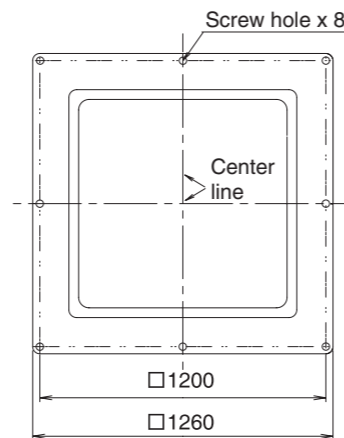
The following installation parts are furnished. Check them before starting installation work.

Name and Shape	Q'ty	Name and Shape	Q'ty
 WIDE PANEL	4	Screw (short) 	20
		Screw(WHITE) (long) 	8

# 1

## PREPARATION BEFORE INSTALLATION

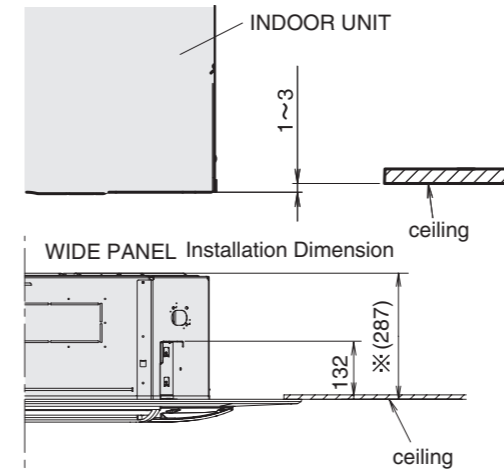
- The size of the ceiling opening must be □1180mm and below.
- There should not be any foreign objects within □1260mm of the WIDE PANEL installation area of the ceiling.
- When it is difficult to tighten the screws due to soft ceiling materials such as plasterboard, locally arrange anchoring parts.
- Tighten the screws on the wide panel as shown in the diagram below.



# 2

## ADJUSTING THE POSITION OF INSTALLATION FOR INDOOR UNIT

Adjust the height of installation for the indoor unit as shown in the diagram below.



※ There are two sets of dimensions for different models.

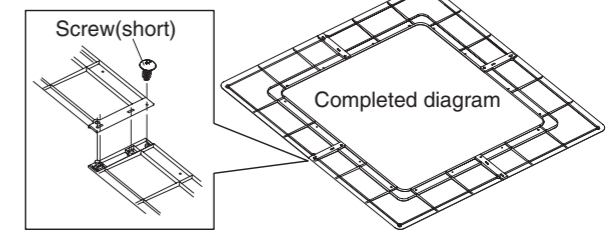
Model	※
18/24L	245
30/36/45/54L	287

Please refer more detail to the instructions on supplied. "INDOOR UNIT INSTALLATION MANUAL."

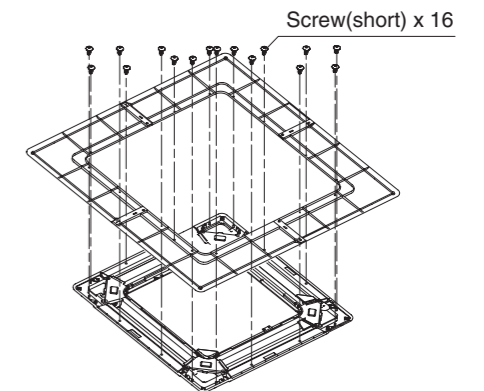
# 3

## INSTALLING THE WIDE PANEL

- (1) Assemble the WIDE PANEL
  - Tighten the screws at 4 locations.



- (2) Secure the WIDE PANEL to the DECORATION PANEL
  - Tighten the screws at 16 locations.

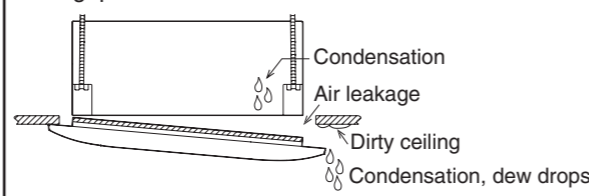


# 4

## INSTALLING DECORATION PANEL and WIDE PANEL TO INDOOR UNIT

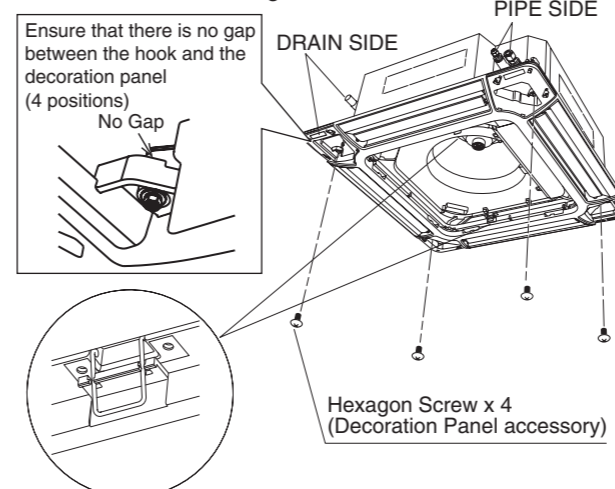
### ⚠ CAUTION

- ① Use only supplied screws to install the decoration panel.
- ② Install so that there is no gap between the decoration panel and the air conditioner body.
- ③ If there is a gap, an error will occur as shown in the diagram below. Tighten the screw securely so that there will not be a gap.



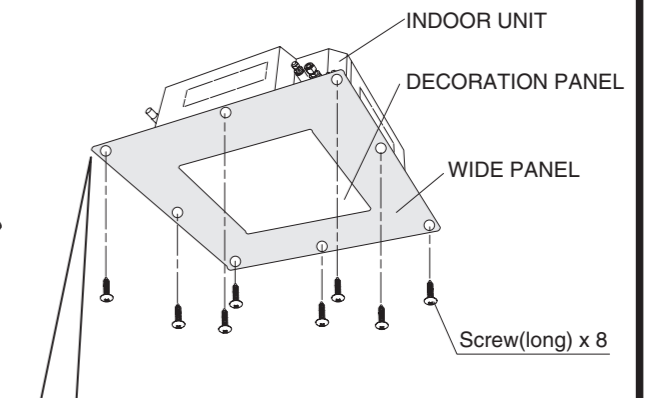
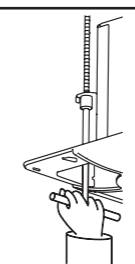
- ① Please refer more detail to the instructions on supplied. "Decoration Panel INSTALLATION MANUAL."
- ② Align the stamped marks on the decoration panel against the pipe and the drain of the indoor unit.
- ③ Temporarily tighten at 2 positions with metal fittings.

- INSTALL with 4 Hexagon Screws.

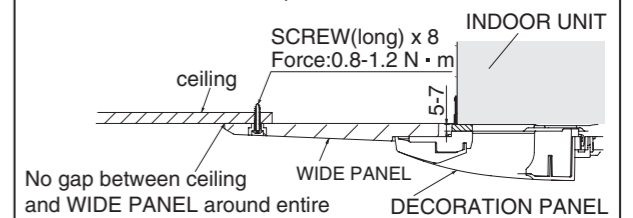


When there is a gap between the ceiling and the decoration panel even when the screw is tightened, readjust the height of the main indoor unit.

As long as it does not affect the levelness of the main indoor unit and the drain piping, you may adjust the height of the main indoor unit from the hole at the corner of the decoration panel, with the decoration panel still attached to the main indoor unit.



Tighten the screw until the seal material between the decoration panel and the main indoor unit is compressed to a thickness of 5-7mm.



No gap between ceiling and WIDE PANEL around entire