

ROOM AIR CONDITIONER

AKY9RAR-W

# SERVICE MANUAL

## CONTENTS

SPECIFICATIONS .....	1
CIRCUIT DIAGRAM .....	2
DISASSEMBLY ILLUSTRATION .....	3
PARTS LIST .....	7

# S P E C I F I C A T I O N S

MODEL		AKY9RAR-W
COOLING CAPACITY	(kW)	2.47
HEATING CAPACITY	(kW)	2.77
HEATING METHOD		Reverse cycle

## ELECTRICAL DATA

POWER SOURCE	(V)		230
FREQUENCY	(Hz)		50
RUNNING CURRENT	(A)	COOLING	4.0
		HEATING	14
INPUT WATTS	(kW)	COOLING	0.92
		HEATING	0.93
E.E.R.	(kW/kW)	COOLING	2.68
		HEATING	2.98

## COMPRESSOR

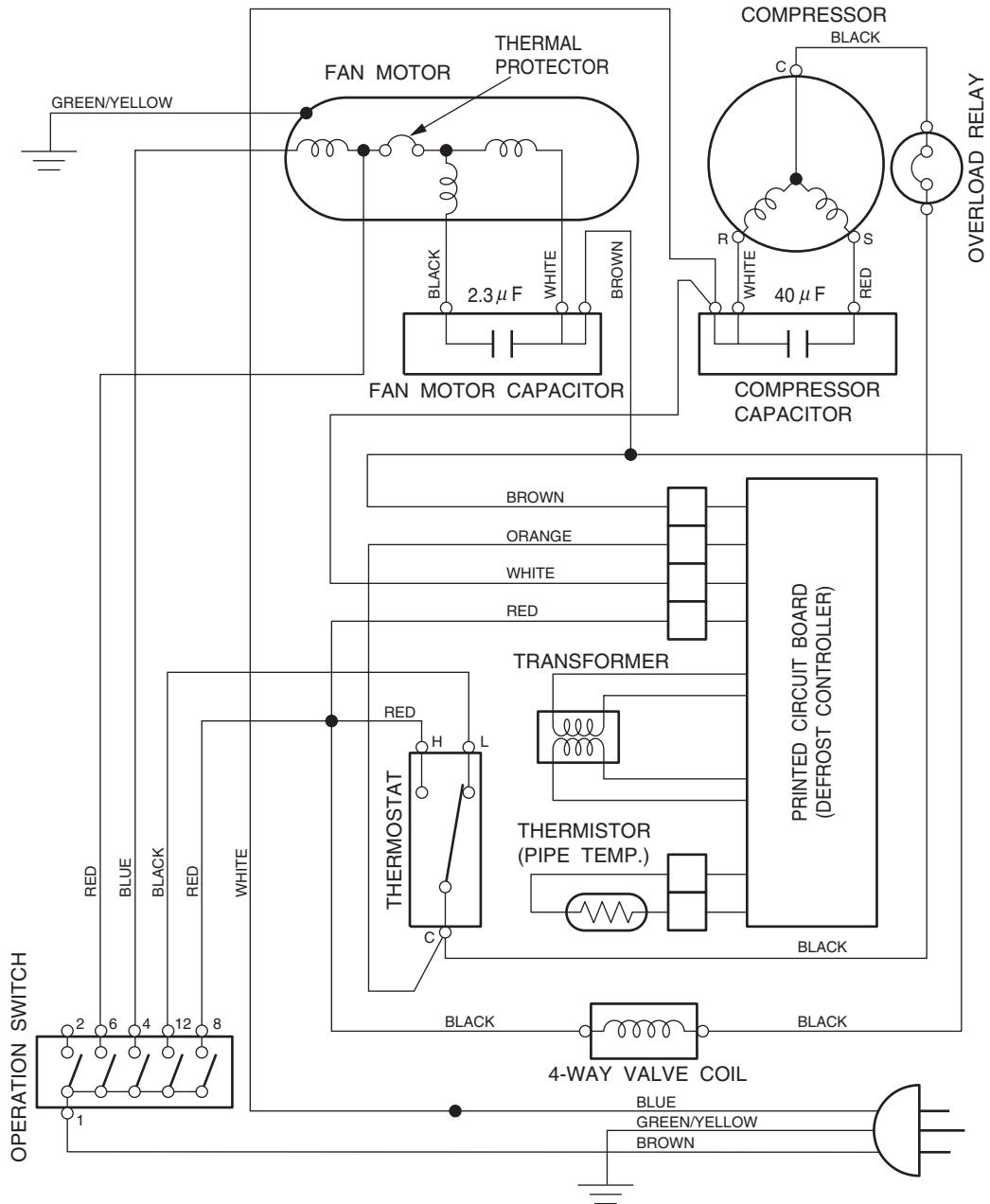
TYPE		Hermetic type, Rotary type
DISCRIMINATION		44R233A
POWER SOURCE		220 - 240V 50Hz
REFRIGERANT	R-22 (g)	720

## FAN MOTOR

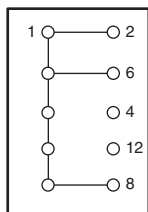
DISCRIMINATION		MFC-09CTT
POWER SOURCE		220 - 240V 50Hz
HIGH POWER	(r.p.m.)	1,120
SUPER QUIET	(r.p.m.)	890

# CIRCUIT DIAGRAM

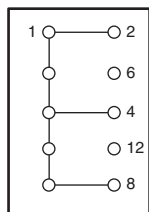
Model : AKY9RAR-W



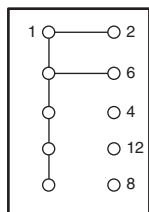
## OPERATION SWITCH INTERNAL CONNECTIONS



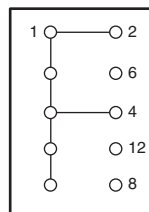
WARM  
HIGH POWER



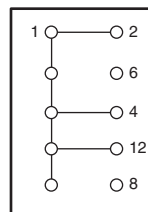
WARM  
SUPER QUIET



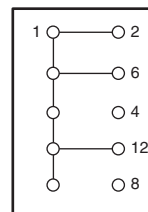
HIGH FAN



LOW FAN

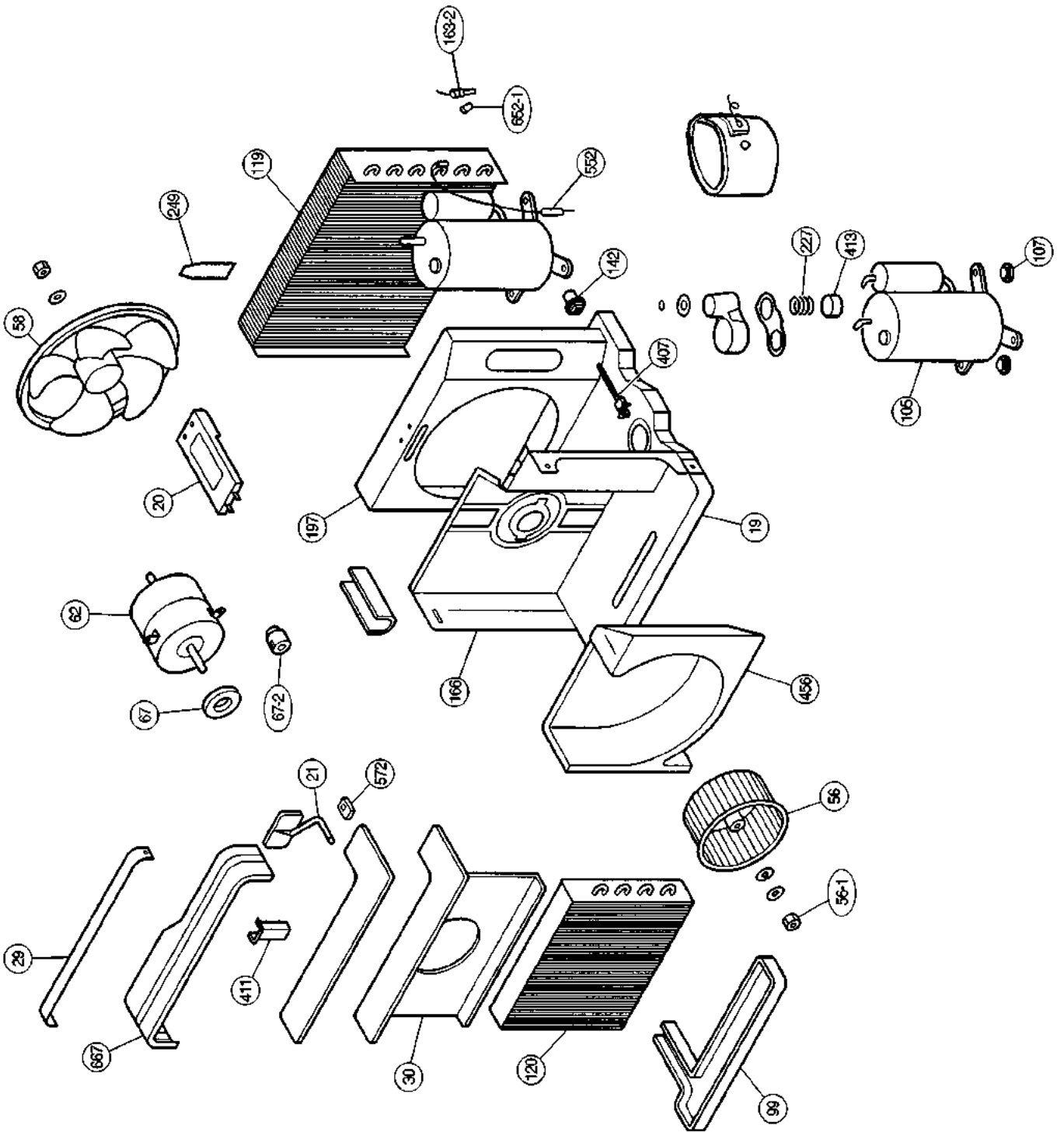


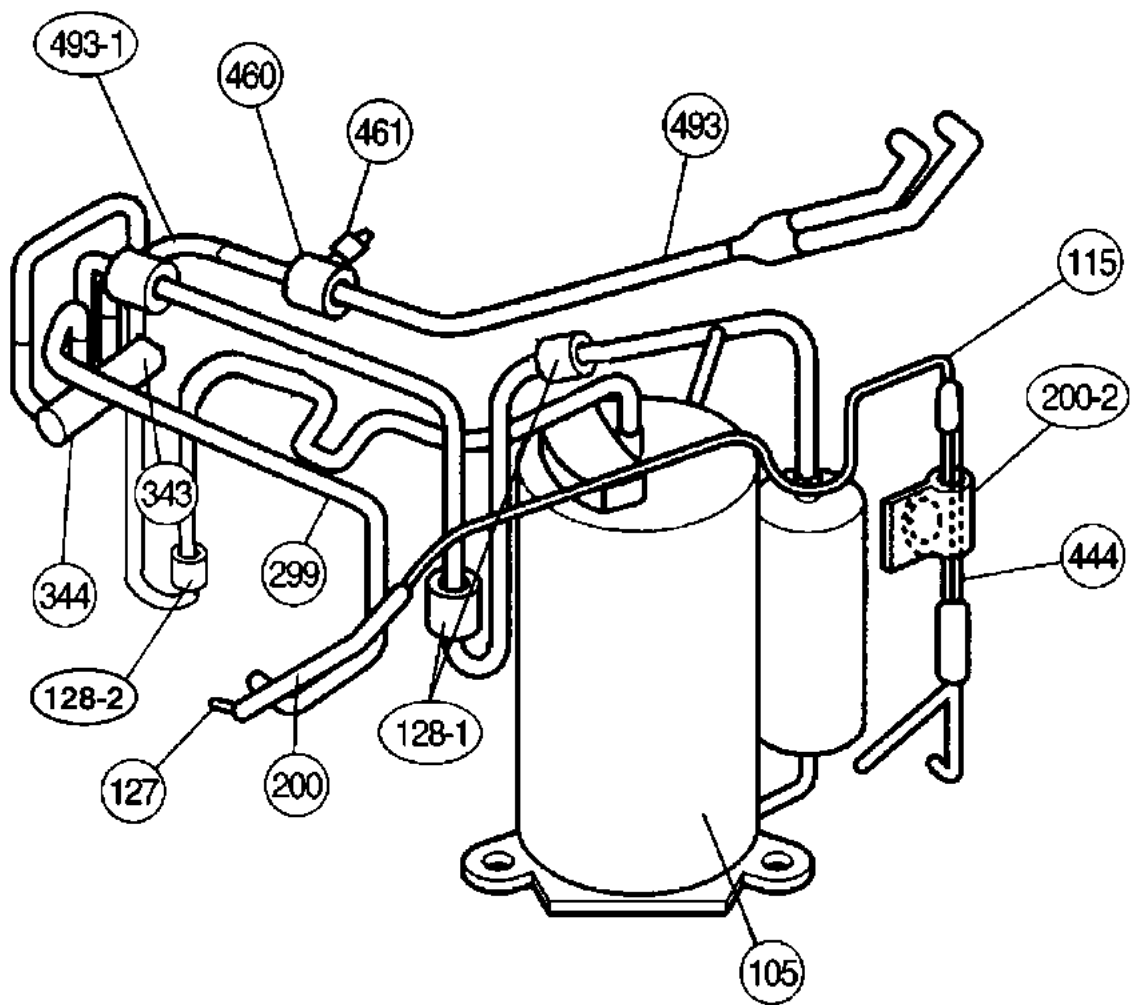
COOL  
SUPER QUIET

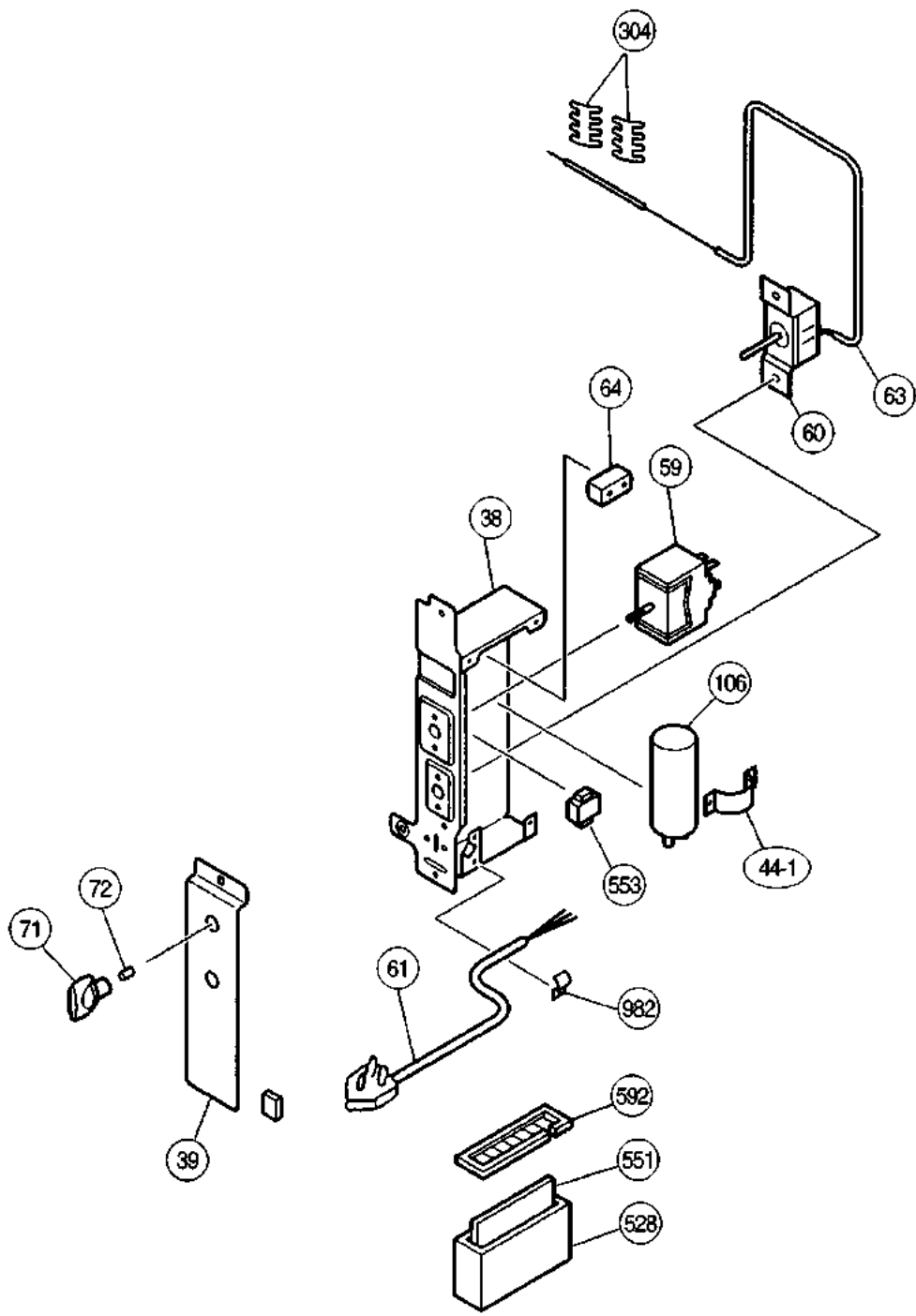


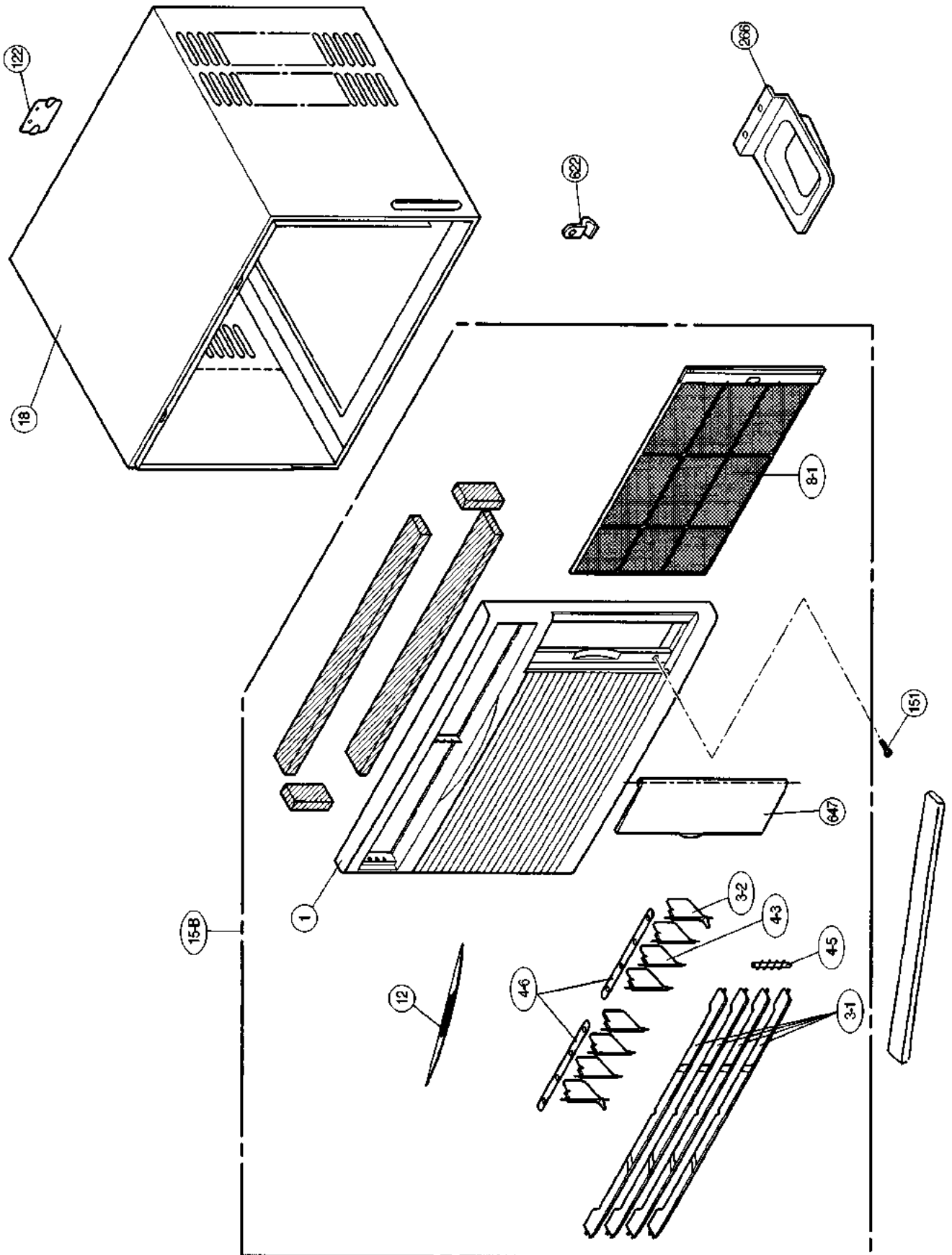
COOL  
HIGH POWER

# DISASSEMBLY ILLUSTRATION









# PARTS LIST

## FRONT PANEL PARTS

Ref. No.	Description	Part No.	Ord. Qty
1	Front panel	9358096024	
3-1	Louver-A	9358099018	
3-2	Louver-C	9358101018	
4-3	Louver-B	9358100011	
4-5	Connecting Plate-A	9358102015	
4-6	Connecting Plate-B	9358103012	
8-1	Filter Assy	9358098028	
15-B	Front Panel Assy	9358865064	

## CABINET & CHASSIS PARTS

Ref. No.	Description	Part No.	Ord. Qty	Ref. No.	Description	Part No.	Ord. Qty
18	Cabinet Assy	9389020067		127	Inlet Pipe-B	313564019206	
19	Base Assy	9389017173		128-1	Rubber (Discharge Pipe)	313155086308	
20	Supporter-C	9358091005		151	Front Panel Screw	313306389909	
21	Exhaust Air Damper	9358094020		163	Thermostat Spring-A	313728262708	
29	Supporter-B	9358089002		166	Separate Wall Assy	9358114032	
30	Blower Mouth	9358084007		197	Wind Guide Board	9358092026	
38	Switch Box-A Assy	9358335017		200	BR Sheet-B	313806108302	
39	Switch Panel	9358134078		200-2	BR Sheet-B (65 x 130 x T5)	9351990022	
44-1	Capacitor Band (Running Capacitor)	313106061706		227	Terminal Spring	9359885016	
56	Sirocco Fan	9358107010		249	Dew Proof Plate	313106041504	
56-1	Nut for Sirocco Fan	9358135006		266	Drain Boat	313681252701	
58	Propeller Fan	9358106013		299	Suction Pipe-B	313565098706	
59	Operation Switch	9351214029		304	Thermostat Fixture-B	313349051500	
60	Thermostat	9354392007		343	Solenoid Coil	9970027017	
61	Power Cord Assy	9358309025		344	4-Way Valve	9970010019	
62	Fan Motor Assy	9601077046		407	Clip No. 1259	313739340109	
63	Protection Tube-B (Thermostat)	313152149608		411	Supporter-A	9358115015	
64	Capacitor (Fan Motor)	9703306105		413	Overload Relay	9371270005	
67	Rubber (Vibration-proof)	313106068602		444	Capillary Assy	9385255012	
67-2	Rubber-B (Vibration-proof)	9358306000		456	Casing	9358082003	
71	Thermostat Knob	9358105023		460	Suction Pipe Fixture-B	313592374404	
72	Knob Spring (Thermostat Knob)	313008061010		461	Clamp SKB-5M	313152375801	
99	Drain Pan	9358086001		493	Discharge Pipe-A Assy	9359402008	
105	Compressor Assy	9371252001		528	Control Box-A	313728265005	
106	Running Capacitor	9704436047		551	Defrost Cont. Assy	9703103018	
107	Rubber Sheet-A (For Comp. )	9371264004		552	Thermistor Assy (heat exchange)	9900036010	
115	Capillary Tube	9385256002		553	Power Transformer	9701821013	
119	Condenser Assy	9359397014		572	Holder	9358095010	
120	Evaporator Assy	9359395010		592	Control Box-B	313370265157	
122	Emblem-B (Rear)	9358104026		622	Bracket (Typhoon Lock)	9355799003	
				652-1	Thermistor Holder Pipe	313714262805	
				667	Casing-Upper	9358088005	
				816	Wire Clamp Metal	313584219902	
				982	Cord Clamp	9357884004	