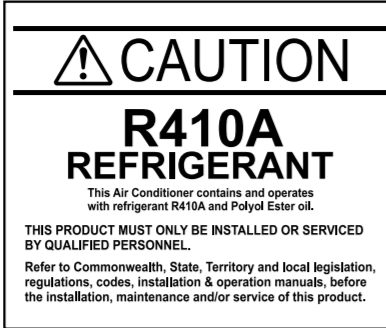


# Floor Console/Under Ceiling Dual Type INSTALLATION INSTRUCTION SHEET

(PART NO. 9374318346)  
For authorized service personnel only.



<b>DANGER</b>	This mark indicates procedures which, if improperly performed, are most likely to result in the death of or serious injury to the user or service personnel.
<b>WARNING</b>	This mark indicates procedures which, if improperly performed, might lead to the death or serious injury of the user.
<b>CAUTION</b>	This mark indicates procedures which, if improperly performed, might possibly result in personal harm to the user, or damage to property.

**DANGER**  
Never touch electrical components immediately after the power supply has been turned off. Electrical shock may occur. After turning off the power, always wait 5 minutes or more before touching electrical components.

## This air conditioner uses new refrigerant HFC (R410A).

The basic installation work procedures are the same as conventional refrigerant models. However, pay careful attention to the following points:

- Since the working pressure is 1.6 times higher than that of conventional refrigerant models, some of the piping and installation and service tools are special. (See the table below.) Especially, when replacing a conventional refrigerant model with a new refrigerant R410A model, always replace the conventional piping and flare nuts with the R410A piping and flare nuts.
- Models that use refrigerant R410A have a different charging port thread diameter to prevent erroneous charging with conventional refrigerant and for safety. Therefore, check beforehand. [The charging port thread diameter for R410A is 1/2 UNF 20 threads per inch.]
- Be more careful that foreign matter (oil, water, etc.) does not enter the piping than with refrigerant models. Also, when storing the piping, securely seal the openings by pinching, taping, etc.
- When charging the refrigerant, take into account the slight change in the composition of the gas and liquid phases, and always charge from the liquid phase side whose composition is stable.

### Special tools for R410A

Tool name	Contents of change
Gauge manifold	Pressure is high and cannot be measured with a conventional gauge. To prevent erroneous mixing of other refrigerants, the diameter of each port has been changed. It is recommended the gauge with seals -0.1 to 5.3 MPa (-76 cmHg to 53 kgf/cm <sup>2</sup> ) for high pressure. -0.1 to 3.8 MPa (-76 cmHg to 38 kgf/cm <sup>2</sup> ) for low pressure.
Charge hose	To increase pressure resistance, the hose material and base size were changed.
Vacuum pump	A conventional vacuum pump can be used by installing a vacuum pump adapter.
Gas leakage detector	Special gas leakage detector for HFC refrigerant R410A.

### Copper pipes

It is necessary to use seamless copper pipes and it is desirable that the amount of residual oil is less than 40 mg/10 m. Do not use copper pipes having a collapsed, deformed or discolored portion (especially on the interior surface). Otherwise, the expansion valve or capillary tube may become blocked with contaminants. As an air conditioner using R410A incurs pressure higher than when using conventional refrigerant, it is necessary to choose adequate materials. Thicknesses of copper pipes used with R410A are as shown in the table. Never use copper pipes thinner than that in the table even when it is available on the market.

### Thicknesses of Annealed Copper Pipes (R410A)

Pipe outside diameter	Thickness
6.35 mm (1/4 in.)	0.80 mm
9.52 mm (3/8 in.)	0.80 mm
12.70 mm (1/2 in.)	0.80 mm
15.88 mm (5/8 in.)	1.00 mm
19.05 mm (3/4 in.)	1.20 mm

## STANDARD PARTS

The following installation parts are furnished. Use them as required.

### INDOOR UNIT ACCESSORIES

Name and Shape	Qty	Application
Cover plate (left)	1	
Cover plate (right)	1	
Tapping screw (ø4 × 10)	2	
Installation template	1	For positioning the indoor unit For under ceiling type
Bracket (left)	1	For suspending the indoor unit from ceiling
Bracket (right)	1	
Anchor bolt (M12)	4	
Spring washer	4	
Special nut	4	
Wall bracket	2	For suspending the indoor unit on the wall
Tapping screw (ø4 × 20)	6	For fixing the wall bracket
Coupler heat insulator (large)	1	For indoor side pipe joint (Large pipe)
Coupler heat insulator (small)	1	For indoor side pipe joint (Small pipe)
Nylon fastener	1	For fixing the drain hose

Name and Shape	Qty	Application
Drain hose	1	
Insulation (drain hose)	1	Adhesive type 70 × 230
VT wire	1	For fixing the drain hose L 280 mm
Remote control unit	1	Use for air conditioner operation
Battery (penlight)	2	For remote control unit
Remote control unit holder	1	Use as remote control unit holder
Tapping screw (ø3 × 12)	2	For remote control unit holder installation

### OPTIONAL PARTS

The following options are available.  
• WIRED REMOTE CONTROLLER: UTB-UD

- WARNING**
- For the air conditioner to operate satisfactorily, install it as outlined in this installation instruction sheet.
  - Connect the indoor unit and outdoor unit with the air conditioner piping and cords available from our standards parts. This installation instruction sheet describes the correct connections using the installation set available from our standard parts.
  - Installation work must be performed in accordance with national wiring standards by authorized personnel only.
  - Do not turn on the power until all installation work is complete.

**CAUTION**  
This installation instruction sheet describes how to the indoor unit only. To install the outdoor unit, refer to the installation instruction sheet included with the outdoor unit.

- Be careful not to scratch the air conditioner when handling it.
- After installation, explain correct operation to the customer, using the operating manual.
- Let the customer keep this installation instruction sheet because it is used when the air conditioner is serviced or moved.

## CONNECTION PIPE REQUIREMENT

**CAUTION**  
Refer to the installation instruction sheet of the outdoor unit for description of the length of connecting pipe or for difference of its elevation.

MODEL	14,000, 18,000 BTU/h model	24,000 BTU/h model
Diameter	Liquid 6.35 mm (1/4 in.) Gas 12.70 mm (1/2 in.)	6.35 mm (1/4 in.) 15.88 mm (5/8 in.)

- Use pipe with water-resistant heat insulation.

**CAUTION**  
Install heat insulation around both the gas and liquid pipes. Failure to do so may cause water leaks. Use heat insulation with heat resistance above 120 °C. (Reverse cycle model only) In addition, if the humidity level at the installation location of the refrigerant piping is expected to exceed 70%, install heat insulation around the refrigerant piping. If the expected humidity level is 70-80%, use heat insulation that is 15 mm or thicker and if the expected humidity exceeds 80%, use heat insulation that is 20 mm or thicker. If heat insulation is used that is not as thick as specified, condensation may form on the surface of the insulation. In addition, use heat insulation with heat conductivity of 0.045 W/(m·K) or less (at 20 °C).

## ELECTRICAL REQUIREMENT

Connection cord (mm <sup>2</sup> )	
MAX.	MIN.
2.5	1.5

- Use conformed cord with Type 245 IEC57.
- Install all electrical works in accordance to the standard.
- Install the disconnect device with a contact gap of at least 3 mm in all poles nearby the units. (Both indoor unit and outdoor unit)

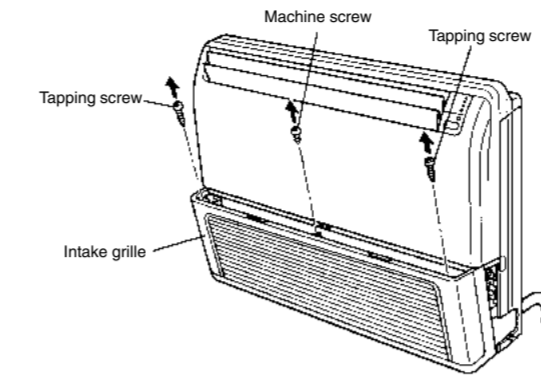
## INSTALLATION PROCEDURE

Install the room air conditioner as follows:

### 1 PREPARING INDOOR UNIT INSTALLATION

#### 1. REMOVE THE INTAKE GRILLE

Open the intake grille and remove the three screws.



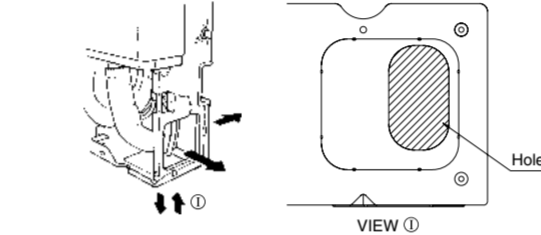
Remark: The main unit can be wired before the indoor unit is installed. Select the most appropriate installation order.

### 2 INDOOR UNIT INSTALLATION

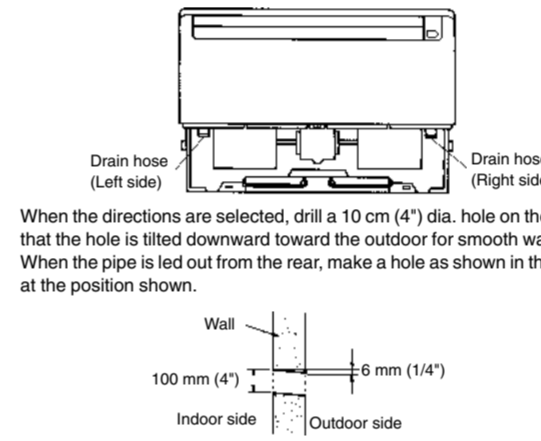
#### A. FLOOR CONSOLE TYPE

##### 1. DRILLING FOR PIPING

Select piping and drain directions. The piping and drain can be made in three directions as shown below.



For direction ①, bore the oval hole shown in the above figure. The drain hose can be connected to either the left or right side.

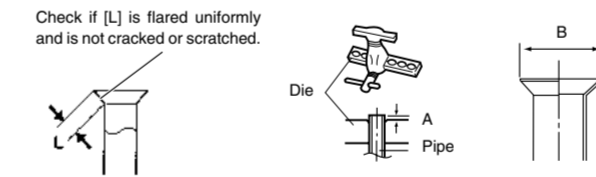


### 3 CONNECTING THE PIPE

- CAUTION**
- Do not use mineral oil on flared part. Prevent mineral oil from getting into the system as this would reduce the lifetime of the units.
  - While welding the pipes, be sure to blow dry nitrogen gas through them.
  - The maximum lengths of this product are shown in the table. If the units are further apart than this, correct operation can not be guaranteed.

#### 1. FLARING

- Cut the connection pipe to the necessary length with a pipe cutter.
- Hold the pipe downward so that cuttings will not enter the pipe and remove the burrs.
- Insert the flare nut (always use the flare nut attached to the indoor and outdoor units respectively) onto the pipe and perform the flare processing with a flare tool. Use the special R410A flare tool, or the conventional flare tool.



Pipe outside diameter	Dimension A (mm)	
	Flare tool for R410A, clutch type	
6.35 mm (1/4 in.)	9.1	
9.52 mm (3/8 in.)	13.2	
12.70 mm (1/2 in.)	16.6	
15.88 mm (5/8 in.)	19.7	
19.05 mm (3/4 in.)	24.0	

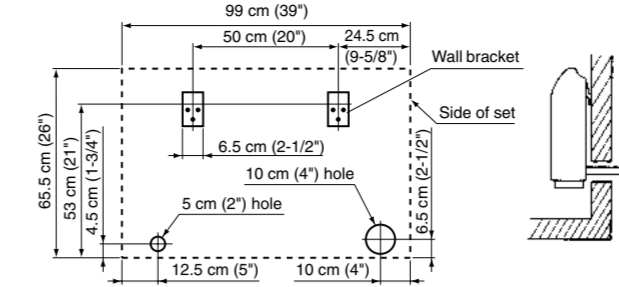
Pipe outside diameter	Dimension B (mm)	
	Flare tool for R410A, clutch type	
6.35 mm (1/4 in.)	17 mm	
9.52 mm (3/8 in.)	22 mm	
12.70 mm (1/2 in.)	26 mm	
15.88 mm (5/8 in.)	29 mm	
19.05 mm (3/4 in.)	36 mm	

When using conventional flare tools to flare R410A pipes, the dimension A should be approximately 0.5 mm more than indicated in the table (for flaring with R410A flare tools) to achieve the specified flaring. Use a thickness gauge to measure the dimension A.

Pipe outside diameter	Width across flats of Flare nut
6.35 mm (1/4 in.)	17 mm
9.52 mm (3/8 in.)	22 mm
12.70 mm (1/2 in.)	26 mm
15.88 mm (5/8 in.)	29 mm
19.05 mm (3/4 in.)	36 mm

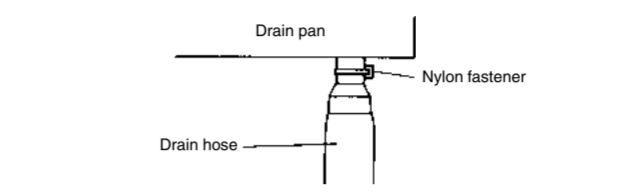


When installing set to wall install the accessory wall bracket at the position as shown in the figure, and mount the set to it.

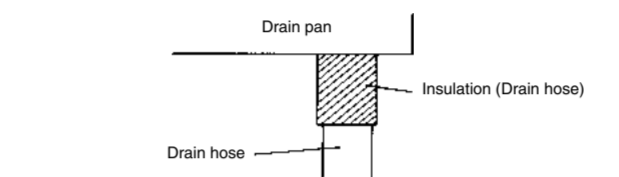


#### 2. INSTALLING THE DRAIN HOSE

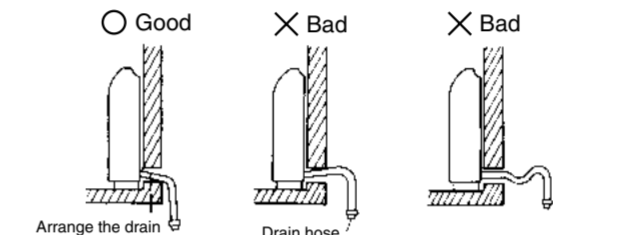
Select whether the drain hose will be connected to the left or right side. Insert the drain hose into the drain pan, then secure the drain hose with a nylon fastener.



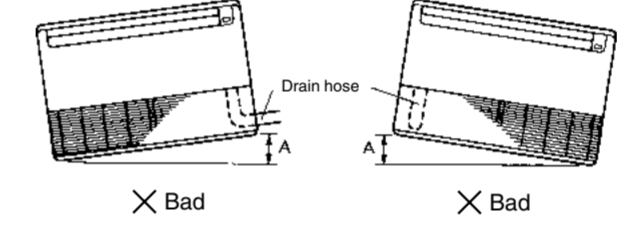
Wrap the insulation (drain hose) around the drain hose connection.



Be sure to arrange the drain hose so that it is leveled lower than the drain hose connecting port of the indoor unit.

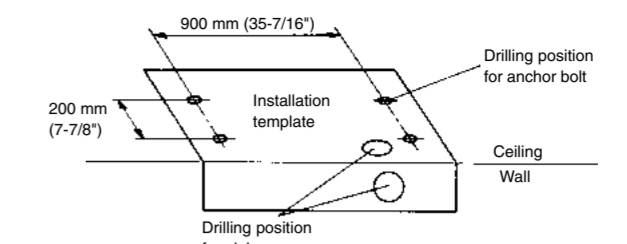


**CAUTION**  
Do not install the unit so that the drain hose side is too high. Height A should be less than 5 mm.



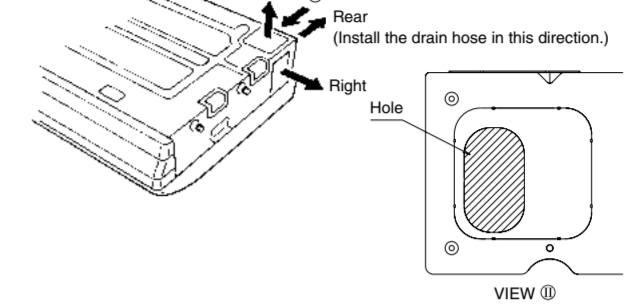
### B. UNDER CEILING TYPE

Using the installation template, drill holes for piping and anchor bolts (for holes).



#### 1. DRILLING FOR PIPING

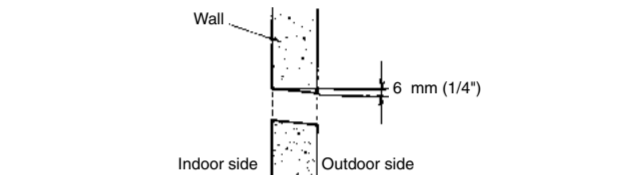
Select piping and drain directions. Select whether the drain hose will be connected to the left or right side. Install the drain hose in this direction.)



For direction ②, bore the oval hole shown in the above figure.

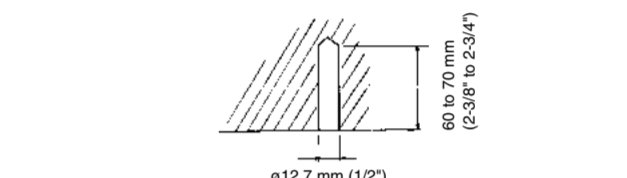
**CAUTION**  
Install the drain hose at the rear; it should not be installed on the top or right side.

When the directions are selected, drill 80 mm (3-1/8") and 50 mm (2") or 150 mm (6") dia. hole on the wall so that the hole is tilted downward toward the outdoor for smooth water flow.

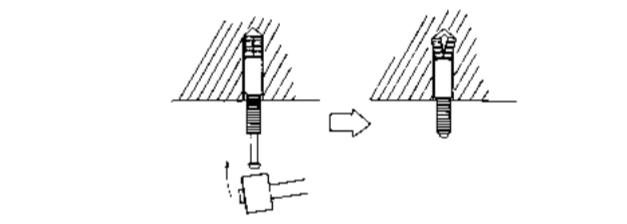


#### 2. DRILLING HOLES FOR ANCHOR BOLTS AND INSTALLING THE ANCHOR BOLTS

With a concrete drill, drill four 12.7 mm (1/2") dia. holes.

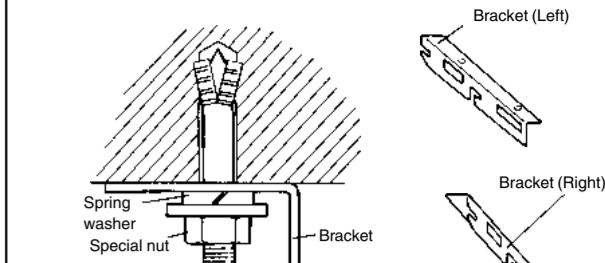


Insert the anchor bolts into the drilled holes, and drive the pins completely into the anchor bolts with a hammer.



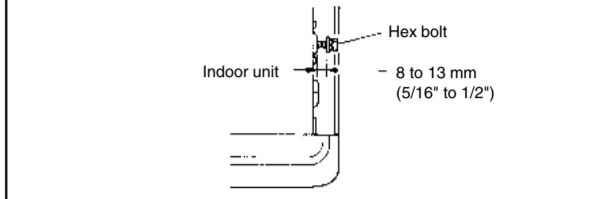
### 3. INSTALLING BRACKETS

Install the brackets with nuts, washers and spring washers.

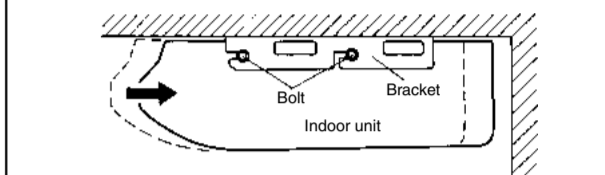


#### 4. INSTALLING INDOOR UNIT

Reset the hex bolts as shown in the figure.



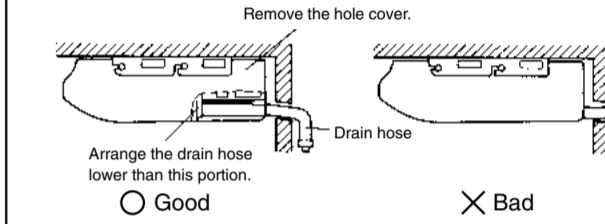
Apply the indoor unit to the brackets.



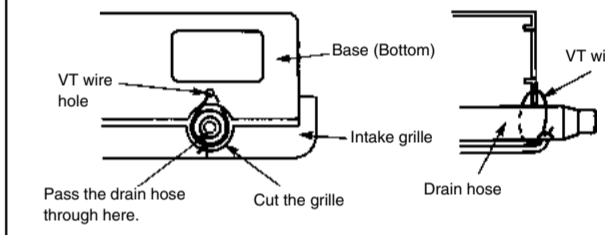
#### 5. INSTALLING THE DRAIN HOSE

Select whether the drain hose will be connected to the left or right side. Insert the drain hose into the drain pan, then secure the drain hose with a nylon fastener.

Wrap the insulation (drain hose) around the drain hose connection. Be sure to arrange the drain hose so that it is leveled lower than the drain hose connecting port of the indoor unit.



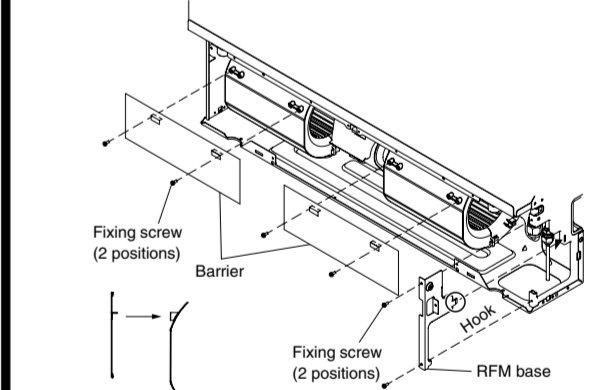
When drain hose is arranged backward. Secure the drain hose with the VT wire.



### 4 BARRIER AND RFM BASE REMOVAL

#### BARRIER AND RFM BASE REMOVAL AND INSTALLATION

- Remove the barriers by removing the 4 fixing screws (2 screws each).
- Remove the RFM base by removing the 2 fixing screws and unhooking the 1 hook.
- After completing the work, install the barriers and RFM base as they were originally.



Install the barriers in the correct direction.

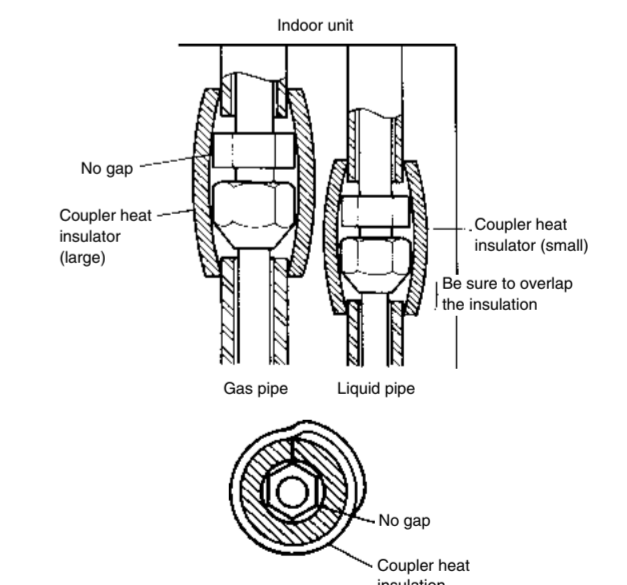
Flare nut tightening torque	
Flare nut	Tightening torque
6.35 mm (1/4 in.) dia.	16 to 18 N·m (160 to 180 kgf·cm)
9.52 mm (3/8 in.) dia.	30 to 42 N·m (300 to 420 kgf·cm)
12.70 mm (1/2 in.) dia.	49 to 61 N·m (490 to 610 kgf·cm)
15.88 mm (5/8 in.) dia.	63 to 75 N·m (630 to 750 kgf·cm)
19.05 mm (3/4 in.) dia.	90 to 110 N·m (900 to 1100 kgf·cm)

Do not remove the cap from the connection pipe before connecting the pipe.

**CAUTION**  
Be sure to connect the gas pipe after connecting the liquid pipe completely.

#### 4. HEAT INSULATION ON THE PIPE JOINTS (INDOOR SIDE ONLY)

Put coupler heat insulator on the joints (indoor side only).

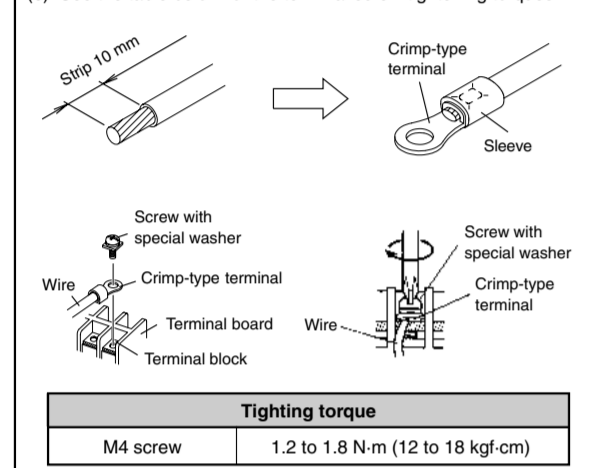


# 5 ELECTRICAL WIRING

- WARNING**
- Before starting work, check that power is not being supplied to the indoor unit and outdoor unit.
  - Match the terminal board numbers and connection cord colors with those of the outdoor unit. Erroneous wiring may cause burning of the electric parts.
  - Connect the connection cords firmly to the terminal board. Imperfect installation may cause a fire.
  - Always fasten the outside covering of the connection cord with the cord clamp. (If the insulator is chafed, electric leakage may occur.)
  - Always connect the ground wire.
  - Install the remote controller wires so as not to be directly touched with your hand.

## HOW TO CONNECT WIRING TO THE TERMINALS

- For strand wiring**
- Use crimp-type terminals with insulating sleeves as shown in the figure below to connect to the terminal block.
  - Securely crimp the crimp-type terminals to the wires using an appropriate tool so that the wires do not come loose.
  - Use the specified wires, connect them securely, and fasten them so that there is no stress placed on the terminals.
  - Use an appropriate screwdriver to tighten the terminal screws. Do not use a screwdriver that is too small, otherwise, the screw heads may be damaged and prevent the screws from being properly tightened.
  - Do not tighten the terminal screws too much, otherwise, the screws may break.
  - See the table below for the terminal screw tightening torques.



Tightening torque	
M4 screw	1.2 to 1.8 N·m (12 to 18 kgf·cm)

**WARNING**

Use crimp-type terminals and tighten the terminal screws to the specified torques, otherwise, abnormal overheating may be produced and possibly cause heavy damage inside the unit.

## Setting the Cooler Room Temperature Correction

Depending on the installed environment, the room temperature sensor may require a correction. The settings may be selected as shown in the table below. (The unit is factory-set to "00".)

Setting Description	Function Number	Setting Value
Standard	30	00
Lower control		01

When using floor console installation, change the setting value to "01".

## Setting the Heater Room Temperature Correction

Depending on the installed environment, the room temperature sensor may require a correction. The settings may be changed as shown in the table below. (The unit is factory-set to "00".)

Setting Description	Function Number	Setting Value
Standard		00
Lower control		01
Slightly warmer control	31	02
Warmer control		03

When using floor console installation, change the setting value to "01".

## Setting Other Functions

The following settings are also possible, depending on the operating conditions. (The unit is factory-set to "00".)

Setting Description	Function Number	Setting Value
Yes	40	00
No		01

## Indoor Room Temperature Sensor Switching Function (Wired remote control only)

Setting Description	Function Number	Setting Value
No		00
Yes	42	01

- If setting value is "00", room temperature is controlled by the indoor unit temperature sensor.
- If setting value is "01", room temperature is controlled by either indoor unit temperature sensor or remote control unit sensor.

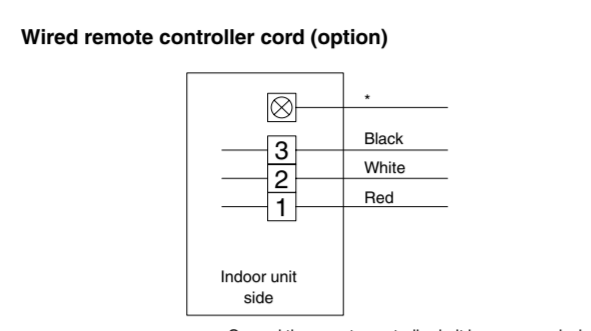
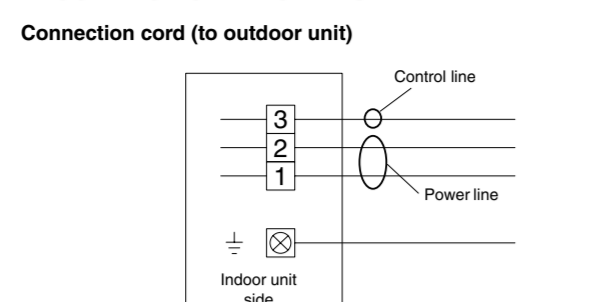
## Setting record

Record any changes to the settings in the following table.

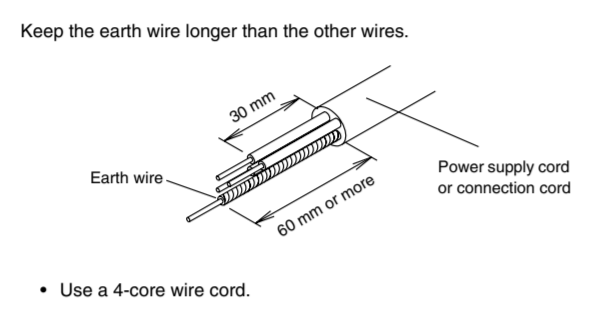
Setting	Setting Value
Ceiling height	
Filter sign	
Cooler room temperature correction	
Heater room temperature correction	
Auto restart	
Indoor room temperature sensor switching function	

After completing the FUNCTION SETTING, be sure to turn off the power and turn it on again.

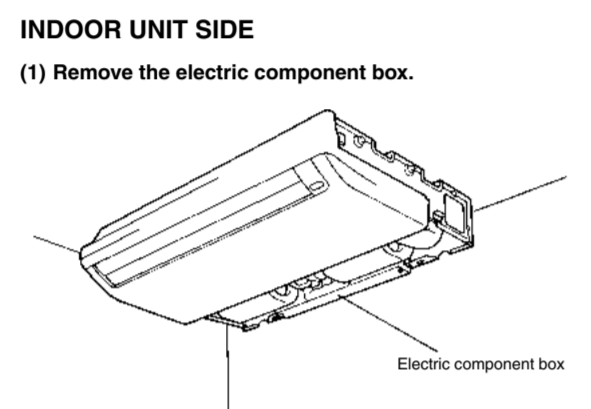
## 1. CONNECTION DIAGRAMS



## 2. CONNECTION CORD PREPARATION



## 3. CONNECTION OF WIRING INDOOR UNIT SIDE



Remove the three tapping screws.

**CAUTION**

Be careful not to pinch the lead wires between the electric component box and base.

## 9 SELECTING THE REMOTE CONTROL UNIT SIGNAL CODE

When two or more air conditioners are installed in a room and the remote control unit is operating an air conditioner other than the one you wish to set, change the signal code of the remote control unit to operate only the air conditioner you wish to set (four selections possible).

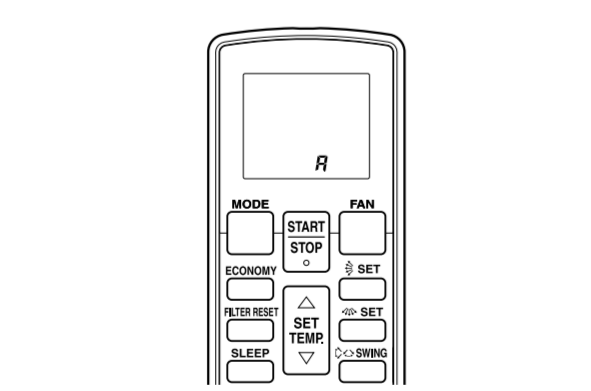
When two or more air conditioners are installed in a room, please contact your retailer to set the individual air conditioner signal codes.

- Confirm the setting of the remote control unit signal code and the printed circuit board setting.
- If these are not confirmed, the remote control unit cannot be used to operate for the air conditioner.

### Selecting the Remote Control Unit Signal Code

Use the following steps to select the signal code of the remote control unit. (Note that the air conditioner cannot receive a signal code if the air conditioner has not been set for the signal code.)

- Press the START/STOP button until only the clock is displayed on the remote control unit display.
  - Press the MODE button for at least five seconds to display the current signal code (initially set to A).
  - Press the SET TEMP. (▲) (▼) button to change the signal code between A-b-c-d.
- Match the code on the display to the air conditioner signal code.
- Press the MODE button again to return to the clock display. The signal code will be changed.

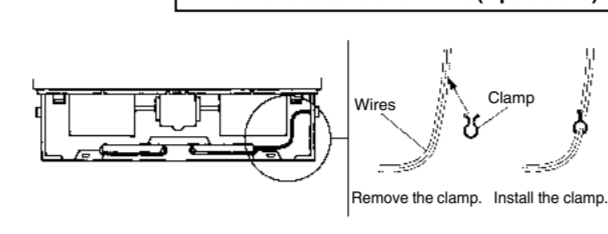
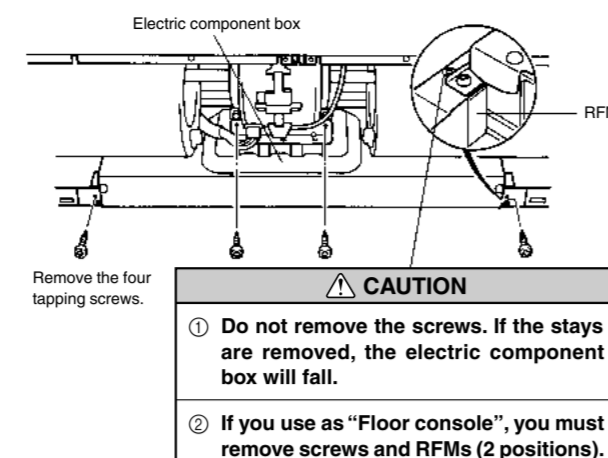


If no buttons are pressed within 30 seconds after the signal code is displayed, the system returns to the original clock display. In this case, start again from step 1.

The air conditioner signal code is set to A prior to shipment. Contact your retailer to change the signal code.

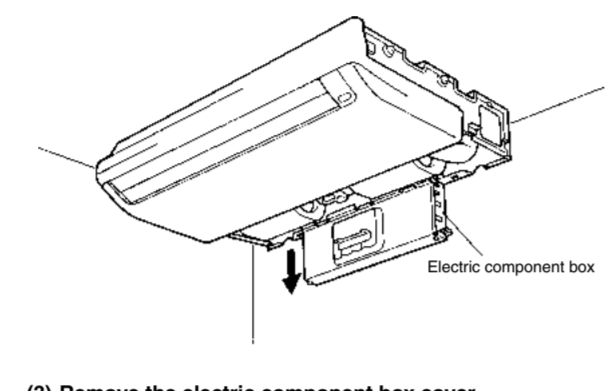
The remote control unit resets to signal code A when the batteries in the remote control unit are replaced. If you use a signal code other than signal code A, reset the signal code after replacing the batteries.

If you do not know the air conditioner signal code setting, try each of the signal codes (A-b-c-d) until you find the code which operates the air conditioner.

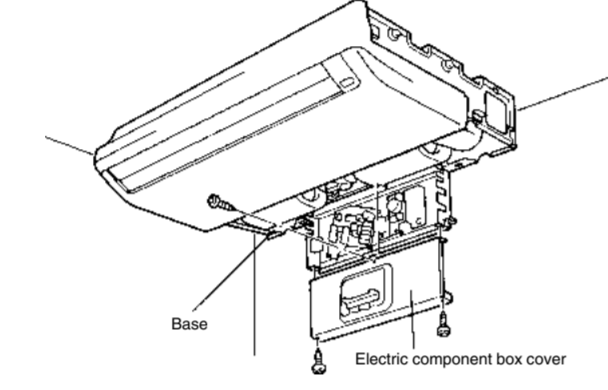


- When removing the electric component box, remove the clamp from the cables.
- After completing the work, fasten the cables as they were originally by installing the clamp.

### (2) Pull out the electric component box.



### (3) Remove the electric component box cover.

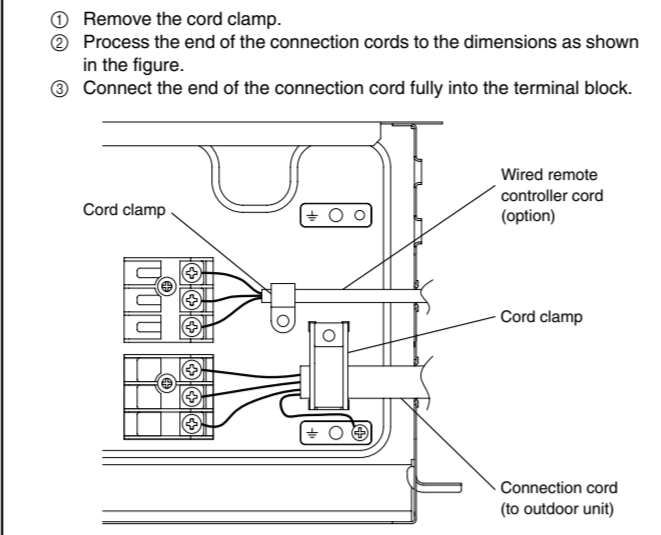


Remove the three tapping screws.

**CAUTION**

Be careful not to pinch the lead wires between the electric component box and base.

## (4) Wiring



- Fasten the connection cord with a cord clamp.
- Fasten the end of the connection cord with the screw.

**CAUTION**

Do not bundle the remote controller cord, or wire the remote controller cord in parallel, with the indoor unit connection wire (to the outdoor unit) and the power supply cord. It may cause erroneous operation.

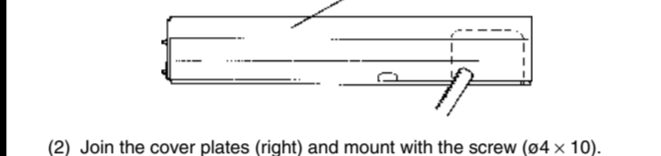
(5) Floor console/Under ceiling select switch

- This unit was set for use as a ceiling type at the factory.
- When using the unit as a floor type, perform the following settings in FUNCTION SETTING. (Refer to 8 FUNCTION SETTING.)  
Setting the Cooler Room Temperature Correction → Setting Value "01"  
Setting the Heater Room Temperature Correction → Setting Value "01"

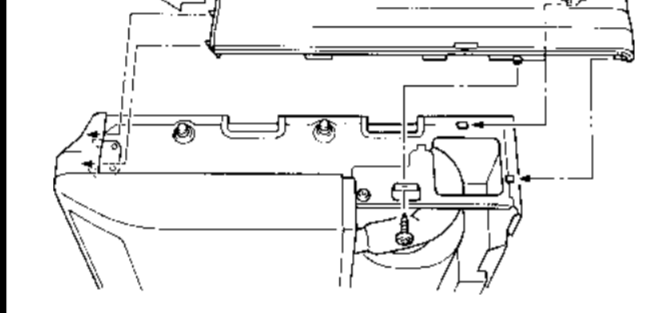
## 6 MOUNT THE COVER PLATE AND THE INTAKE GRILLE

### 1. MOUNT THE COVER PLATE (RIGHT)

- Cut a pipe exit hole in the right plate. This is only when the pipe exits from the right side. (This operation is not required when the protrusion is on the top or rear.)



- Join the cover plates (right) and mount with the screw (ø4 × 10).



## 10 TEST RUN

### CHECK ITEMS

- Is operation of each button on the remote control unit normal?
- Does each lamp light normally?
- Do not air flow direction louvers operate normally?
- Is the drain normal?
- Is there any abnormal noise and vibration during operation?

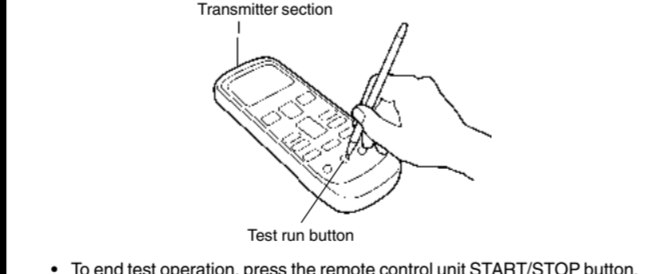
Do not operate the air conditioner in the running state for a long time.

• Test running

When the air conditioner is run by pressing the remote control unit test run button, the OPERATION and TIMER lamps flash slowly at the same time.

### [OPERATION METHOD]

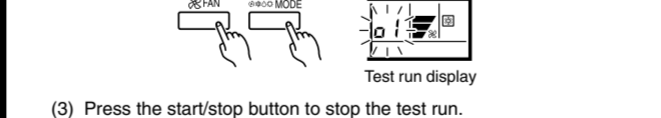
- For the operation method, refer to the operating manual.
- The outdoor unit may not operate depending on the room temperature. In this case, press the test run button on the remote control unit while the air conditioner is running. (Point the transmitter section of the remote control unit toward the air conditioner and press the test run button with the tip of a ball-point pen, etc.)



- To end test operation, press the remote control unit START/STOP button. (When the air conditioner is run by pressing the test run button, the OPERATION indicator lamp and TIMER indicator lamp will simultaneously flash slowly.)

### [Using the wired remote control] (Option)

- Stop the air conditioner operation.
- Press the master control button and the fan control button simultaneously for 2 seconds or more to start the test run.

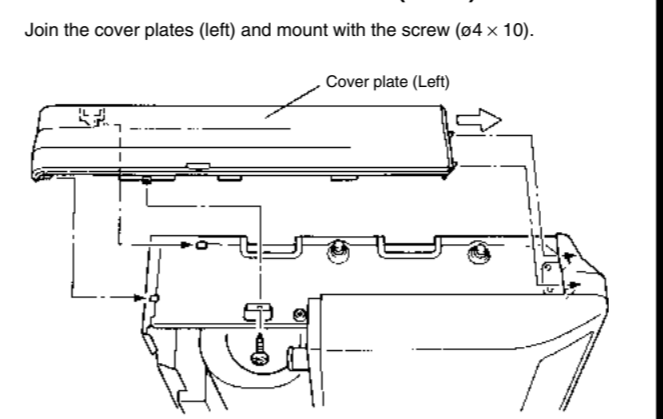


- Press the start/stop button to stop the test run.



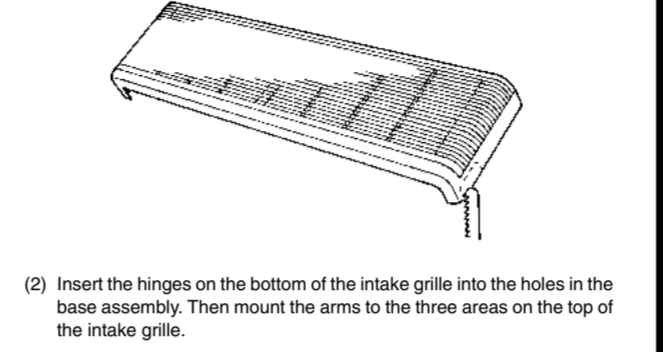
○: 0.5s ON/0.5s OFF (Flash) ×: OFF

## 2. MOUNT THE COVER PLATE (LEFT)

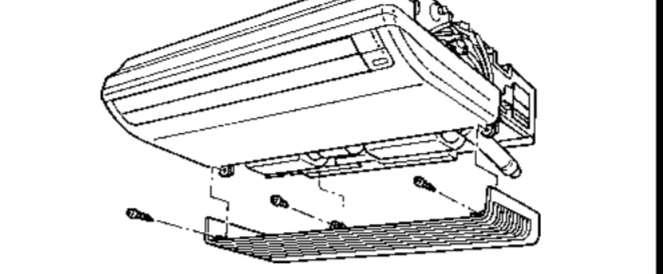


## 3. MOUNT THE INTAKE GRILLE

- Cut the right side of the intake grille. This is only when the pipe exits from the right side.



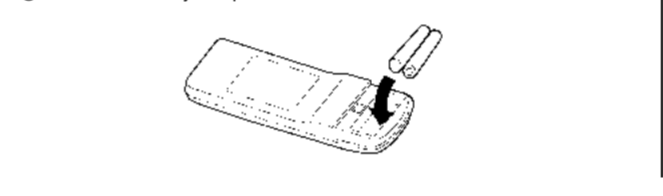
- Insert the hinges on the bottom of the intake grille into the holes in the base assembly. Then mount the arms to the three areas on the top of the intake grille.



## 7 REMOTE CONTROLLER SETTING

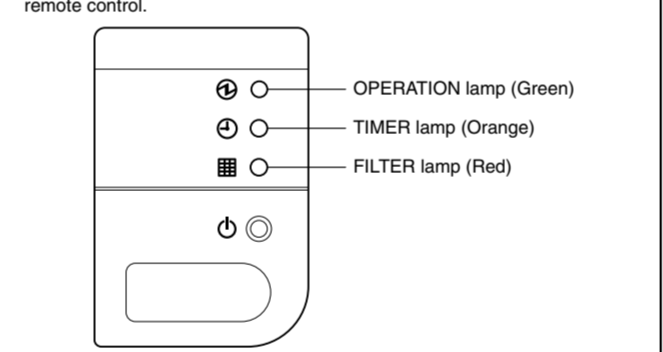
### 1. LOAD BATTERIES (R03/LR03 × 2)

- Press and slide the battery compartment lid on the reverse side to open it. Slide in the direction of the arrow while pressing the  mark.
- Insert batteries. Be sure to align the battery polarities (+/-) correctly.
- Close the battery compartment lid.



## Troubleshooting

(Troubleshooting with the indoor display)  
Troubleshooting at the display is possible either on the wired or wireless remote control.



The OPERATION, TIMER and FILTER lamp operate as follows table according to the error contents.

Error contents	OPERATION lamp (Green)	TIMER lamp (Orange)	FILTER lamp (Red)
Indoor signal error	×	○	×
Wired remote controller abnormal	×	(6 times) ○	×
Indoor room temperature sensor error	(2 times) ○	(2 times) ○	×
Indoor heat exchanger temperature sensor (middle) error	(2 times) ○	(3 times) ○	×
Indoor heat exchanger temperature sensor (inlet) error	(2 times) ○	(4 times) ○	×
Float switch operated	(2 times) ○	(6 times) ○	×
Outdoor discharge pipe temperature sensor error	(3 times) ○	(2 times) ○	×
Outdoor heat exchanger temperature sensor (outlet) error	(3 times) ○	(3 times) ○	×
Outdoor temperature sensor error	(3 times) ○	(4 times) ○	×
Compressor temperature sensor error	(3 times) ○	(8 times) ○	×
2-way valve temperature sensor error	(3 times) ○	×	(2 times) ○
3-way valve temperature sensor error	(3 times) ○	×	(3 times) ○
Outdoor heat exchanger temperature sensor (middle) error	(3 times) ○	×	(4 times) ○
Indoor manual auto switch abnormal	(4 times) ○	(2 times) ○	×
Power supply frequency detection error	(4 times) ○	(4 times) ○	×
IPM protection	(5 times) ○	(2 times) ○	×
CT error	(5 times) ○	(3 times) ○	×
Compressor location error	(5 times) ○	(5 times) ○	×
Outdoor fan error	(5 times) ○	(6 times) ○	×
Connected indoor unit abnormal	(5 times) ○	(7 times) ○	×
Outdoor unit computer communication error	(5 times) ○	(8 times) ○	×
Indoor fan abnormal	(6 times) ○	(2 or 3 times) ○	×
Discharge temperature error	(7 times) ○	(2 times) ○	×
Excessive high pressure protection on cooling	(7 times) ○	(3 times) ○	×
4-way valve abnormal	(7 times) ○	(4 times) ○	×
Pressure switch abnormal	(7 times) ○	(5 times) ○	×
Compressor temperature error	(7 times) ○	(6 times) ○	×
Active filter abnormal	(8 times) ○	(2 or 3 times) ○	×
PFC circuit error	(8 times) ○	(4 times) ○	×

○: 0.5s ON/0.5s OFF (Flash) ×: OFF

## CAUTION

- Take care to prevent infants from accidentally swallowing batteries.
- When not using the Remote Control Unit for an extended period, remove the batteries to avoid possible leakage and damage to the unit.
- If leaking battery fluid comes in contact with your skin, eyes, or mouth, immediately wash with copious amounts of water, and consult your physician.
- Dead batteries should be removed immediately and disposed of properly, either in a battery collection receptacle or to the appropriate authority.
- Do not attempt to recharge dry batteries.

## NOTES

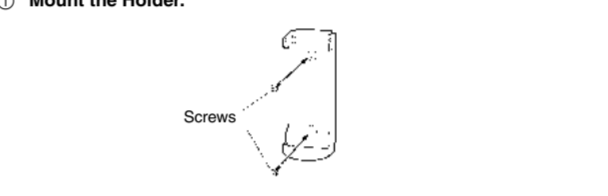
- Never mix new and used batteries, or batteries of different types.
- Batteries should last about one year under normal use. If the Remote Control Unit's operating range becomes appreciably reduced, replace the batteries and press the RESET button with the tip of a ballpoint pen or other small object.

## 2. REMOTE CONTROL UNIT HOLDER INSTALLATION

- CAUTION**
- Check that the indoor unit correctly receives the signal from the remote control unit, then install the remote control unit holder.
  - Select the remote control unit holder selection site by paying careful attention to the following: Avoid places in direct sunlight. Select a place that will not be affected by the heat from a stove, etc.

- Install the remote control unit with a distance of 7 m between the remote control unit and the photocell as the criteria. However, when installing the remote control unit, check that it operates properly.
- Install the remote control unit holder to a wall, pillar, etc. with the tapping screw.

### Mount the Holder.



### Set the Remote Control Unit.



### To remove the Remote Control Unit (when use at hand).

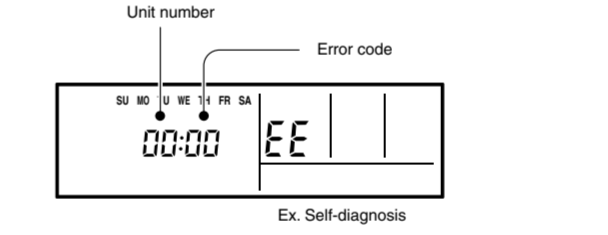


## [Troubleshooting at the remote control LCD]

This is possible only on the wired remote control. (Option)

### [SELF-DIAGNOSIS]

This possible only on the wired remote control. (Option)  
If an error occurs, the following display will be shown. ("EE" will appear in the set room temperature display.)



Error code	Error contents
01	Indoor signal error
13	
26	
27	
00	Wired remote controller abnormal
02	Indoor room temperature sensor error
04	Indoor heat exchanger temperature sensor (middle) error
28	Indoor heat exchanger temperature sensor (inlet) error
09	Float switch operated
0C	Outdoor discharge pipe temperature sensor error
06	Outdoor heat exchanger temperature sensor (outlet) error
0A	Outdoor temperature sensor error
15	Compressor temperature sensor error
1d	2-way valve temperature sensor error
1E	3-way valve temperature sensor error
29	Outdoor heat exchanger temperature sensor (middle) error
20	Indoor manual auto switch abnormal
2A	Power supply frequency detection error
17	IPM protection
18	CT error
1A	Compressor location error
1b	Outdoor fan error
1F	Connected indoor unit abnormal
1c	Outdoor unit computer communication error
12	Indoor fan abnormal
0F	Discharge temperature error
24	Excessive high pressure protection on cooling
2c	4-way valve abnormal
16	Pressure switch abnormal
2b	Compressor temperature error
19	Active filter abnormal
25	PFC circuit error

If "00" appears in the unit number display, there is a remote controller error.

Unit number	Error code	Content
C0	1d	Incompatible indoor unit is connected
C0	1c	Indoor unit ↔ remote controller communication error



## 8 FUNCTION SETTING

- This procedure changes to the function settings used to control the indoor unit according to the installation conditions. Incorrect settings can cause the indoor unit malfunction.
- After the power is turned on, perform the "FUNCTION SETTING" according to the installation conditions using the remote controller.
- The settings may be selected between the following two: Function Number or Setting Value.
- Settings will not be changed if invalid numbers or setting values are selected.

### Entering the Function Setting Mode

- While pressing the FAN button and SET TEMP. (▲) simultaneously, press the RESET button to enter the function setting mode.

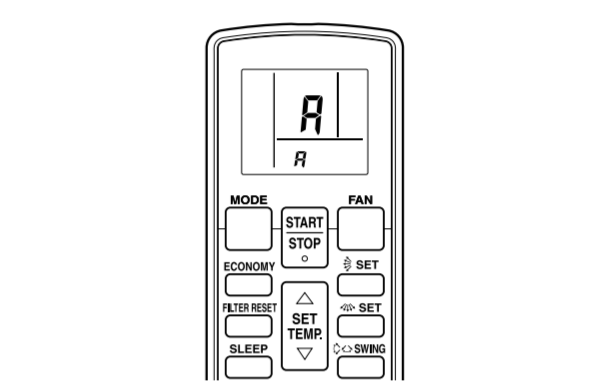
### STEP 1

#### Selecting the Remote Control Unit Signal Code

Use the following steps to select the signal code of the remote control unit. (Note that the air conditioner cannot receive a signal code if the air conditioner has not been set for the signal code.)

The signal codes that are set through this process are applicable only to the signals in the FUNCTION SETTING. For details on how to set the signal codes through the normal process, refer to SELECTING THE REMOTE CONTROL UNIT SIGNAL CODE.

- Press the SET TEMP. (▲) (▼) button to change the signal code between A-b-c-d. (If the signal code does not need to be selected, press the MODE button and proceed to STEP 2.)
- Press the TIMER MODE button and check that the indoor unit can receive signals at the displayed signal code.
- Press the MODE button to accept the signal code, and proceed to STEP 2.



### CAUTION

After turning off the power, wait 10 seconds or more before turning on it again. The FUNCTION SETTING doesn't become effective if it doesn't do so.

### Setting the Ceiling Height

- Select the setting values in the table below according to the height of the ceiling. (The unit is factory-set to "00".)

Setting Description	Function Number	Setting Value
Standard	20	00
High ceiling		01

When using floor console installation, don't need to change the setting value.

### Setting the Filter Sign

- The indoor unit has a sign to inform the user that it is time to clean the filter.
- Select the time setting for the filter sign display interval in the table below according to the amount of dust or debris in the room. (The unit is factory-set to "00".)
- If you do not wish the filter sign to be displayed, select the setting value for "No indication".

Setting Description	Function Number	Setting Value
Standard (400 hours)		00
Long interval (1,000 hours)		01