



SPLIT TYPE ROOM AIR
CONDITIONER

CEILING type (50Hz)

SERVICE MANUAL

| Models | Indoor unit | Outdoor unit |
|--------|-------------|--------------|
| | ABY36AGA3W | AOY36ACA3L |
| | ABY36RGA3W | AOY36RCD3L |
| | ABY45AGA3W | AOY45ACA3L |
| | ABY45RGA3W | AOY45RCD3L |

C O N T E N T S

| | |
|--|----|
| SPECIFICATIONS | 1 |
| OUTLINE AND DIMENSIONS | 2 |
| REFRIGERANT SYSTEM DIAGRAM | 3 |
| CIRCUIT DIAGRAM | 5 |
| P.C. BOARD LAYOUTS | 9 |
| DISASSEMBLY ILLUSTRATION | 12 |
| REMOTE CONTROL UNIT CODE SWITCHING | 26 |
| PARTS LIST | 27 |

S P E C I F I C A T I O N S

| TYPE | COOLING | COOLING & HEATING | COOLING | COOLING & HEATING |
|-----------------------|-------------|-------------------|-------------|-------------------|
| INDOOR UNIT | ABY36AGA3W | ABY36RGA3W | ABY45AGA3W | ABY45RGA3W |
| OUTDOOR UNIT | ADY36ACA3L | ADY36RCD3L | ADY45ACA3L | ADY45RCD3L |
| COOLING CAPACITY (kW) | 10.3 - 10.5 | 10.3 - 10.5 | 12.4 - 12.7 | 12.4 - 12.7 |
| HEATING CAPACITY (kW) | — | 10.5 - 10.7 | — | 13.4 - 13.7 |

ELECTRICAL SPECIFICATIONS

| POWER SUPPLY (V) | 380 - 415 | | | | |
|---|-----------|-------------|-------------|-------------|-------------|
| FREQUENCY (Hz) | 50 | | | | |
| RUNNING CURRENT (A) | COOLING | 6.4 - 6.4 | 6.6 - 6.6 | 7.5 - 7.5 | 7.5 - 7.5 |
| | HEATING | — | 6.1 - 5.8 | — | 7.4 - 7.4 |
| INPUT (kW) | COOLING | 3.73 - 3.80 | 3.88 - 3.95 | 4.45 - 4.57 | 4.45 - 4.57 |
| | HEATING | — | 3.18 - 3.25 | — | 4.23 - 4.35 |
| EER (kW/kW) | COOLING | 2.76 - 2.76 | 2.65 - 2.66 | 2.79 - 2.78 | 2.79 - 2.78 |
| | HEATING | — | 3.30 - 3.29 | — | 3.17 - 3.15 |
| MOISTURE REMOVAL (l/hr) | 4.0 | | 5.5 | | |
| AIR CIRCULATION-HI (m ³ /hr) | 1,660 | | 1,800 | | |

COMPRESSOR

| TYPE | Hermetic type, 2 pole, 3-phase, Induction motor | | | |
|----------------------|--|-------|---------------|-------|
| CODE | ORLQ-0350-TFD | | CRPD-0450-TFD | |
| REFRIGERANT R-22 (g) | 2,150 | 2,800 | 3,150 | 3,400 |

FAN MOTOR

| POWER SUPPLY (V) | 220 - 240 | | | | |
|------------------|--------------------|-----------|----------|-----------|----------|
| INDOOR UNIT | TYPE | MFA-450ZM | | MFA-450ZM | |
| | HI-SPEED (r.p.m.) | 1,000 | | 1,100 | |
| | MED-SPEED (r.p.m.) | 900 | | 1,000 | |
| | LO-SPEED (r.p.m.) | 750 | | 850 | |
| OUTDOOR UNIT | TYPE | MFB-362F | MFB-362F | MFB-362F | MFB-362F |
| | HI-SPEED (r.p.m.) | 790 | | 790 | |
| | LO-SPEED (r.p.m.) | 510 | | 510 | |

DIMENSIONS

| | |
|--------------|--|
| INDOOR UNIT | (HEIGHT) 240mm × (WIDTH) 1,660mm × (DEPTH) 700mm |
| OUTDOOR UNIT | (HEIGHT) 1,152mm × (WIDTH) 940mm × (DEPTH) 370mm |

WEIGHT

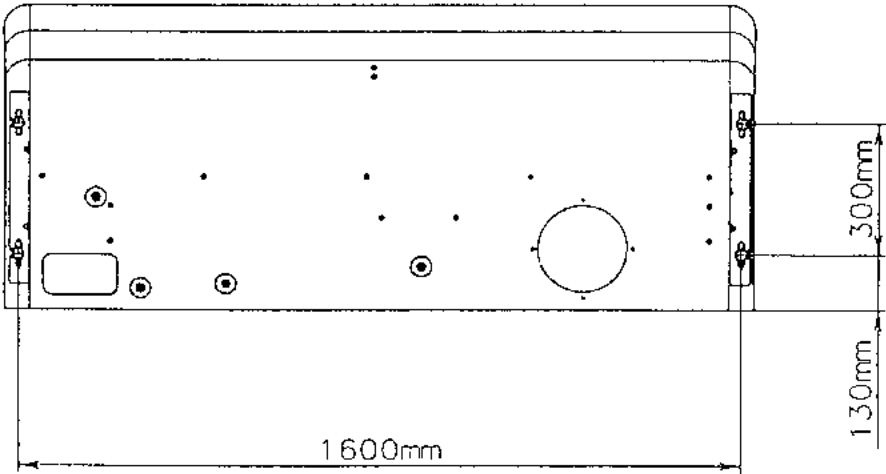
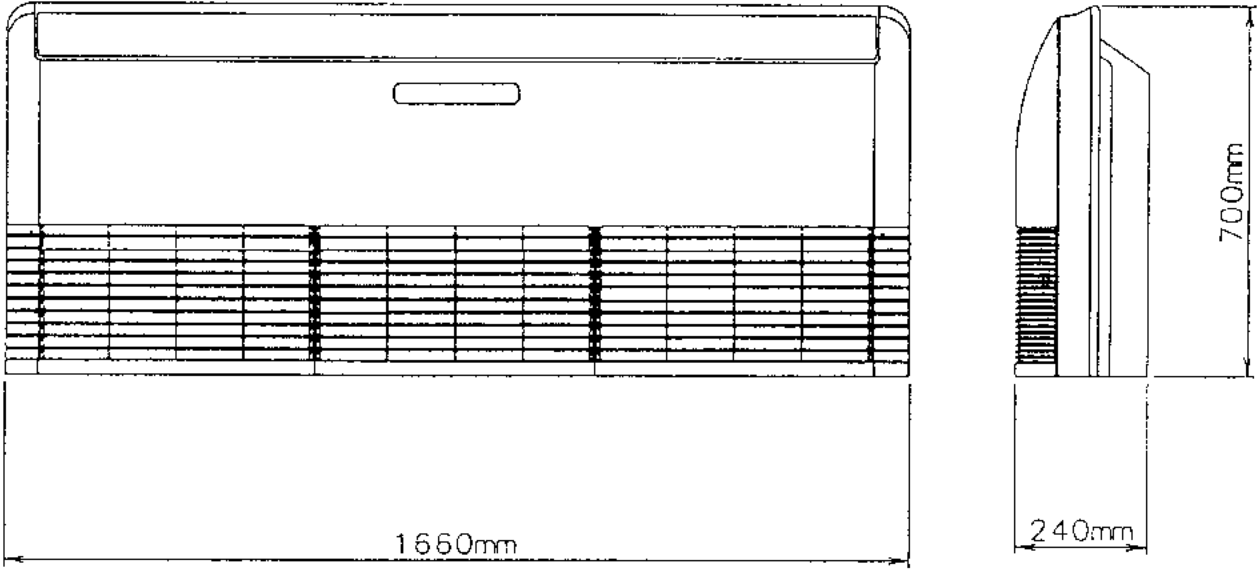
| | | | | | |
|--------------|------------------|----------|----------|-----------|-----------|
| INDOOR UNIT | GROSS / NET (kg) | 61 / 48 | | 61 / 48 | |
| OUTDOOR UNIT | GROSS / NET (kg) | 110 / 96 | 110 / 96 | 116 / 102 | 122 / 108 |

ADDITIONAL REFRIGERANT

| PIPE LENGTH | | 5 m(16 ft) | 10 m(33 ft) | 20 m(66 ft) | 30 m(99 ft) | 40 m(132 ft) | 50 m(164 ft) |
|--------------------|--------|-------------------|-------------------|-------------------|-------------------|-------------------|-------------------|
| FULL CHARGE AMOUNT | ABY36A | 2,150 g(75.8 oz.) | 2,285g(80.6 oz.) | 2,555 g(90.1 oz.) | 2,825 g(99.6oz.) | 3,095 g(109.2oz.) | 3,365 g(118.7oz.) |
| | ABY36R | | 2,800 g(98.8 oz.) | | 3,200 g(112.9oz.) | 3,600 g(127.0oz.) | 4,000 g(141.1oz.) |
| | ABY45A | | 3,150 g(111.1oz.) | | 3,550 g(125.2oz.) | 3,950 g(139.3oz.) | 4,350 g(153.4oz.) |
| | ABY45R | | 3,400 g(119.9oz.) | | 3,800 g(134.0oz.) | 4,200 g(148.2oz.) | 4,600 g(162.3oz.) |

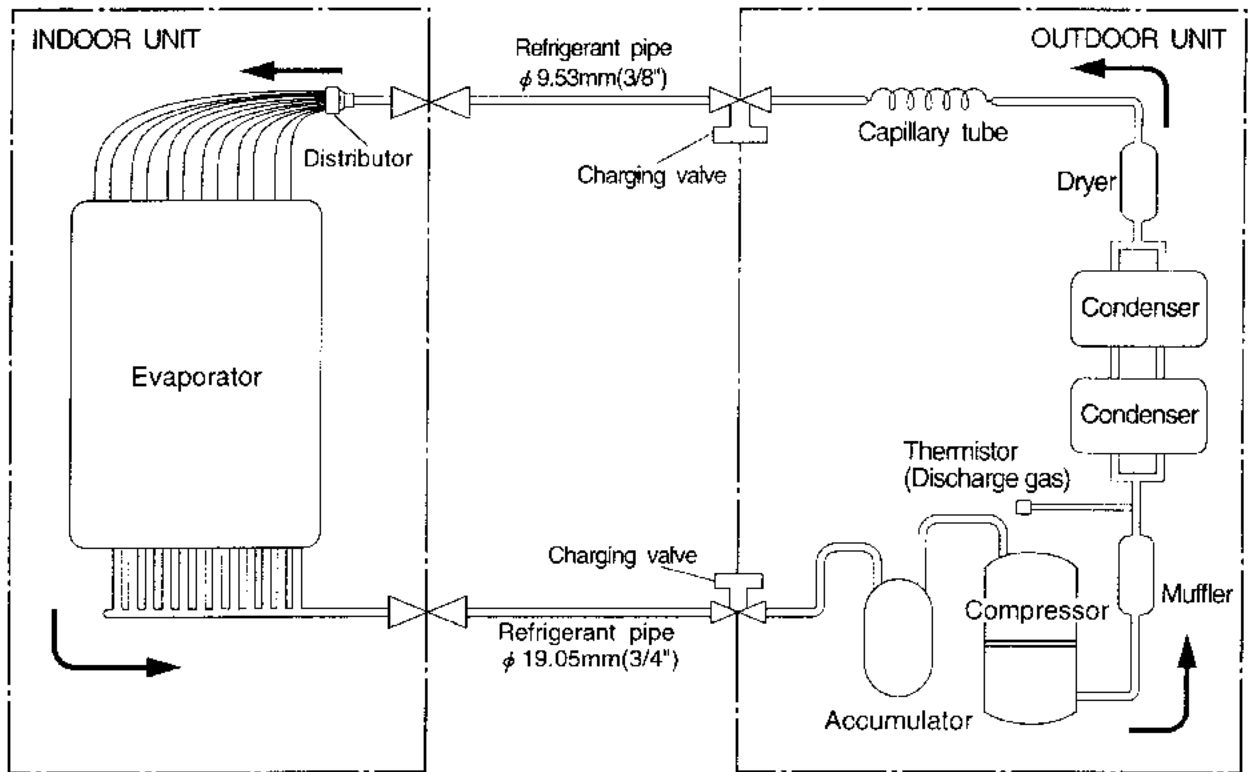
Note : • Between 5 m and 50 m, when using a connection pipe other than that in the table, charge additional refrigerant with 27 g(0.95 oz.)/1 m(3.3 ft) for 36A Model, 40 g(1.41 oz.)/1 m(3.3 ft) for 36R, 45A, 45R Models as the criteria.
• The above list shows values at the external static pressure of 10 mm Hg (98 Pa.)

OUTLINE AND DIMENSIONS

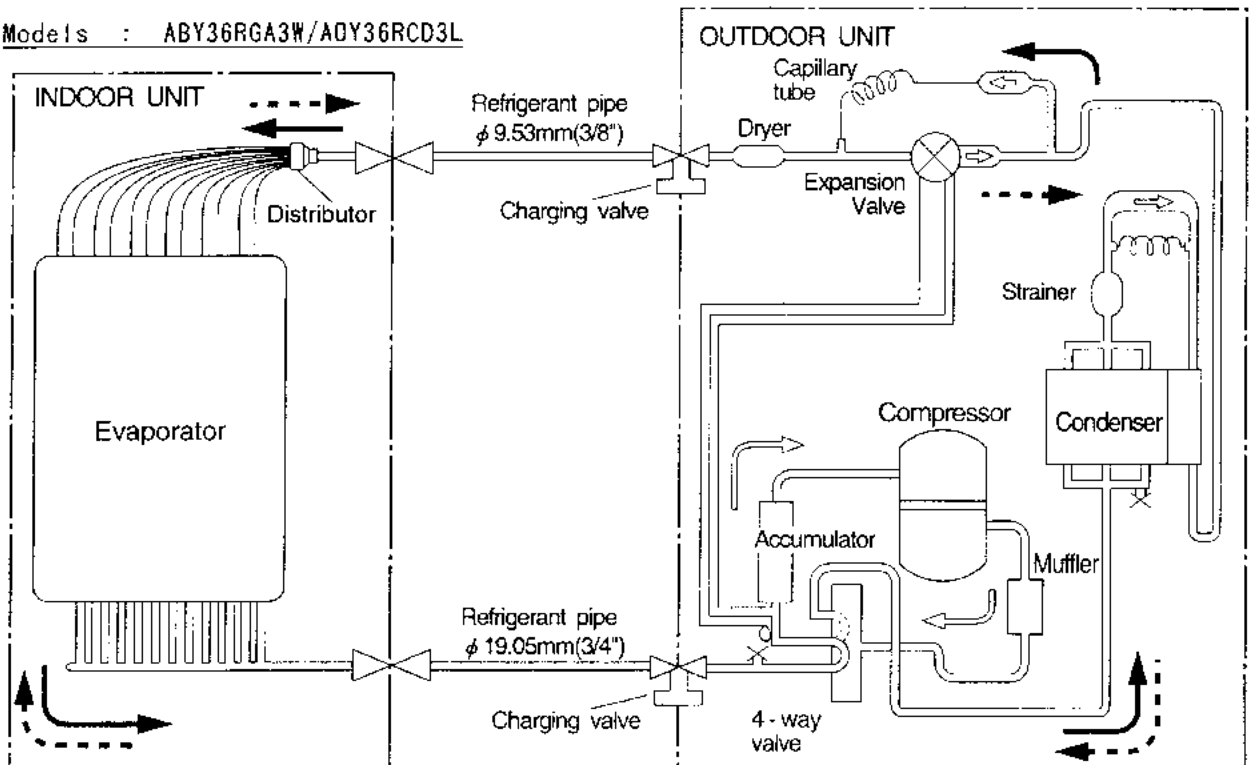


REFRIGERANT SYSTEM DIAGRAM

Models : ABY36AGA3W/ADY36ACA3L



Models : ABY36RGA3W/ADY36RCD3L

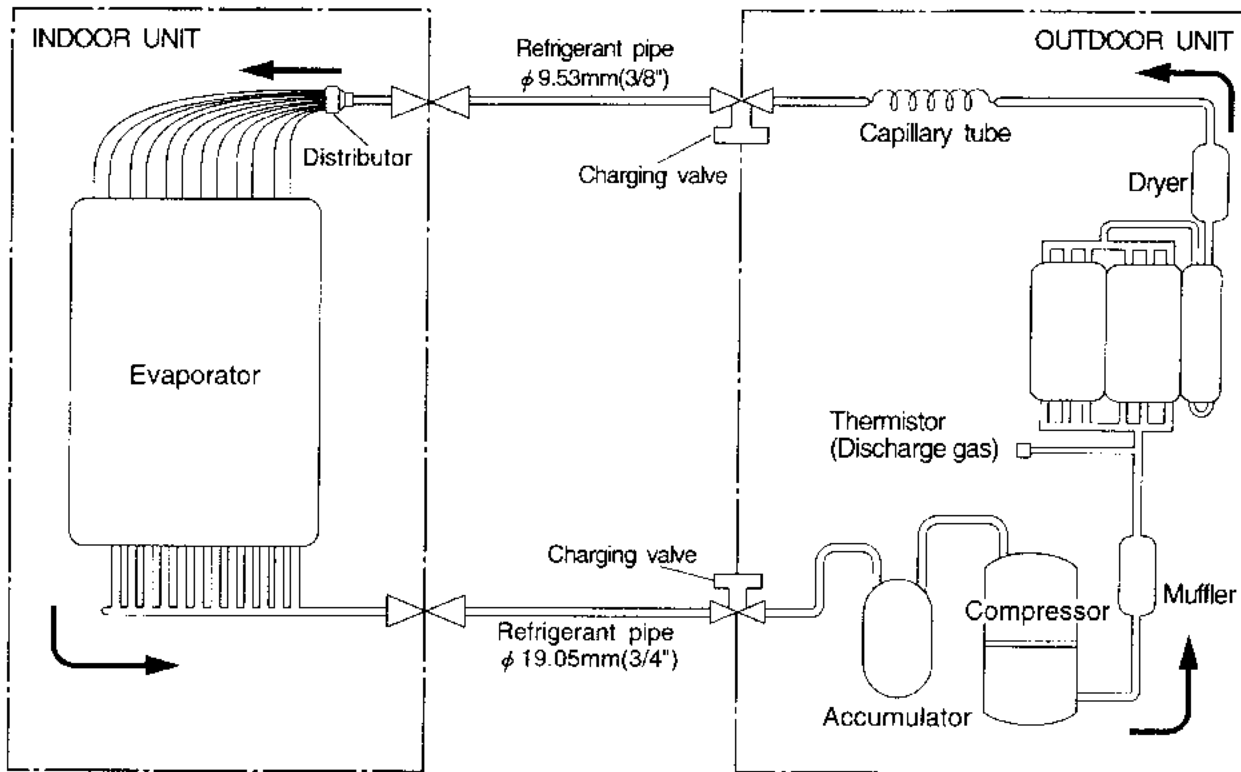


: Flare coupling

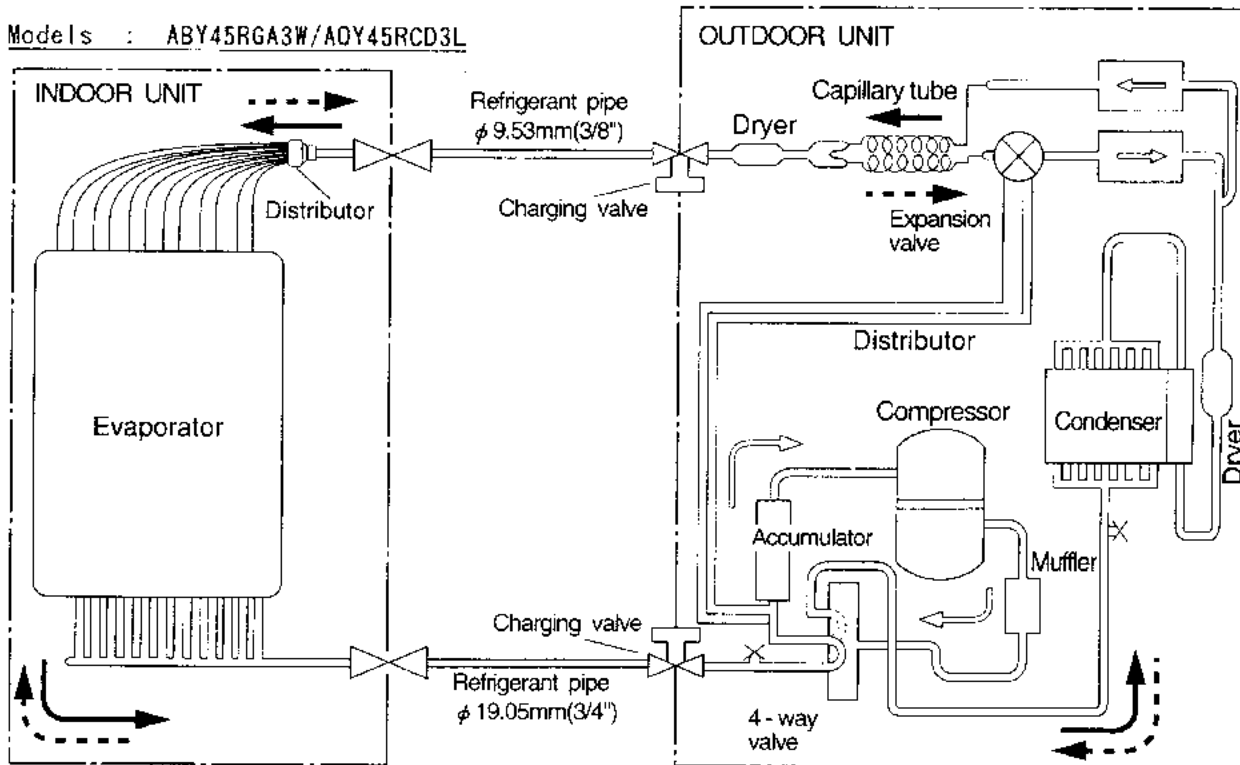
: Cooling

: Heating


Models : ABY45AGA3W/ADY45ACA3L

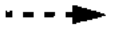


Models : ABY45RGA3W/ADY45RCD3L



 : Flare coupling

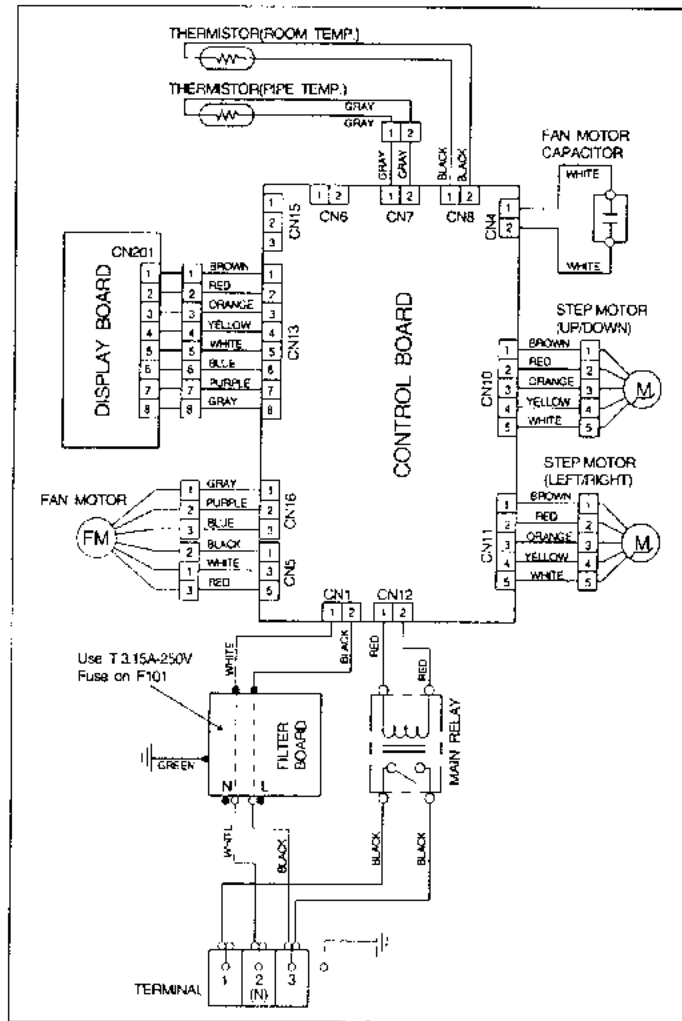
 Cooling

 Heating

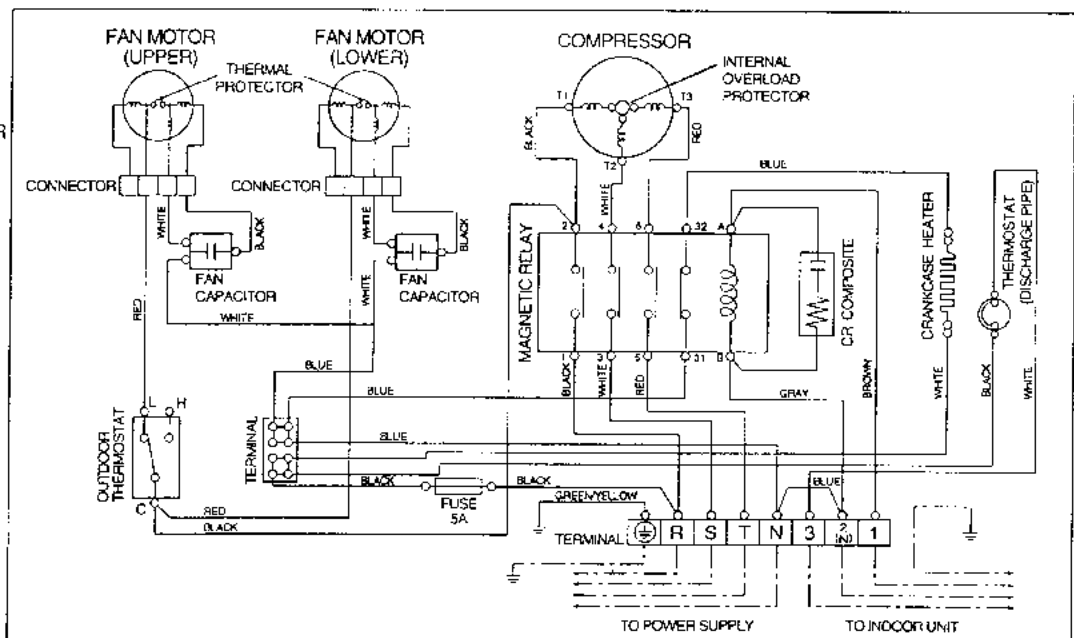
C I R C U I T D I A G R A M

Models : ABY36AGA3W/AOY36ACA3L
 ABY45AGA3W/AOY45ACA3L

INDOOR UNIT

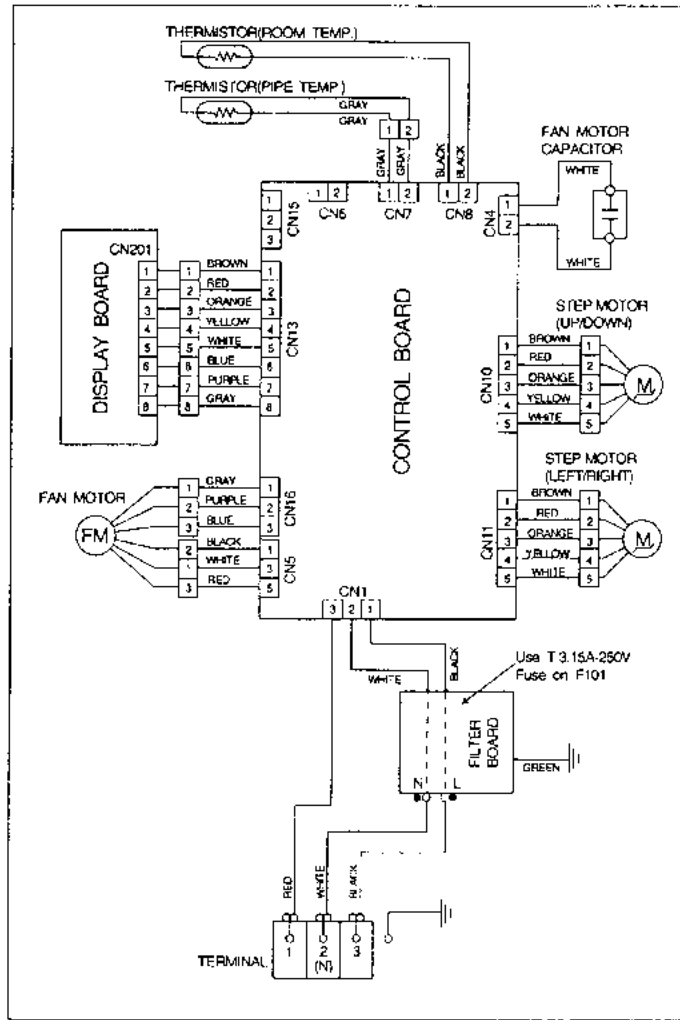


OUTDOOR UNIT

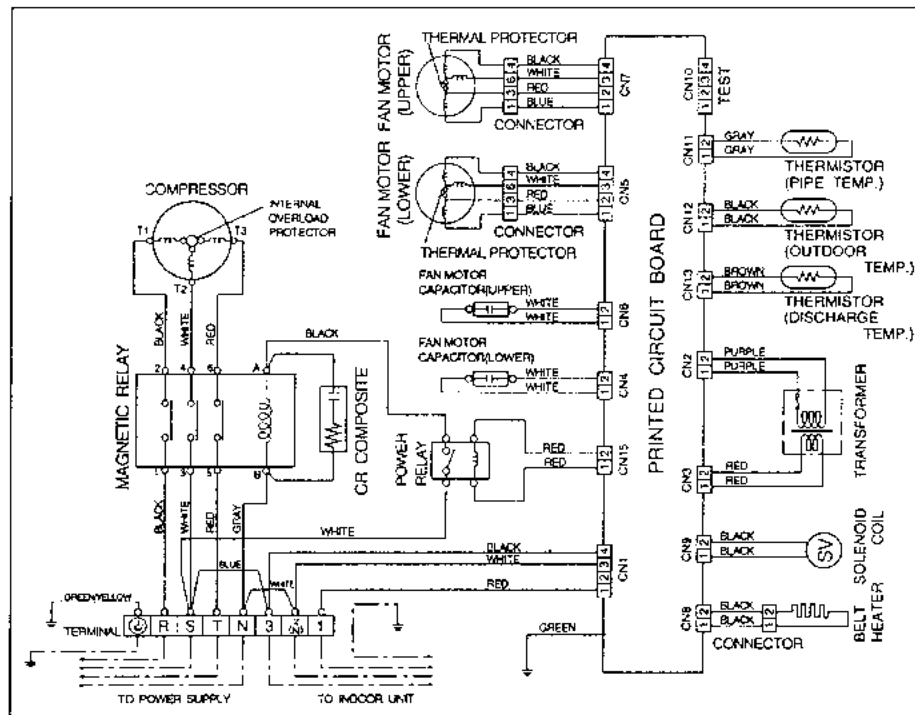


Models : ABY36GA3W/AOY36RCD3L
 ABY45RGA3W/AOY45RCD3L

INDOOR UNIT

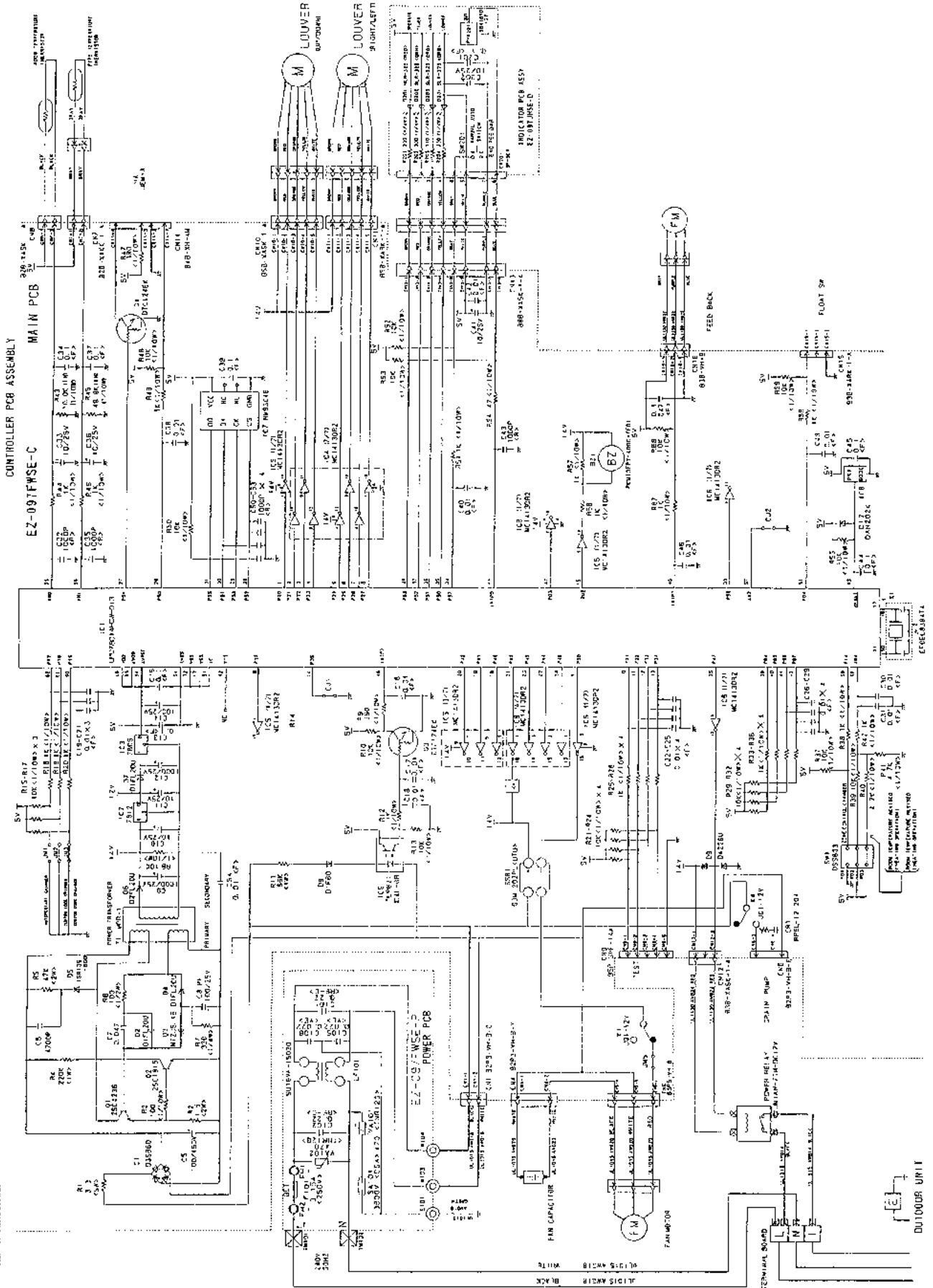


OUTDOOR UNIT

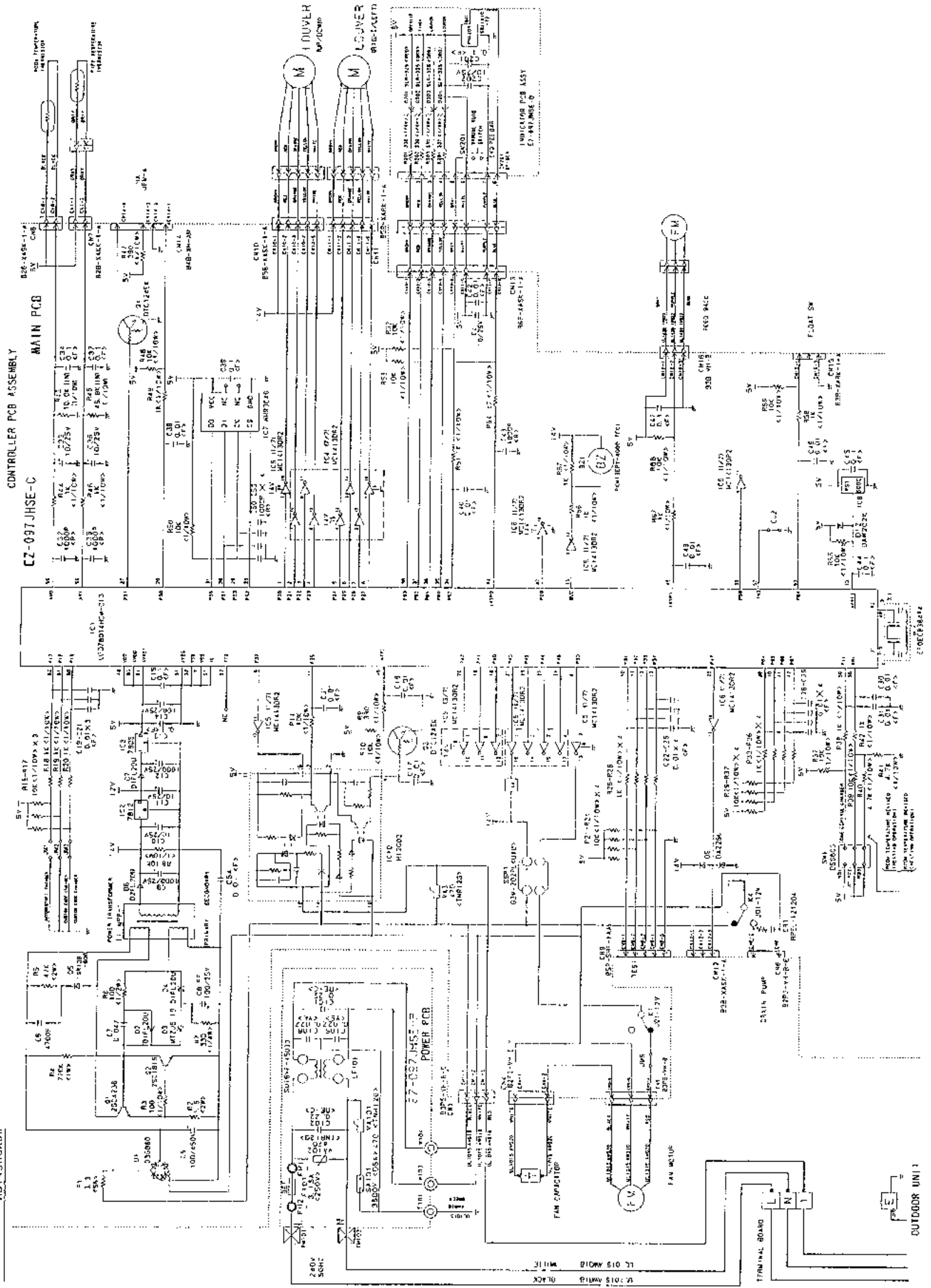


INDOOR PRINTED CIRCUIT BOARD CIRCUIT DIAGRAM

Models : ABY36GA3W
ABY45GA3W



Models : ABY36RGA3W
ABY45RGA3W

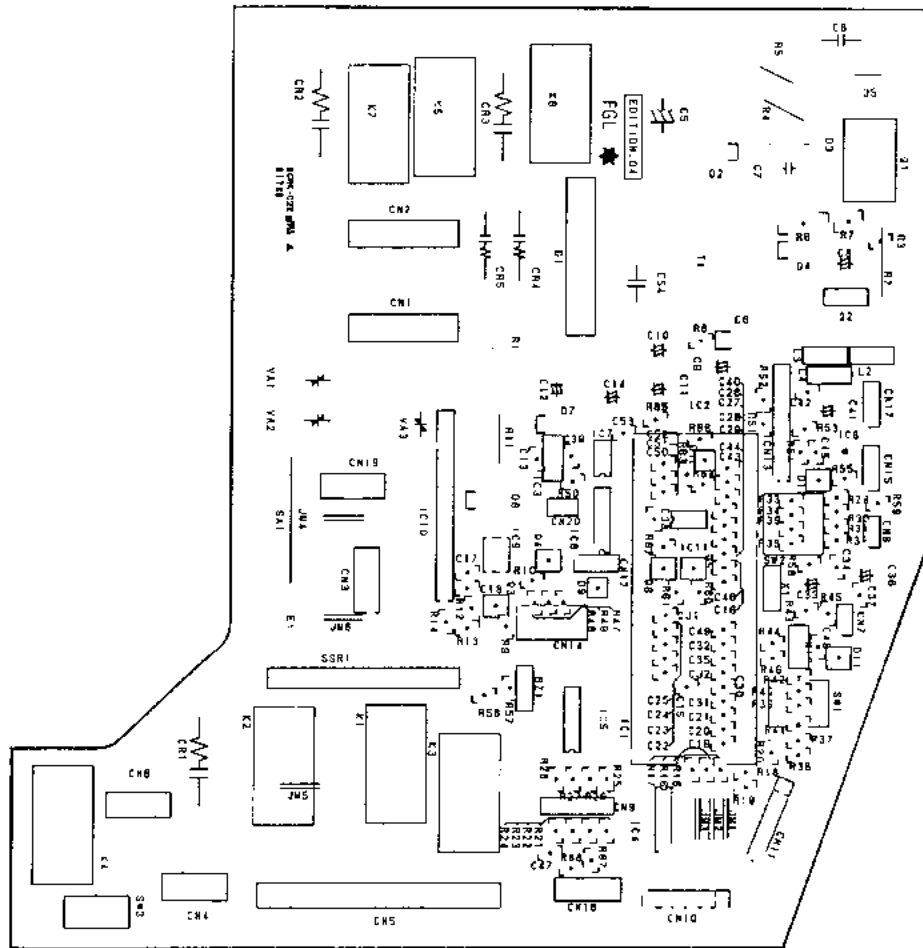


P. C. BOARD LAYOUTS

Models : ABY36AGA3W, ABY36RGA3W
 ABY45AGA3W, ABY45RGA3W

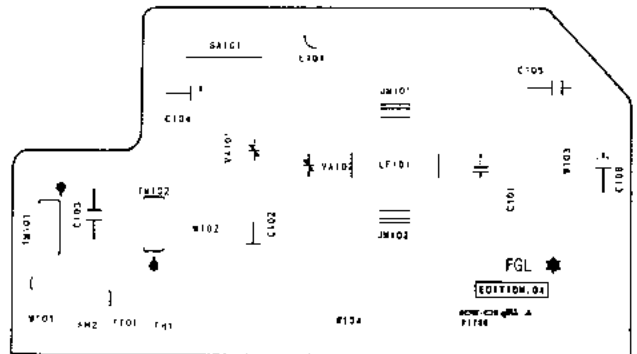
CONTROLLER P. C. BOARD ASSEMBLY

(Viewed from the solder side)



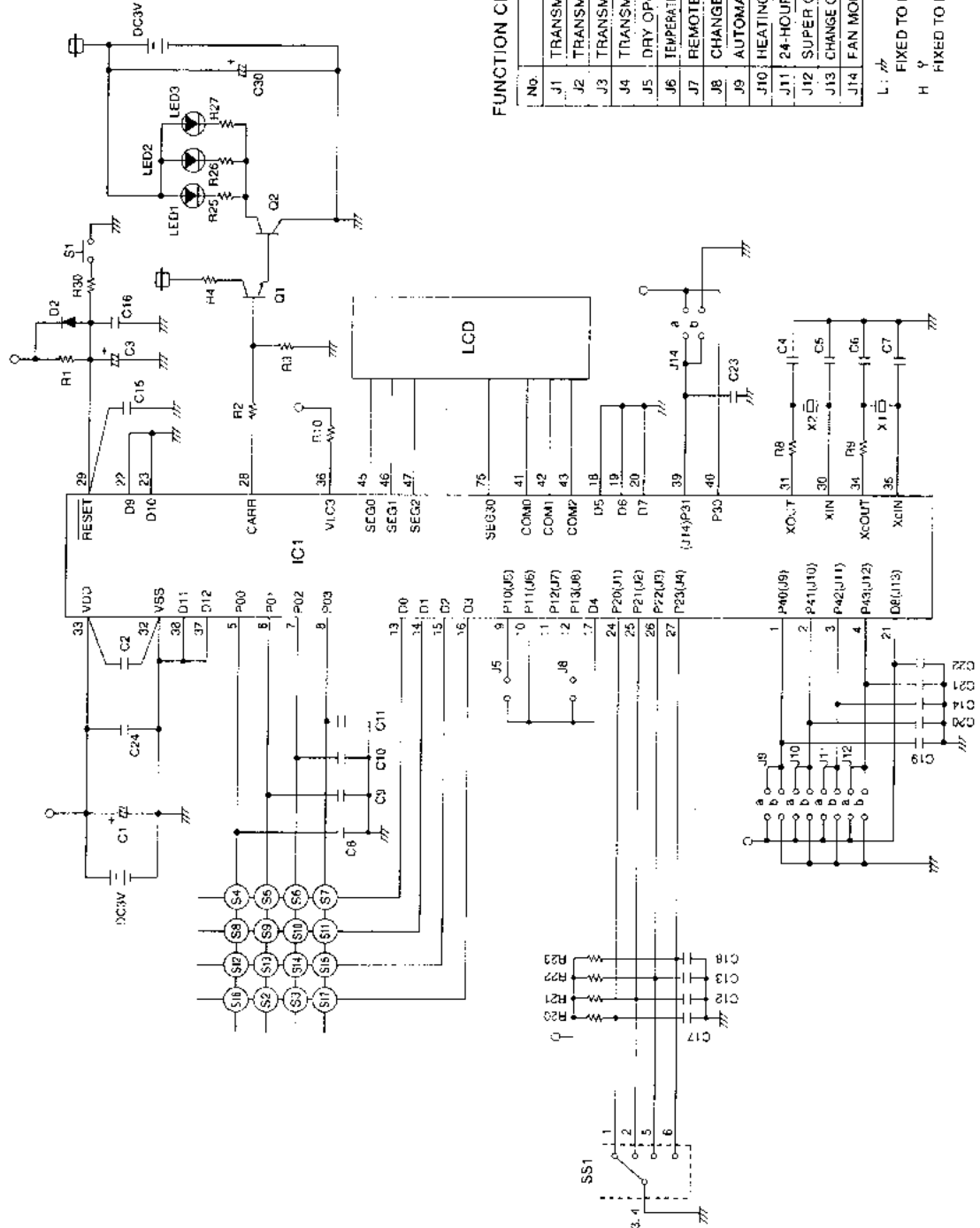
INDICATOR P. C. BOARD ASSEMBLY
 (Viewed from the solder side)

FILTER P. C. BOARD ASSEMBLY
 (Viewed from the solder side)



KEY NO. : KEY FUNCTION
 CORRESPONDENCE TABLE

| No. | KEY FUNCTION |
|-----|---------------------------|
| S1 | ACL |
| S2 | TIMER ADJUST |
| S3 | TEST RUN |
| S4 | START/STOP |
| S5 | MASTER CONTROL |
| S6 | SET TEMP (-), SET TIME(+) |
| S7 | SET TEMP(+), SET TIME(-) |
| S8 | FAN CONTROL |
| S9 | |
| S10 | |
| S11 | UP AND DOWN SWING |
| S12 | UP AND DOWN WIND |
| S13 | ENERGY SAVE |
| S14 | RIGHT AND LEFT SWING |
| S15 | TIMER SELECTOR |
| S16 | SLEEP |
| S17 | RIGHT AND LEFT WIND |



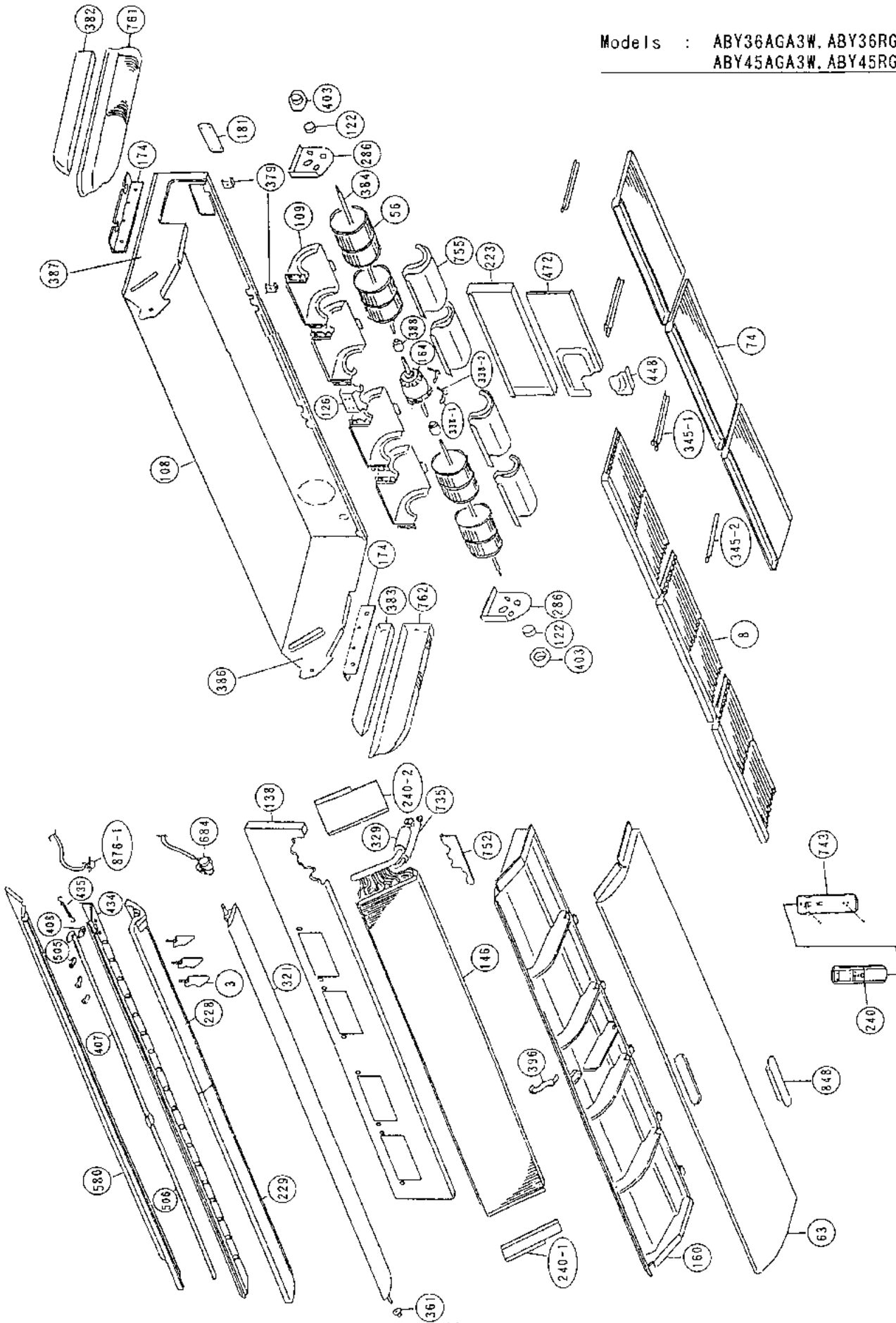
FUNCTION CHANGE BY THE JUMPER WIRE

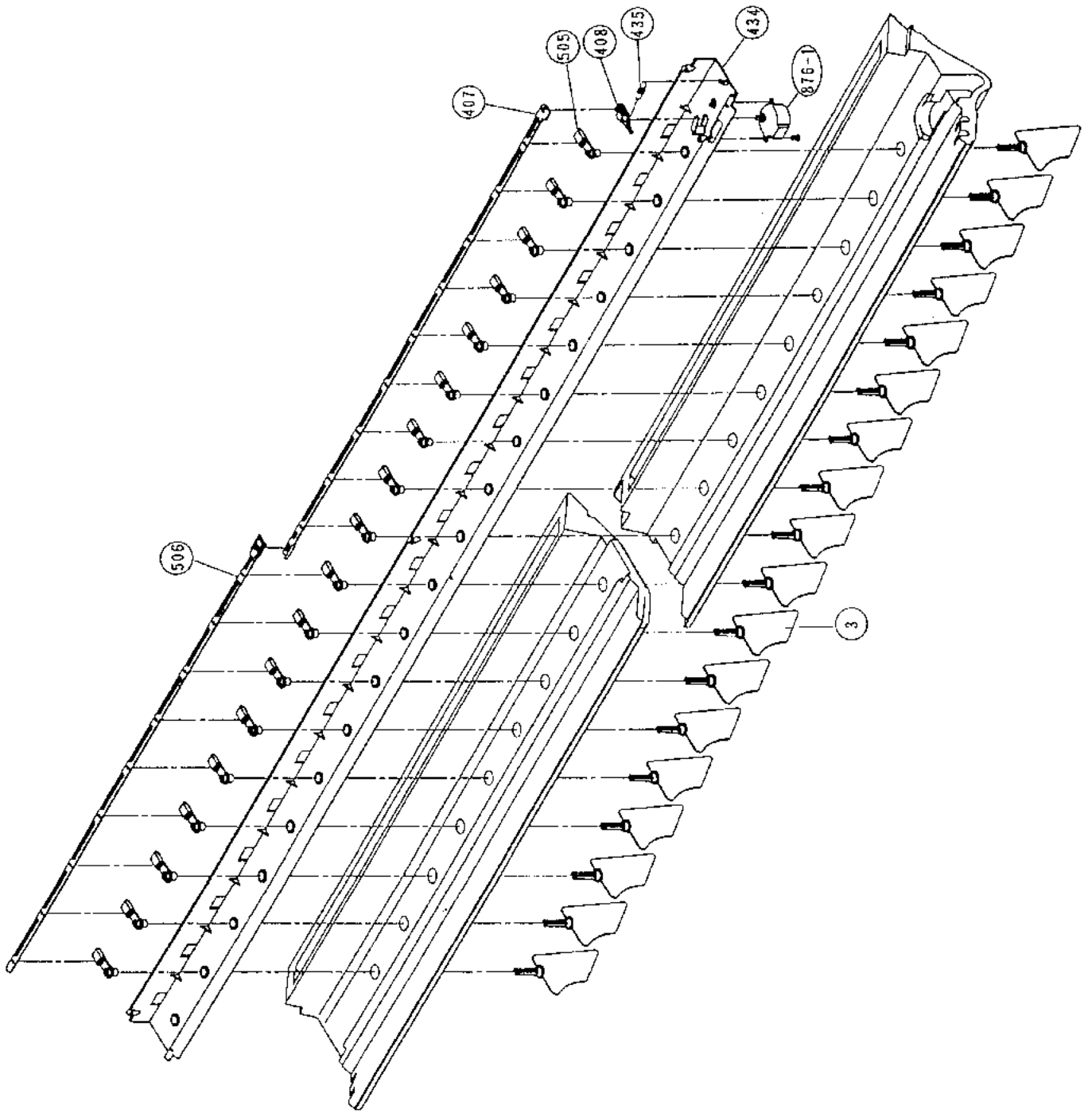
| No. | FUNCTION |
|-----|--|
| J1 | TRANSMITTING CODE CHANGE L |
| J2 | TRANSMITTING CODE CHANGE H |
| J3 | TRANSMITTING CODE CHANGE H |
| J4 | TRANSMITTING CODE CHANGE H |
| J5 | DRY OPERATION H |
| J6 | TEMPERATURE DISPLAY OF AUTOMATIC OPERATION L |
| J7 | REMOTE CONTROL SELECTOR H |
| J8 | CHANGE OF TEMPERATURE UNIT H |
| J9 | AUTOMATIC OPERATION H |
| J10 | HEATING OPERATION R |
| J11 | 24-HOUR/12-HOUR H |
| J12 | SUPER QUIET H |
| J13 | CHANGE OF AUTOMATIC OPERATION DISPLAY H |
| J14 | FAN MODE H |

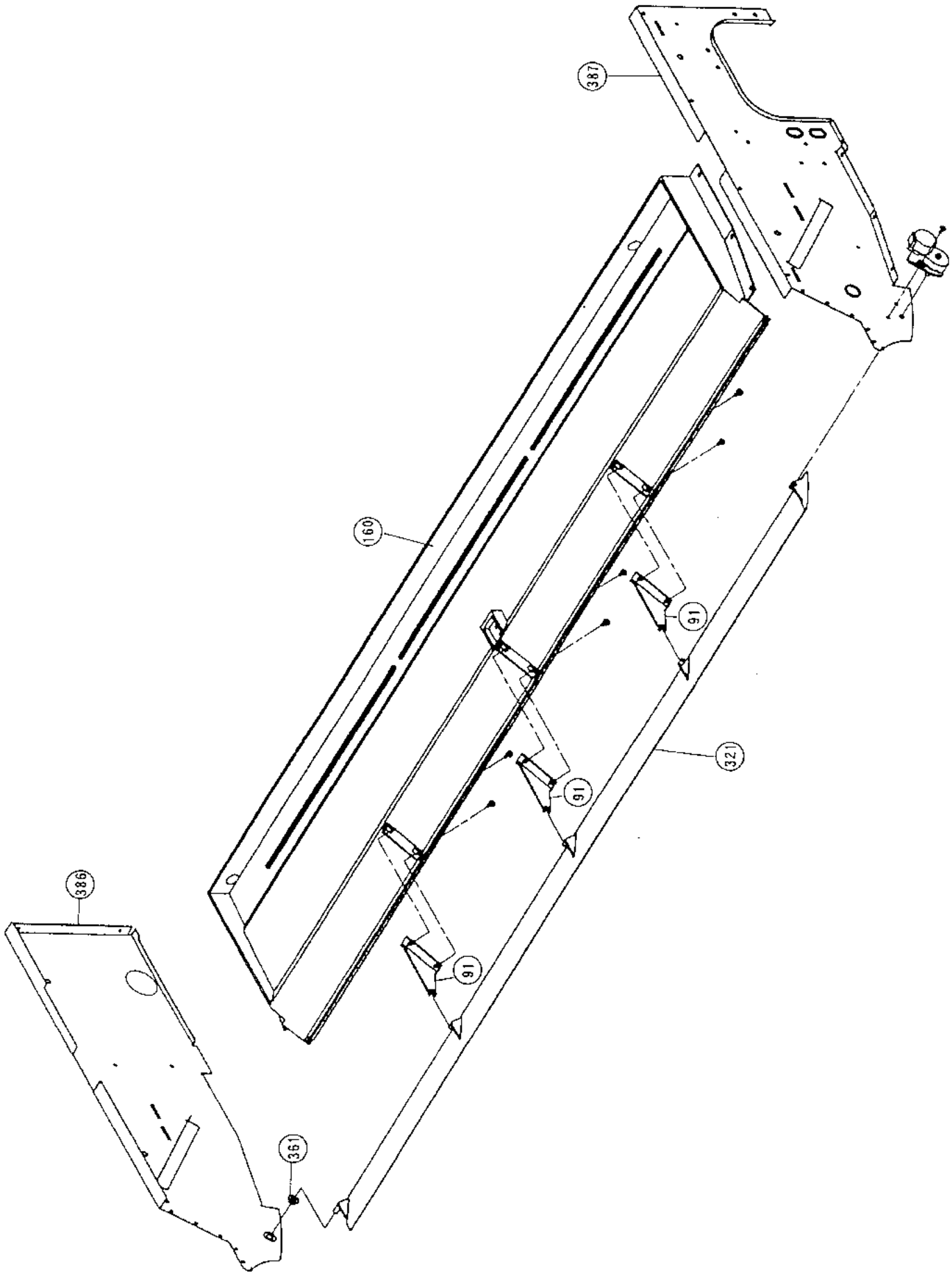
L : FIXED TO LOW LEVEL
 H : FIXED TO HIGH LEVEL
 R : FIXED TO HIGH LEVEL

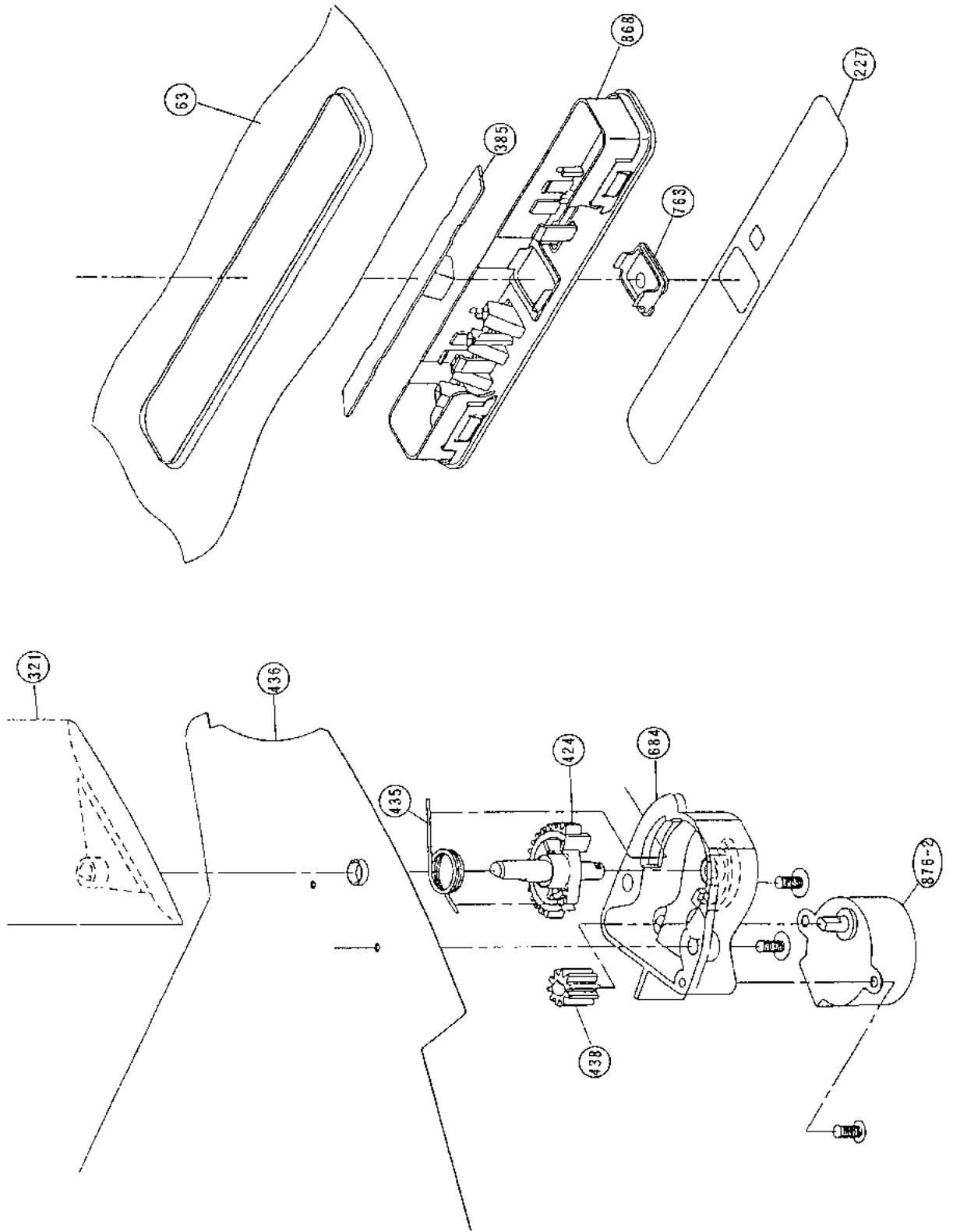
DISASSEMBLY ILLUSTRATION

Models : ABY36AGA3W, ABY36RGA3W
ABY45AGA3W, ABY45RGA3W

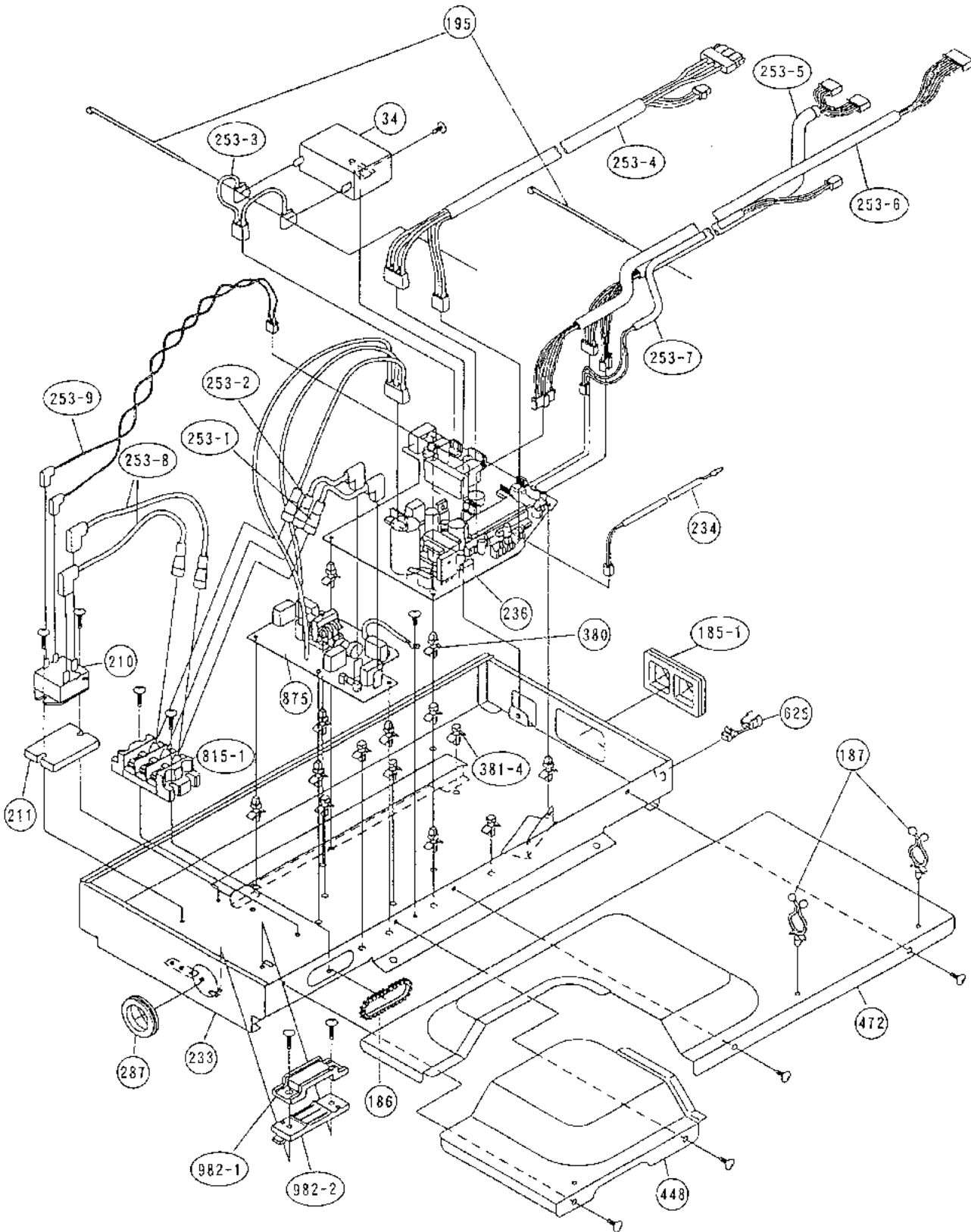




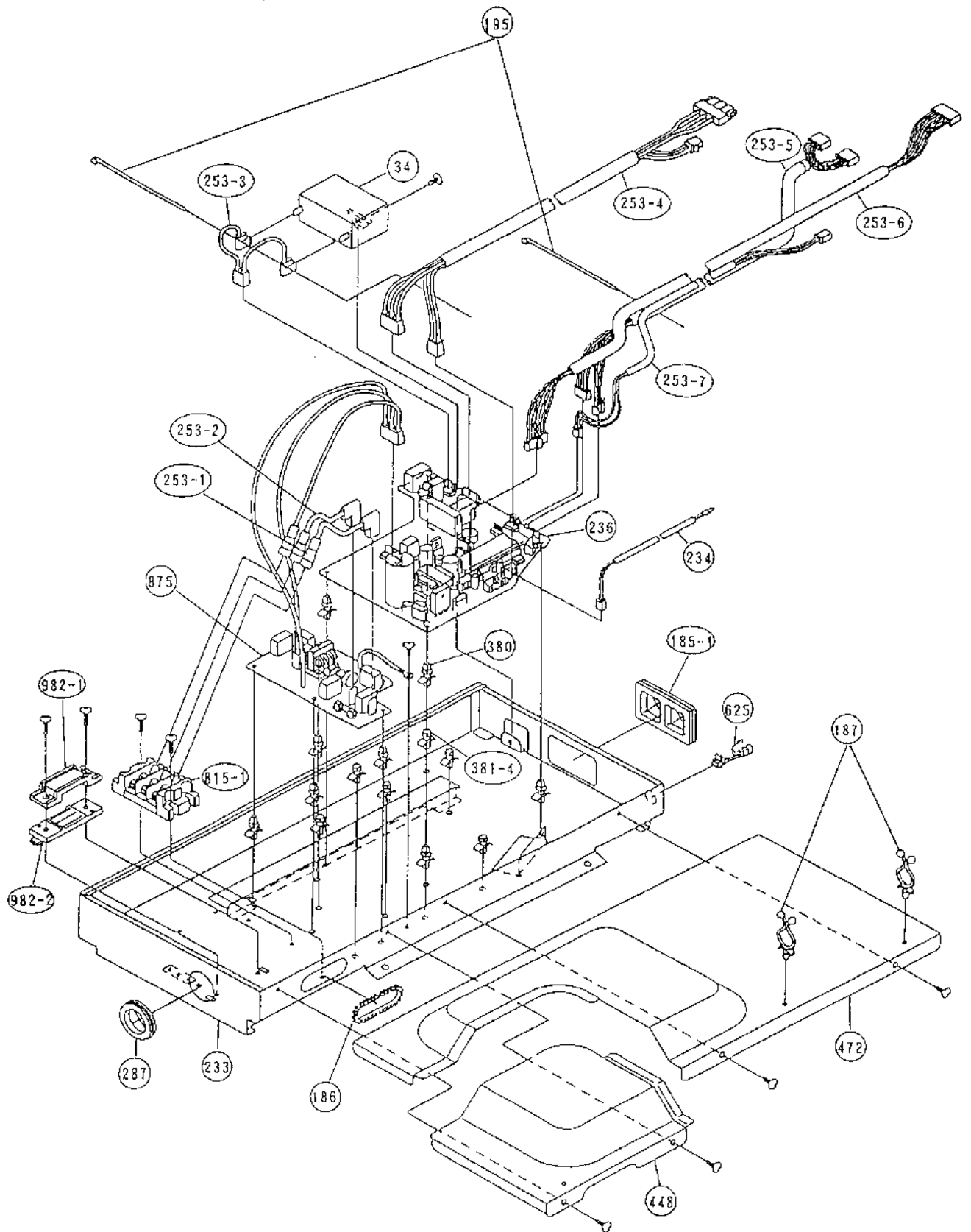


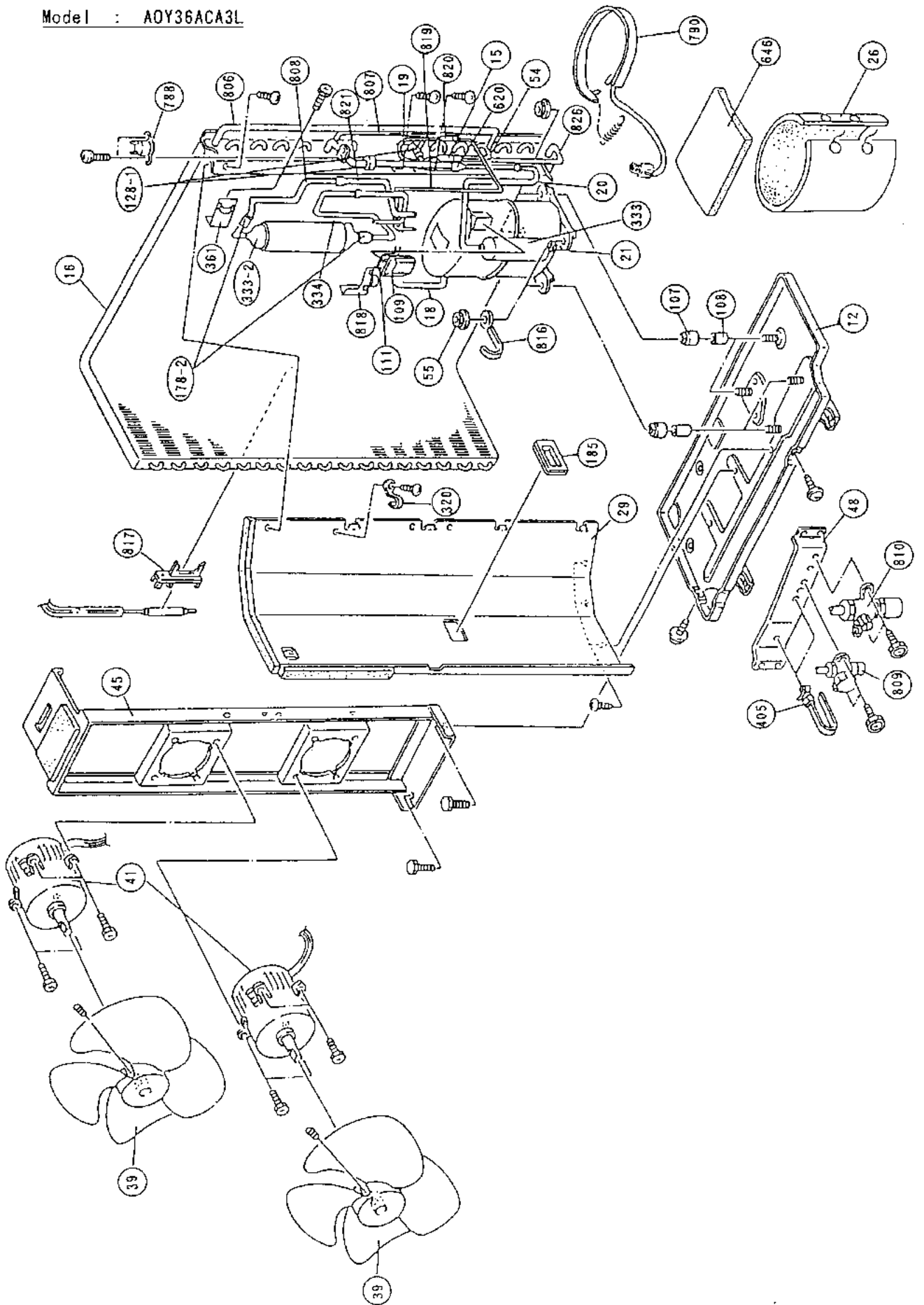


Models : ABY36AGA3W
ABY45AGA3W

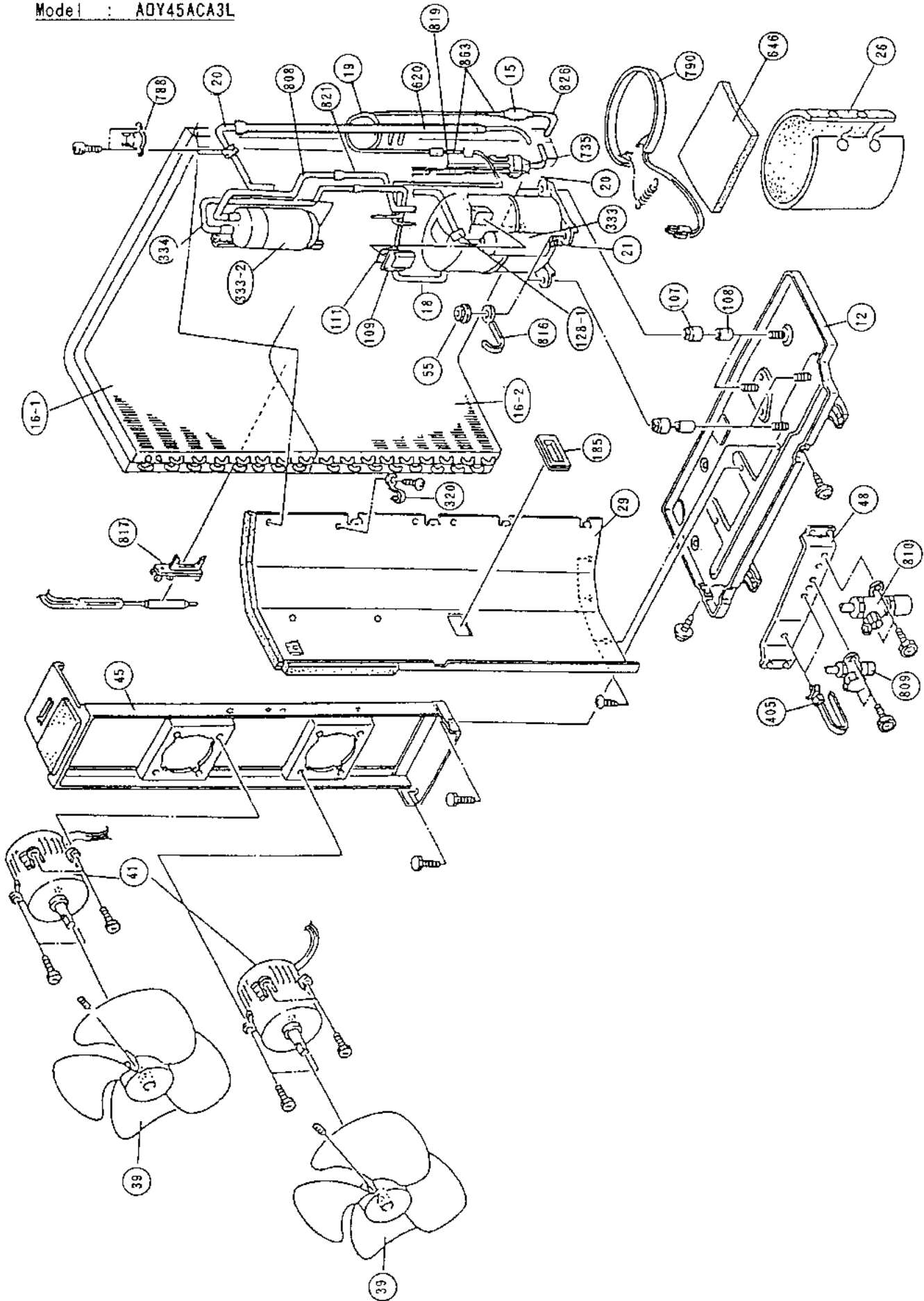


Models : ABY36RGA3W
ABY45RGA3W

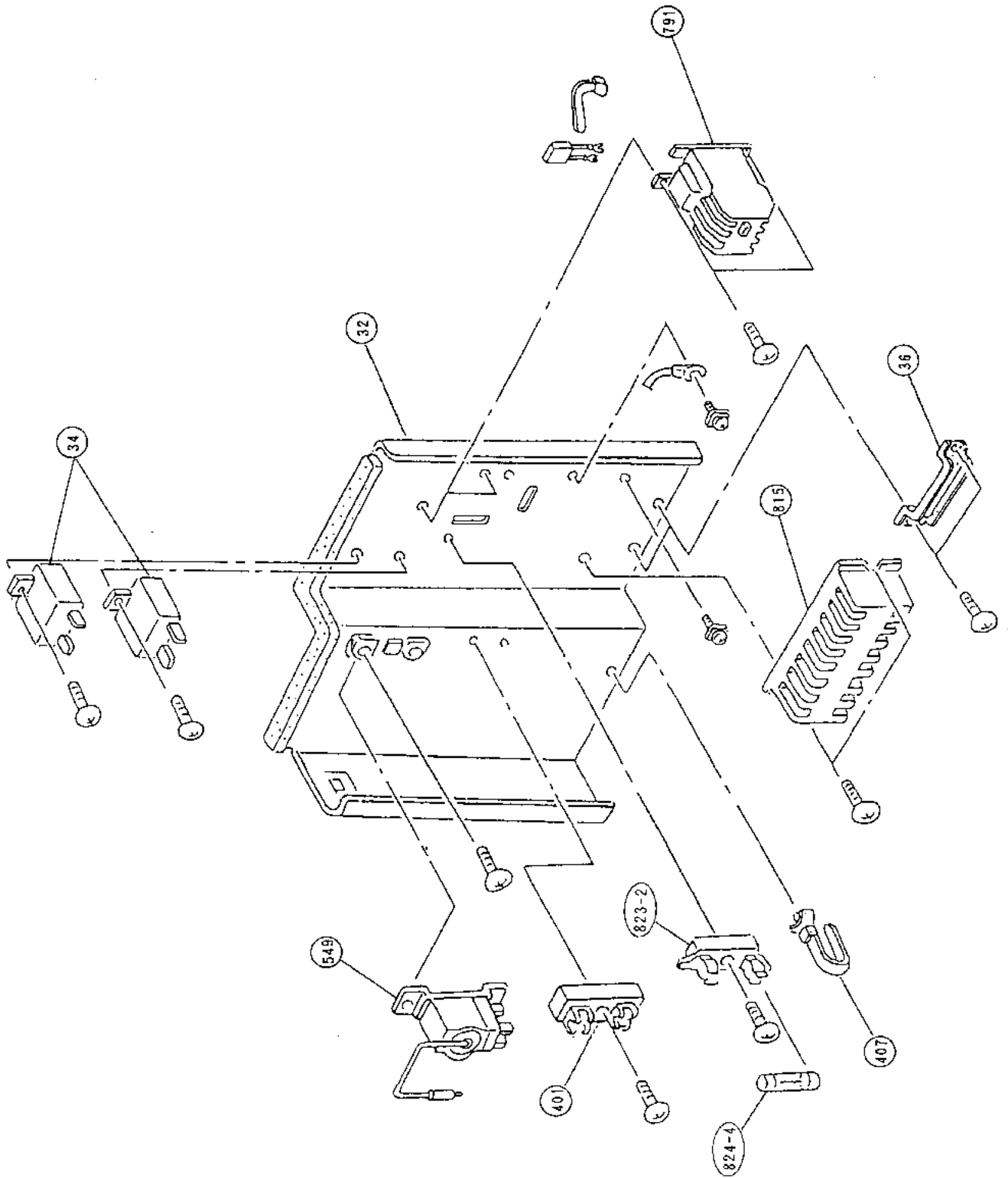




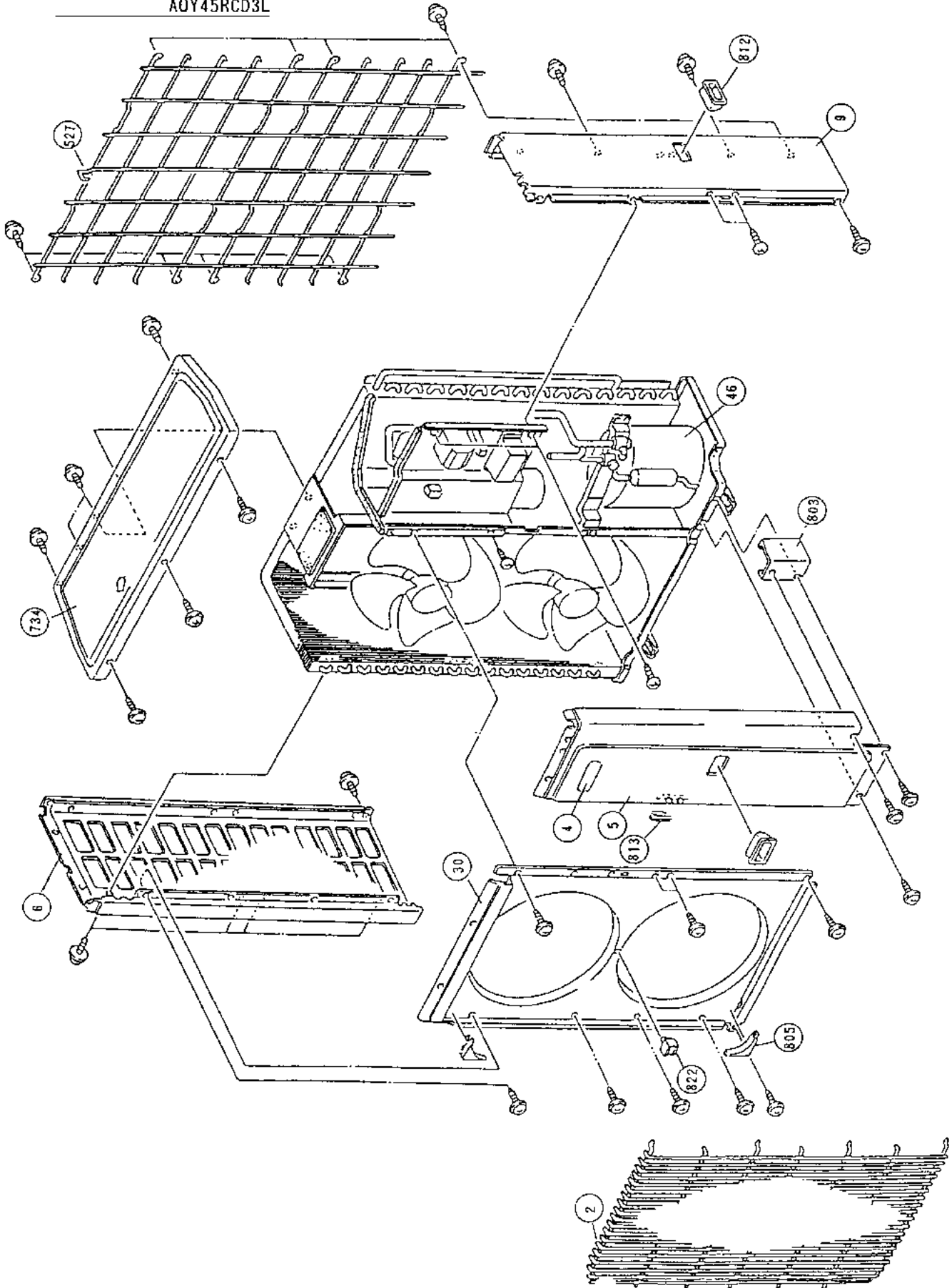
Model : ADY45ACA3L



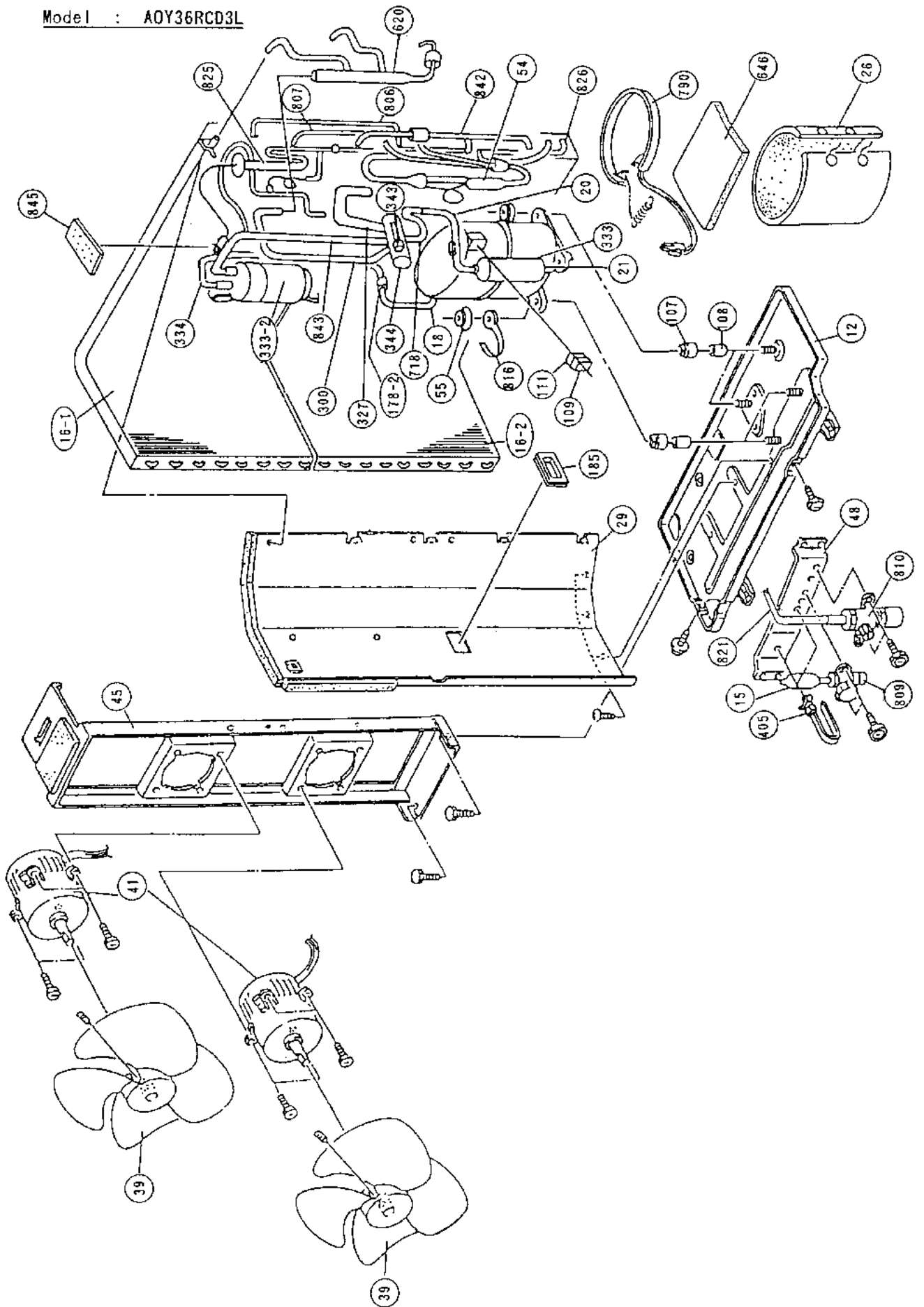
Models : AOY36ACA3L
AOY45ACA3L



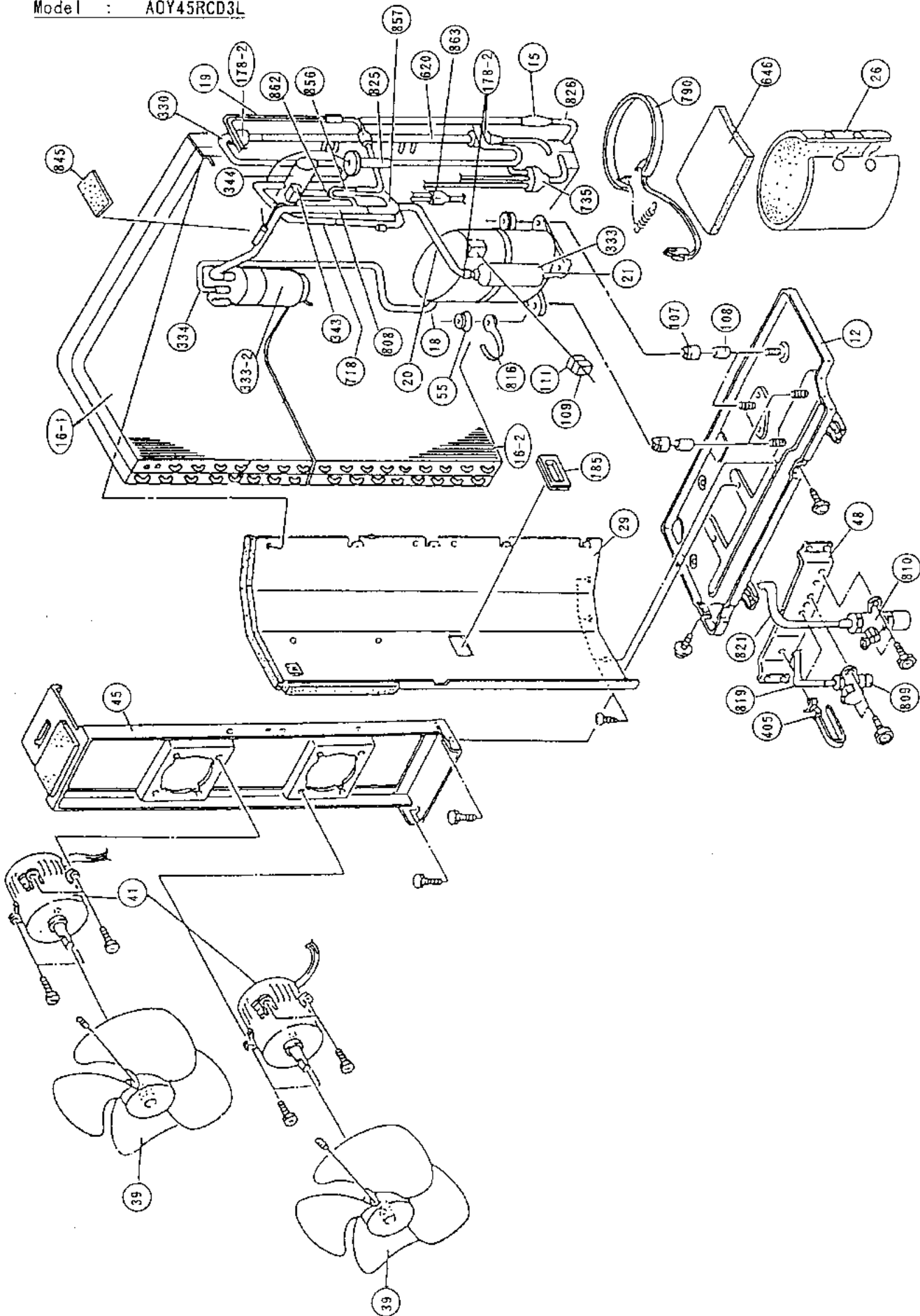
Models : ADY36RCD3L
AOY45RCD3L



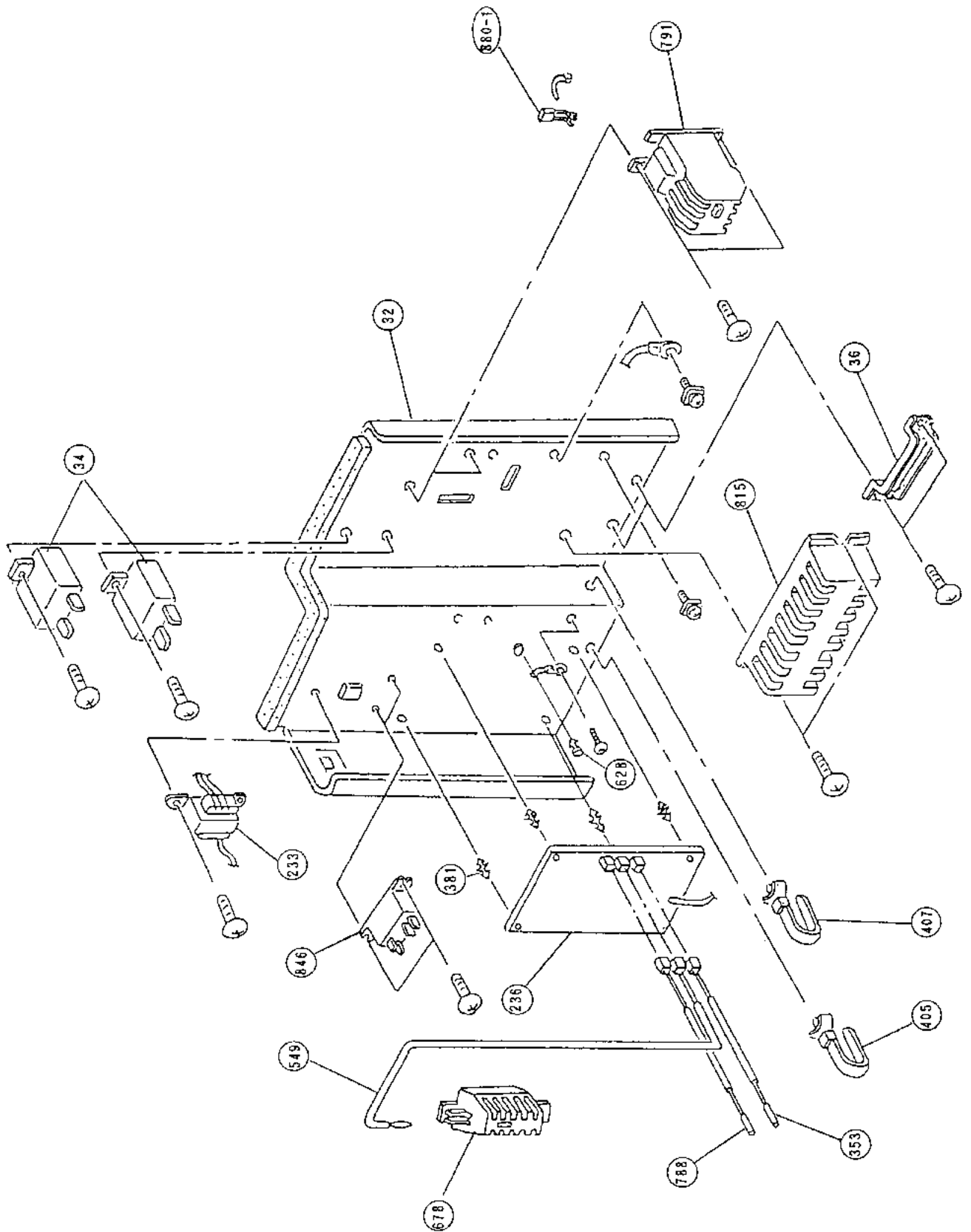
Model : AOY36RCD3L



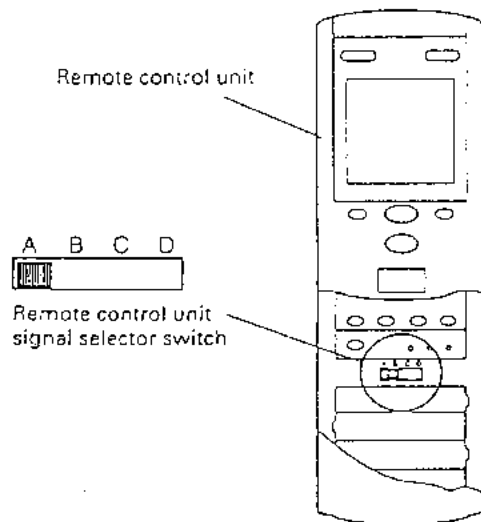
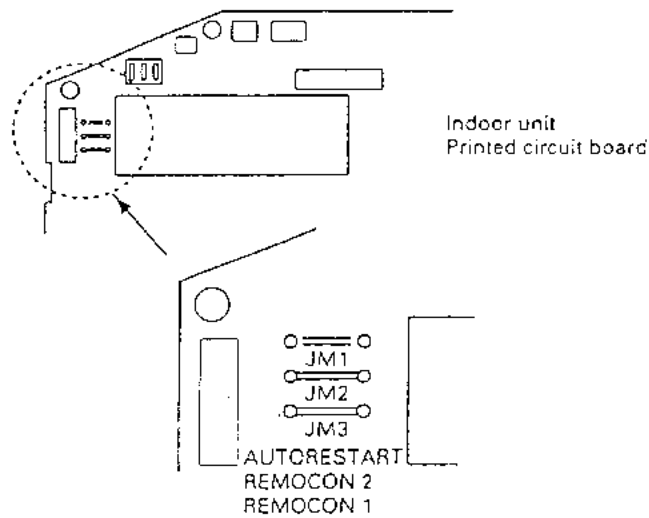
Model : AOY45RCD3L



Models : AOY36RCD3L
AOY45RCD3L



REMOTE CONTROL UNIT SWITCHING



Confirm the remote control unit signal selector switch selection and printed circuit board setting.
If these are not confirmed, the remote control unit cannot be operated for the air conditioner.

| Jumper wire | | Remote control unit signal selector switch |
|-------------|------------|---|
| JM 2 | JM 3 | |
| Connect | Connect | A (Primary setting) |
| Disconnect | Connect | B |
| Connect | Disconnect | C |
| Disconnect | Disconnect | D |

PARTS LIST

ABY36RGA3W
ABY45AGA3W
ABY45RGA3W

When you order parts, please make a photocopy of this page
and fill the number of the parts in the "Order" column.

INDOOR UNIT

| Ref. No. | Description | Part No. | | | | Order Q'ty |
|----------|------------------------|--------------|--------------|--------------|--------------|------------|
| | | ABY36AGA3W | ABY36RGA3W | ABY45AGA3W | ABY45RGA3W | |
| 3 | Louwer | 9359719007 | 9359719007 | 9359719007 | 9359719007 | |
| 8 | Air Filter | 9359739005 | 9359739005 | 9359739005 | 9359739005 | |
| 34 | Capacitor (Fan Motor) | 9700467069 | 9700467069 | 9700467069 | 9700467069 | |
| 56 | Sirocco Fan Assy | 9359701002 | 9359701002 | 9359701002 | 9359701002 | |
| 63 | Panel (Front) | 9359734000 | 9359734000 | 9359734000 | 9359734000 | |
| 74 | Intake Grille | 9359738008 | 9359738008 | 9359738008 | 9359738008 | |
| 91 | Hinge | 9359699002 | 9359699002 | 9359699002 | 9359699002 | |
| 108 | Base Assy | 9359680000 | 9359680000 | 9359680000 | 9359680000 | |
| 109 | Casing | 9359704003 | 9359704003 | 9359704003 | 9359704003 | |
| 122 | Beaming B Assy | 9357921006 | 9357921006 | 9357921006 | 9357921006 | |
| 126 | Bracket (Motor) | 9359681007 | 9359681007 | 9359681007 | 9359681007 | |
| 138 | Separate Wail | 9359700005 | 9359700005 | 9359700005 | 9359700005 | |
| 146 | Evaporator Assy | 9359696001 | 9359696001 | 9359696001 | 9359696001 | |
| 160 | Drain Pan | 9359698005 | 9359698005 | 9359698005 | 9359698005 | |
| 164 | Fan Motor Assy-IN | 9360457004 | 9360457004 | 9360457004 | 9360457004 | |
| 174 | Hanger | 9359742005 | 9359742005 | 9359742005 | 9359742005 | |
| 181 | Hole Cover | 9359691006 | 9359691006 | 9359691006 | 9359691006 | |
| 185-1 | Rubber Bushing | 9357376004 | 9357376004 | 9357376004 | 9357376004 | |
| 186 | Cover (Edge) | 9360537010 | 9360537010 | 9360537010 | 9360537010 | |
| 187 | Clamp No. 1219 | 313361271706 | 313361271706 | 313361271706 | 313361271706 | |
| 195 | Clamp SKB-100 | 313361275805 | 313361275805 | 313361275805 | 313361275805 | |
| 211 | Cushion Rubber | 313806328306 | - | 9359735014 | - | |
| 227 | Badge "FUJITSU" | 9359735014 | 9359735014 | 9359735014 | 9359735014 | |
| 228 | Insulation (Louwer)R | 9359721000 | 9359721000 | 9359721000 | 9359721000 | |
| 229 | Insulation (Louwer)L | 9359722007 | 9359722007 | 9359722007 | 9359722007 | |
| 233 | Control Box Assy | 9359708001 | 9359708001 | 9359708001 | 9359708001 | |
| 234 | Thermistor | 9701946020 | 9701946020 | 9701946020 | 9701946020 | |
| 236 | Controller PCB Assy | 9701941186 | 9701941186 | 9701941186 | 9701941186 | |
| 240 | Remote Control Unit | 9359913023 | 9359913016 | 9359913023 | 9359913016 | |
| 240-1 | Cover Panel (Pipe)-L | 9359690009 | 9359690009 | 9359690009 | 9359690009 | |
| 240-2 | Cover Panel (Pipe)-R | 9359689003 | 9359689003 | 9359689003 | 9359689003 | |
| 253-1 | Wire Assy (Connector) | 9702321017 | 9702321017 | 9702321017 | 9702321017 | |
| 253-2 | Wire Assy (Connector) | 9702322014 | 9702322014 | 9702322014 | 9702322014 | |
| 253-3 | Wire Assembly | 9702311018 | 9702311018 | 9702311018 | 9702311018 | |
| 253-4 | Wire Assy (Connector) | 9702323011 | 9702323011 | 9702323011 | 9702323011 | |
| 253-5 | Wire Assy (Connector) | 9702319014 | 9702319014 | 9702319014 | 9702319014 | |
| 253-6 | Wire Assy (Connector) | 9702317010 | 9702317010 | 9702317010 | 9702317010 | |
| 253-7 | Wire Assy (Connector) | 9702318017 | 9702318017 | 9702318017 | 9702318017 | |
| 253-8 | Wire Assy (Connector) | 9702309015 | - | 9359689003 | - | |
| 253-9 | Wire Assembly | 9702066055 | - | 9702066055 | - | |
| 286 | Bracket (Bearing) | 9359686002 | 9359686002 | 9359686002 | 9359686002 | |
| 287 | Cap (Power) | 9352173011 | 9352173011 | 9352173011 | 9352173011 | |
| 321 | Flap Assy | 9359731009 | 9359731009 | 9359731009 | 9359731009 | |
| 329 | Coupling Pipe Assy | 9360456007 | 9360456007 | 9360456007 | 9360456007 | |
| 338-1 | Fixture (Motor) | 9359702009 | 9359702009 | 9359702009 | 9359702009 | |
| 338-2 | Fixture (Motor)-B | 9359703006 | 9359703006 | 9359703006 | 9359703006 | |
| 345-1 | Filter Guide-R | 9359692003 | 9359692003 | 9359692003 | 9359692003 | |
| 345-2 | Filter Guide-L | 9359693000 | 9359693000 | 9359693000 | 9359693000 | |
| 361 | Bushing | 9359733003 | 9359733003 | 9359733003 | 9359733003 | |
| 379 | Hinge Plate (Grille) | 9359694007 | 9359694007 | 9359694007 | 9359694007 | |
| 380 | Locking Spacer KGLS-6S | 313209391403 | 313209391403 | 313209391403 | 313209391403 | |
| 381-4 | Spacer | 0600118075 | 0600118075 | 0600118075 | 0600118075 | |
| 382 | Cover (Decoration)-R | 9359744009 | 9359744009 | 9359744009 | 9359744009 | |
| 383 | Cover (Decoration)-L | 9359745006 | 9359745006 | 9359745006 | 9359745006 | |
| 384 | Shaft | 9359707004 | 9359707004 | 9359707004 | 9359707004 | |
| 385 | Indicator PCB Assy | 9702260019 | 9702260019 | 9702260019 | 9702260019 | |
| 386 | Panel Left Assy | 9359685005 | 9359685005 | 9359685005 | 9359685005 | |
| 387 | Panel Right Assy | 9359683001 | 9359683001 | 9359683001 | 9359683001 | |
| 388 | Joint Assy | 9359706007 | 9359706007 | 9359706007 | 9359706007 | |
| 396 | Rfm Bracke: Metal | 9359697008 | 9359697008 | 9359697008 | 9359697008 | |
| 403 | Fixture (Bearing) | 9359687009 | 9359687009 | 9359687009 | 9359687009 | |
| 407 | Rod (Motor) | 9359723004 | 9359723004 | 9359723004 | 9359723004 | |
| 408 | Link (Louwer) | 9359726005 | 9359726005 | 9359726005 | 9359726005 | |
| 424 | Sector Gear | 9359729006 | 9359729006 | 9359729006 | 9359729006 | |
| 434 | Base (Louwer) | 9359718000 | 9359718000 | 9359718000 | 9359718000 | |
| 435 | Louwer Spring | 9359720003 | 9359720003 | 9359720003 | 9359720003 | |
| 436 | Flap Spring | 9359730002 | 9359730002 | 9359730002 | 9359730002 | |
| 438 | Pinion Gear | 9359728009 | 9359728009 | 9359728009 | 9359728009 | |
| 448 | Control Box-B | 9359713005 | 9359713005 | 9359713005 | 9359713005 | |
| 472 | Control Box-A | 9359712008 | 9359712008 | 9359712008 | 9359712008 | |
| 505 | Stopper (Louwer) | 9359724001 | 9359724001 | 9359724001 | 9359724001 | |
| 506 | Rod (Louwer) | 9359725008 | 9359725008 | 9359725008 | 9359725008 | |
| 580 | Cover (Top) | 9359737001 | 9359737001 | 9359737001 | 9359737001 | |

Y36AGA3W/AOY36ACA3L
 Y36RGA3W/AOY36RCD3L
 Y45AGA3W/AOY45ACA3L
 Y45RGA3W/AOY45RCD3L

When you order parts, please make a photocopy of this page and fill the number of the parts in the "Order" column.

INDOOR UNIT (Continued)

| Ref. No. | Description | Part No. | | | | Order Q'ty |
|----------|----------------------------|------------|------------|------------|------------|------------|
| | | ABY36AGA3W | ABY36RGA3W | ABY45AGA3W | ABY45RGA3W | |
| 625 | Cord Bushing | 9359240006 | 9359240006 | 9359240006 | 9359240006 | |
| 684 | Motor Base | 9359727002 | 9359727002 | 9359727002 | 9359727002 | |
| 735 | Distributor Assy | 9360455000 | 9360455000 | 9360455000 | 9360455000 | |
| 743 | Remote Control Holder Case | 9359955016 | 9359955016 | 9359955016 | 9359955016 | |
| 752 | Bracket Panel (Pipe) | 9359688006 | 9359688006 | 9359688006 | 9359688006 | |
| 755 | Cover (Casing) | 9359705000 | 9359705000 | 9359705000 | 9359705000 | |
| 761 | Cover (Side)-R | 9359740001 | 9359740001 | 9359740001 | 9359740001 | |
| 762 | Cover (Side)-L | 9359741008 | 9359741008 | 9359741008 | 9359741008 | |
| 763 | Cover (Receiver) | 9359714002 | 9359714002 | 9359714002 | 9359714002 | |
| 815-1 | Terminal-3P | 9358660027 | 9358660027 | 9358660027 | 9358660027 | |
| 868 | PCB Holder | 9359736004 | 9359736004 | 9359736004 | 9359736004 | |
| 875 | PWB Sub Assy | 9702275013 | 9702219017 | 9702275013 | 9702219017 | |
| 876-1 | Motor, Step-H | 9360479013 | 9360479013 | 9360479013 | 9360479013 | |
| 876-2 | Motor, Step-V | 9360307026 | 9360307026 | 9360307026 | 9360307026 | |
| 982-1 | Cord Clamp-A | 9359820017 | 9359820017 | 9359820017 | 9359820017 | |
| 982-2 | Cord Clamp-B | 9359821014 | 9359821014 | 9359821014 | 9359821014 | |

OUTDOOR UNIT

| Ref. No. | Description | Part No. | | | | Order Q'ty |
|----------|----------------------------|--------------|--------------|--------------|--------------|------------|
| | | AOY36ACA3L | AOY36RCD3L | AOY45ACA3L | AOY45RCD3L | |
| 2 | Fan Cover | 9352159015 | 9352159015 | 9352159015 | 9352159015 | |
| 4 | Emblem-Rear "FUJITSU" | 9351355005 | 9351355005 | 9351355005 | 9351355005 | |
| 5 | Cabinet-A, Painted | 9352146015 | 9352146015 | 9352146015 | 9352146015 | |
| 6 | Cabinet-C, Painted | 9352149016 | 9352149016 | 9352149016 | 9352149016 | |
| 9 | Cabinet-B, Painted | 9352147012 | 9352147012 | 9352147012 | 9352147012 | |
| 12 | Base Assy, Painted | 9352136016 | 9352136016 | 9352136016 | 9352136016 | |
| 15 | Dryer | 9300589031 | 9353789006 | 9353789006 | 9353789006 | |
| 16 | Condenser Assy | 9352128011 | - | - | - | |
| 16-1 | Condenser-A Assy | - | 9353023001 | 9355338011 | 9355338011 | |
| 16-2 | Condenser-B Assy | - | 9353024008 | 9353363008 | 9353363008 | |
| 18 | Suction Pipe | 9352286001 | 9352286001 | 9353200006 | 9353200006 | |
| 19 | Capillary Tube | 9352439001 | - | 9353644008 | 9353373007 | |
| 20 | Discharge Pipe | 9352288005 | 9357362007 | 9353620002 | 9357359007 | |
| 21 | Discharge Pipe-B | 9352289002 | 9352289002 | 9353209009 | 9353209009 | |
| 26 | Compressor Cover-A | 9352416002 | 9352416002 | 9353367006 | 9353367006 | |
| 29 | Separate Wall | 9355277013 | 9355277013 | 9355277013 | 9355277013 | |
| 30 | Blower Cover, Painted | 9352151019 | 9352151019 | 9352151019 | 9352151019 | |
| 32 | Control Box Metal | 9352134012 | 9352134012 | 9352134012 | 9352134012 | |
| 34 | Capacitor (Fan Motor) | 9357965024 | 9357965024 | 9357965024 | 9357965024 | |
| 36 | Cord Holder Metal | 9356934007 | 9356934007 | 9356934007 | 9356934007 | |
| 39 | Propeller Fan Assy | 9300855013 | 9300855013 | 9300855013 | 9300855013 | |
| 41 | Fan Motor Assy-Outer | 9600266014 | 9600266014 | 9600266014 | 9600266014 | |
| 45 | Bracket (Motor) Assy | 9352141003 | 9352141003 | 9352141003 | 9352141003 | |
| 46 | Compressor Assy | 9352412004 | 9352412004 | 9353157003 | 9353157003 | |
| 48 | Bracket (Coupler) Assy | 9355281010 | 9355281010 | 9355281010 | 9355281010 | |
| 54 | Condensing Pipe-A | 9352296000 | 9357337005 | - | - | |
| 55 | Special Nut M8 (For Comp.) | 313252257701 | 313252257701 | 313252257701 | 313252257701 | |
| 107 | Rubber Seat-A (For Comp.) | 9351875039 | 9351875039 | 9351875039 | 9351875039 | |
| 108 | Sleeve-A (For Comp.) | 9351875046 | 9351875046 | 9351875046 | 9351875046 | |
| 109 | Terminal Cover (For Comp.) | 9351875053 | 9351875053 | 9351875053 | 9353360007 | |
| 111 | Terminal Packing | 9351875060 | 9351875060 | 9351875060 | 9353361004 | |
| 128-1 | Rubber (Discharge Pipe) | 313155086308 | - | 313155086308 | - | |
| 178-2 | Capillary Holder Rubber | 313394274808 | 313394274808 | - | 313394274808 | |
| 185 | Rubber Bushing | 313005066051 | 313005066051 | 313005066051 | 313005066051 | |
| 233 | Power Transformer | - | 9701549016 | - | 9701549016 | |
| 236 | Controller PCB Assy | - | 9701936014 | - | 9701936014 | |
| 300 | Suction Pipe-C | - | 9352759000 | - | - | |
| 320 | Wire Clamp Metal | 313483219905 | - | 313483219905 | - | |
| 327 | Suction Pipe-A | - | 9352754005 | - | - | |
| 330 | Inlet Pipe (Condenser)-A | - | - | - | 9353310002 | |
| 333 | Accumulator | 9350363018 | 9350363018 | 9350363018 | 9350363018 | |
| 333-2 | Accumulator Assy (B) | 9301942019 | 9357987002 | 9357987002 | 9357987002 | |
| 334 | Suction Pipe-B | 9352557002 | 9352287008 | 9352287008 | 9352287008 | |
| 343 | Solenoid Coil | - | 9359616108 | - | 9359616108 | |
| 344 | 4-Way Valve | - | 9353055002 | - | 9353532008 | |
| 353 | Thermistor Assy-Pipe | - | 9701330010 | - | 9701330010 | |
| 361 | Accumulator Support Assy | 9355351003 | - | - | - | |
| 381 | Locking Spacer | - | 313209391506 | - | 313209391506 | |
| 401 | Terminal-2P | 9701971015 | - | 9701971015 | - | |
| 405 | Clamp No. 1763 | 313816345304 | 313816345304 | 313816345304 | 313816345304 | |
| 407 | Clip No. 1259 | 313739340109 | 313739340109 | 313739340109 | 313739340109 | |

When you order parts, please make a photocopy of this page and fill the number of the parts in the "Order" column.

OUTDOOR UNIT

| Ref. No. | Description | Part No. | | | | Order Qty |
|----------|----------------------------|--------------|--------------|--------------|--------------|-----------|
| | | AOY36ACA3L | AOY36RCD3L | AOY45ACA3L | AOY45RCD3L | |
| 527 | Protection Net | 9352163012 | 9352163012 | 9352163012 | 9352163012 | |
| 549 | Thermostat Assy-Outdoor | — | 9357328010 | — | 9357328010 | |
| 549 | Thermostat-Outdoor | 9352426001 | — | 9352426001 | — | |
| 620 | Inlet Pipe (Cond.) Assy | 9355316019 | 9352741005 | 9353183002 | 9353183002 | |
| 628 | Locking Spacer-B | — | 313005446558 | — | 313005446558 | |
| 646 | Compressor Cover-B | 313986355101 | 313986355101 | 9353368003 | 9353368003 | |
| 678 | Bracket (Thermistor) | — | 313557406106 | — | 313557406106 | |
| 718 | Discharge Pipe-C | — | 9352763007 | — | 9353211002 | |
| 734 | Cabinet Top Plate | 9352161018 | 9352161018 | 9352161018 | 9352161018 | |
| 735 | Distributor Assy | — | — | 9353187000 | 9353187000 | |
| 788 | Thermostat-Discharge | — | 9358337028 | — | 9358337028 | |
| 788 | Thermostat-Overheat | 9354061002 | — | 9354061002 | — | |
| 790 | Belt Heater | 9352415005 | 9352415005 | 9353359001 | 9353359001 | |
| 791 | Magnetic Relay | 9352552007 | 9352552007 | 9352552007 | 9352552007 | |
| 803 | Cabinet-D, Painted | 9352150012 | 9352150012 | 9352150012 | 9352150012 | |
| 805 | Blower Cover Corner | 9352160011 | 9352160011 | 9352160011 | 9352160011 | |
| 806 | Cond. Pass Pipe-A | 9352294006 | 9352294006 | — | — | |
| 807 | Cond. Pass Pipe-B | 9353090010 | 9354112001 | — | — | |
| 808 | Inlet Pipe (Accumulator) | 9352556005 | — | 9352285004 | 9353180001 | |
| 809 | Ball Valve-A | 9357976006 | 9357976006 | 9357976006 | 9357976006 | |
| 810 | Ball Valve-B | 9357982007 | 9357982007 | 9357982007 | 9357982007 | |
| 812 | Grip | 9352157004 | 9352157004 | 9352157004 | 9352157004 | |
| 813 | Cabinet Hook | 9352148002 | 9352148002 | 9352148002 | 9352148002 | |
| 815 | Terminal-8P | 9358640029 | 9358640029 | 9358640029 | 9358640029 | |
| 816 | Wire Clamp Metal | 313584219902 | 313584219902 | 313584219902 | 313584219902 | |
| 817 | Thermostat Fixture | 9352164013 | — | 9352164019 | — | |
| 818 | Accumulator Support-B Assy | 9355350006 | — | — | — | |
| 819 | Valve-A Coupl. Pipe | 9352298004 | — | — | — | |
| 820 | Joint Pipe (Capillary) | 9352299001 | — | — | — | |
| 821 | Joint Pipe Assy | 9352284007 | 9352284007 | 9352284007 | 9353070002 | |
| 822 | Fan Cover Fixture-A | 9352158018 | 9352158018 | 9352158018 | 9352158018 | |
| 823-2 | Fuse Holder | 0500053024 | 0500158072 | 0500053024 | — | |
| 824-4 | Fuse | 0600222529 | — | 0600222529 | — | |
| 825 | Expansion Valve Assy | — | 9353001009 | — | 9353311009 | |
| 826 | Condensing Pipe-B | 9352267007 | 9352297007 | 9353215006 | 9353215000 | |
| 842 | Cond. Pass Pipe-C | — | 9354111004 | — | — | |
| 843 | Suction Pipe-B Assy | — | 9352755002 | — | — | |
| 845 | Insulation (Exp. Valve) | — | 9353070012 | — | 9353370006 | |
| 846 | Relay | — | 9304375005 | — | 9304375005 | |
| 856 | Equalizing Pipe-C | — | — | — | 9353304001 | |
| 857 | Inlet Pipe (Accumulator)-B | — | — | — | 9353199003 | |
| 862 | Valve-B Coupl. Pipe | — | — | — | 9353309006 | |
| 863 | Joint Pipe (Capillary)-B | — | — | 9353206008 | 9353206008 | |
| 880-1 | Network | 9700987017 | 9700987017 | 9700987017 | 9700987017 | |

CONTROLLER PCB ASSEMBLY (Ref. No. 236) () : Reverse cycle model

| Ref. No. | Description | Part No. | Ord. Qty | Ref. No. | Description | Part No. | Ord. Qty |
|----------|---------------------------------------|------------|----------|-----------------------------|-------------------------------|------------|----------|
| | | | | | | | |
| IC2 | IC NJM7812FA | 0100462104 | | C13, 15, 34, 37, 39, 44, 45 | Cap. Ceramic 50V 0.1 μ F | 0300311752 | |
| IC3 | IC NJM7805FA | 0100462081 | | C14 | Cap. Elec. 25V 100 μ F | 0301192350 | |
| IC4~6 | Xstr μ PA2003GR | 0109028041 | | C16~31, 38, 40, 42, 46, 49 | Cap. Ceramic 50V 0.01 μ F | 0300311738 | |
| IC7 | IC MM93C46M8-X | 0101622026 | | C32, 35, 43, 50~53 | Cap. Ceramic 50V 1000pF | 0300308509 | |
| IC8 | IC PST600CMTR | 0101461120 | | C54 | Cap. Ceramic 50V 0.01 μ F | 0300727539 | |
| IC9 | Photocoupler TLP621(D4)-GB | 0000117074 | | K1, 3, 4 (K5) | Relay JQ1-12V | 9701316014 | |
| Q1 | Xstr 2SC4236 | 0000164047 | | (K6, 7) | Relay JQ1P-12V | 9701794010 | |
| Q2 | Xstr 2SC1815 | 0000002011 | | SSR1 | Relay G3V-202P-UTU | 9701316014 | |
| Q3, 4 | Xstr DTC124EK | 0000517034 | | SW1 | Switch, Slide DSS803 | 9701392018 | |
| D1 | Diode D3SB60 | 0000689045 | | T1 | Switching Transformer MPR-1 | 9701976010 | |
| D2, 4, 7 | Diode D1FL20U | 0000746519 | | X1 | Ceramic Resonator EFOEC8384T4 | 9701261017 | |
| D3 | Diode MT2J5, 1B | 0000852166 | | BZ1 | Buzzer PKM13EPY-4000-TF01 | 9701298013 | |
| D5 | Diode 1SR139-600 | 0000353120 | | CR1 | Network RPFL-121204 | 9701125012 | |
| D6 | Diode D2FL20U | 0000906500 | | (CR2, 3) | Network RPFL-121204 | 9701125012 | |
| D8 | Diode 01F60 | 0000208024 | | CN1 | Plug. PCB B2P3-VH-B-C | 0500011773 | |
| D9 | Diode DA226U | 0000625036 | | (CN2) | Plug. PCB B3P5-VH-B-R | 0500011803 | |
| D12 | Diode DAN202K | 0000684019 | | CN4 | Plug. PCB B2P3-VH-B-Y | 0500011827 | |
| R1 | Res. Cement 5W 3.3 Ω \pm 10% | 0200153148 | | CN5 | Plug. PCB 5430C063 | 0500957026 | |
| R2 | Res. Metal 2W 1.5 Ω \pm 5% | 0201107119 | | CN6 | Plug. PCB B2P3-VH-B-E | 0500011759 | |
| R3 | Res. 1/10W 100 Ω \pm 5% | 0200212500 | | | | | |
| R4 | Res. Carbon 1W 220k Ω \pm 5% | 0200111353 | | | | | |
| R5 | Res. Metal 2W 47k Ω \pm 5% | 0201107652 | | | | | |
| R6 | Res. 1/2W 100 Ω \pm 5% | 0200731506 | | | | | |
| R7 | Res. 1/4W 330 Ω \pm 5% | 0200708621 | | | | | |

ABY36AGA3W
 ABY36RGA3W
 ABY45AGA3W
 ABY45RGA3W

When you order parts, please make a photocopy of this page and fill the number of the parts in the "Order" column.

CONTROLLER PCB ASSEMBLY (Ref. No. 236)(Continued) () : Reverse cycle model

| Ref. No. | Description | Part No. | Ord. Q'ty | Ref. No. | Description | Part No. | Ord. Q'ty |
|--|--------------------------|------------|--------------|------------|---------------------------|------------|--------------|
| R8, 10, 13, 15~ 17, 21~24, 29~32, 37, 39, 48, 50, 52, 53, 55, 59, 68 | | | | CN7 | Plug. PCB B2B-XASK-1-A | 0501045227 | |
| R9 | Res. 1/10W 390Ω±5% | 0200212647 | | CN8 | Plug. PCB B2B-XASK-1-A | 0501045012 | |
| R11 | Res. Metal 1W 56kΩ±5% | 0201106662 | | CN9 | Plug. PCB B2P-SHF-1AA | 0500060669 | |
| R12, 18~20, 25 ~28, 33~36 38, 42, 44, 46, 49, 51, 56~58 67 | Res. 1/10W 1kΩ±5% | 0200212746 | | CN10 | Plug. PCB B5B-XASK-1-A | 0501045043 | |
| R40, 41 | Res. 1/10W 4.7kΩ±5% | 0200212906 | | CN11 | Plug. PCB B5B-XASK-1-A | 0501045517 | |
| R43 | Res. 1/10W 10kΩ±1% | 0200279497 | | CN12 | Plug. PCB B3B-XASK-1-A | 0501045029 | |
| R45 | Res. 1/10W 49.9kΩ±1% | 0200279824 | | CN13 | Plug. PCB B8B-XASK-1-A | 0501045074 | |
| R54 | Res. 1/10W 47Ω±5% | 0200212425 | | CN14 | Plug. PCB B4B-XH-AM | 0500005314 | |
| CJ1, 2 | Res. 0Ω | 0200212012 | | CN15 | Plug. PCB B3B-XARK-1-A | 0501045319 | |
| C5 | Cap. Elec. 450V 100μF | 0300312797 | | C101, 102 | Cap. Plastic 0.1μF | 0300894835 | |
| C6 | Cap. Plastic 4700pF | 0300289091 | | C103~106 | Cap. Plastic 0.022μF | 0301052098 | |
| C7 | Cap. Plastic 50V 0.047μF | 0300169339 | | SA101 | Arrester DSA-362MA-05 | 0600168032 | |
| C8 | Cap. Elec. 25V 100μF | 0301197560 | | VA101, 102 | Varistor TNR12G471K | 0000038010 | |
| C9 | Cap. Elec. 25V 1000μF | 0301196495 | | TM101, 102 | Plug Contact 86028 | 0500536016 | |
| C10, 11, 33, 36, 41 | Cap. Elec. 25V 10μF | 0301192312 | | LF101 | EMI Filter SU16VF-15030 | 0400134114 | |
| | | | | FH1, 2 | Fuse BET3, 15A-250V | 0600222512 | |
| | | | | FH1, 2 | Fuse Holder PFC5000-0502 | 0500158072 | |
| | | | | E101 | Wire w/Terminal GRN L=120 | 9702066062 | |
| | | | | W101 | Wire w/Terminal BLK L=80 | 9702066017 | |
| | | | | W102 | Wire w/Terminal WHT L=100 | 9702066024 | |
| | | | | W103, 104 | Wire #18 2P | 9702067014 | |


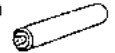
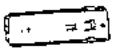


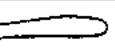
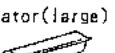
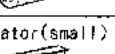
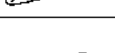
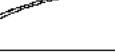


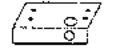
{OUTDOOR UNIT}
 CONTROLLER PCB ASSEMBLY

| Ref. No. | Description | Part No. | Ord. Q'ty | Ref. No. | Description | Part No. | Ord. Q'ty |
|--|--------------------------------|------------|--------------|--------------------|--------------------------------|------------|--------------|
| IC1 | IC μPD78081CU-011 | 9701721016 | | C9~11, 14~16 30 | Cap. Ceramic 50V 0.01μF | 0300013113 | |
| IC2 | IC HU2001 | 9701651016 | | C17 | Cap. Elec. 25V 100μF | 0300051375 | |
| IC3 | IC PST800D-2-TP | 0101461113 | | C20, 23, 26, 35 | Cap. Ceramic 50V 1000pF | 0300011096 | |
| IC4 | IC NJM7805FA | 0100462081 | | C33 | Cap. Elec. 25V 2200μF | 0300091547 | |
| IC5~5 | IC BA12003 | 0101650012 | | L1 | EMI Filter SU16VF-15030 | 0400134114 | |
| RC1 | RC Module ARCL14FS103J102J103M | 0200301020 | | VA1, 4 | Varistor TNR12G471K | 0000038010 | |
| Q1 | Xstr 2SD880 | 000001014 | | F1 | Fuse BET 3, 15A - 250V | 0600222512 | |
| Q2, 3 | Xstr DTC124ES | 0000517010 | | FH1, 2 | Fuse Holder PFC5000-0502 | 0500158072 | |
| D1 | Diode D2SB20 | 0000599023 | | SA1 | Arrester DSA-362MA-05 | 0600168032 | |
| D2 | Diode MTZJ15C | 0000852203 | | K1~6 | Relay JQ1-12V | 9701316014 | |
| D3~5 | Diode 1SR139-400 | 0000353137 | | HT1 | Heat Sink PUG26-25 | 9701428014 | |
| D6 | Diode 1SS133 | 0000572019 | | X1 | Ceramic Resonator EFOEC5004T4Z | 9701261024 | |
| LED1, 2 | Diode SLR-325VC RED | 0000813259 | | CR1~3 | Network RPEL-121204 | 9701125012 | |
| R1, 2 | Res. Carbon 5.6kΩ±5% | 0200994182 | | CN1 | Plug. PCB 53406-9110 | 0500951086 | |
| R3, 6, 10~12, 14, 16, 18, 20, 24 | Res. Carbon 1kΩ±5% | 0200994017 | | CN2 | Plug. PCB B2P3-VH-B-R | 0500011766 | |
| R4, 26 | Res. Carbon 4.7kΩ±5% | 0200994178 | | CN3 | Plug. PCB B2B-XH-AM | 0500005321 | |
| R5, 7~9, 13, 21~23, 25 | Res. Carbon 10kΩ±5% | 0200994253 | | CN4, 6 | Plug. PCB 53331-0210 | 0501033019 | |
| R15, 17 | Res. Metal 14kΩ | 0201028612 | | CN5 | Plug. PCB B4P7-VH-B | 0500011742 | |
| R19 | Res. Metal 6.65kΩ | 0201028766 | | CN7 | Plug. PCB B4P7-VH-B-R | 0500011797 | |
| C1, 4 | Cap. Plastic 0.1μF | 0300894835 | | CN8 | Plug. PCB 179844-2 | 0501121020 | |
| C2, 3 | Cap. Ceramic 4700pF | 0300727546 | | CN9 | Plug. PCB 179844-1 | 0501121013 | |
| C5 | Cap. Elec. 50V 2200μF | 0301206026 | | CN10 | Plug. PCB B4P-SHF-1AA | 0500060638 | |
| C6, 7, 21, 24, 27 | Cap. Elec. 25V 10μF | 0300004258 | | CN11 | Plug. PCB B2P-VH-B | 0500011124 | |
| C8, 18, 19, 22, 25, 28, 29, 34, 36 | Cap. Ceramic 0.1μF | 0300988251 | | CN12 | Plug. PCB B2P-VH-B-C | 0500011568 | |
| | | | | CN13 | Plug. PCB B2P-VH-B-R | 0500011148 | |
| | | | | CN15 | Plug. PCB B2B-XASK-1-A | 0501045012 | |
| | | | | E | Wire w/Terminal L=210 GRN | 9701325016 | |




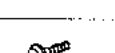
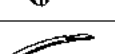
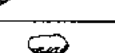




INDICATOR PCB ASSEMBLY (Ref. No. 385)

| Ref. No. | Description | Part No. | Ord. Q'ty | Ref. No. | Description | Part No. | Ord. Q'ty |
|-----------|--------------------------|------------|--------------|----------|---|------------|--------------|
| D201 | Diode SLR-325VC RED | 0000813259 | | PHA201 | Remote Control Amplifier SBX1610-22 | 0100417050 | |
| D202 | Diode SLR-325MC GRN | 0000813242 | | SW201 | Switch, EVO-PAG-04K | 9700450016 | |
| D203, 204 | Diode SLR-325DC DRG | 0000813235 | | CN201 | Wire w/Connector JC25/XMR Lamp Holder 94N40 | 9701875016 | |
| C201 | Cap. Ceramic 0.1μF | 0300988251 | | | | 9358548034 | |
| C202 | Cap. Elec. 25V 10μF | 0300004258 | | | | | |
| R201~204 | Res. Carbon 1/4W 330Ω±5% | 0201038659 | | | | | |

INDOOR UNIT ACCESSORIES

| Name and Shape | Q'ty | Application | ABY36AGA3W | ABY36RGA3W | ABY45AGA3W | ABY45RGA3W |
|--|------------|---|------------------------|------------------------|------------------------|------------------------|
| Remote control unit  | 1 | Use for air conditioner operation | 9359913023 (AR-DL2) | 9359913016 (AR-DL1) | 9359913023 (AR-DL2) | 9359913016 (AR-DL1) |
| Battery (penlight)  | 4 | For remote control unit | 313187358304 | 313187358304 | 313187358304 | 313187358304 |
| Remote control unit holder  | 1 | For mounting the remote control unit | 9359955016 | 9359955016 | 9359955016 | 9359955016 |
| Tapping screw (φ3×12)  | 3 | For remote control unit holder installation | 301141533125 | 301141533125 | 301141533125 | 301141533125 |
| Drain hose insulation  | 1 | Adhesive type 70×230 | 9360464002 | 9360464002 | 9360464002 | 9360464002 |
| VT wire  | 1 | For fixing the drain hose L280mm | 313806350303 | 313806350303 | 313806350303 | 313806350303 |
| Coupler heat insulator (large)  | 2 | For indoor side pipe joint (large pipe) | 9350716029 | 9350716029 | 9350716029 | 9350716029 |
| Coupler heat insulator (small)  | 1 | For indoor side pipe joint (small pipe) | 9352766015 | 9352766015 | 9352766015 | 9352766015 |
| Nylon fastener  | Large 4 | For fixing the coupler heat insulator | 9301501001 | 9301501001 | 9301501001 | 9301501001 |
| | Small 4 | | 312300787605 | 312300787605 | 312300787605 | 312300787605 |
| Special nut A (large flange)  | 4 | For installing indoor unit | 313005446653 | 313005446653 | 313005446653 | 313005446653 |
| Special nut B (small flange)  | 4 | For installing indoor unit | 313005446759 | 313005446759 | 313005446759 | 313005446759 |
| Installation template  | 1 | For positioning the indoor unit | 9360022004 | 9360022004 | 9360022004 | 9360022004 |
| Auxiliary pipe assembly  | 1 | For connecting the piping | 9360463005 | 9360463005 | 9360463005 | 9360463005 |

OUTDOOR UNIT ACCESSORIES

| Name and Shape | Q'ty | Application | AOY36ACA3L | AOY36RCD3L | AOY45ACA3L | AOY45RCD3L |
|---|------|--|--------------|--------------|--------------|--------------|
| Power cap  | 1 | For power cord installation | 9352173011 | 9352173011 | 9352173011 | 9352173011 |
| Auxiliary assembly  | 1 | For wiring conduit (gas side) connection (May not be supplied, depending on the model) | 9355292016 | 9355292016 | 9355292016 | 9355292016 |
| Edge cover  | 1 | For wiring conduit installation hole edge protection | 9352436000 | 9352436000 | 9352436000 | 9352436000 |
| Tapping screw  | 2 | • For cabinet A and cabinet D mounting (1) • Spare (1) | 301463040100 | 301463040100 | 301463040100 | 301463040100 |
| Binder  | 1 | For power cord binding | 313035356905 | 313035356905 | 313035356905 | 313035356905 |
| Putty  | 1 | For sealing | 303020200114 | 303020200114 | 303020200114 | 303020200114 |
| Coupler heat insulation  | 1 | For outdoor side pipe joint | 313005074759 | 313005074759 | 313005074759 | 313005074759 |
| Pipe (drain)  | 2 | | — | 313728031005 | — | 313728031005 |
| Flexible tube  | 2 | | — | 313013042915 | — | 313013042915 |
| Cap (drain)  | 2 | | — | 313166024302 | — | 313166024302 |


FUJITSU
FUJITSU GENERAL LIMITED

Handwritten signature
1/10/1998