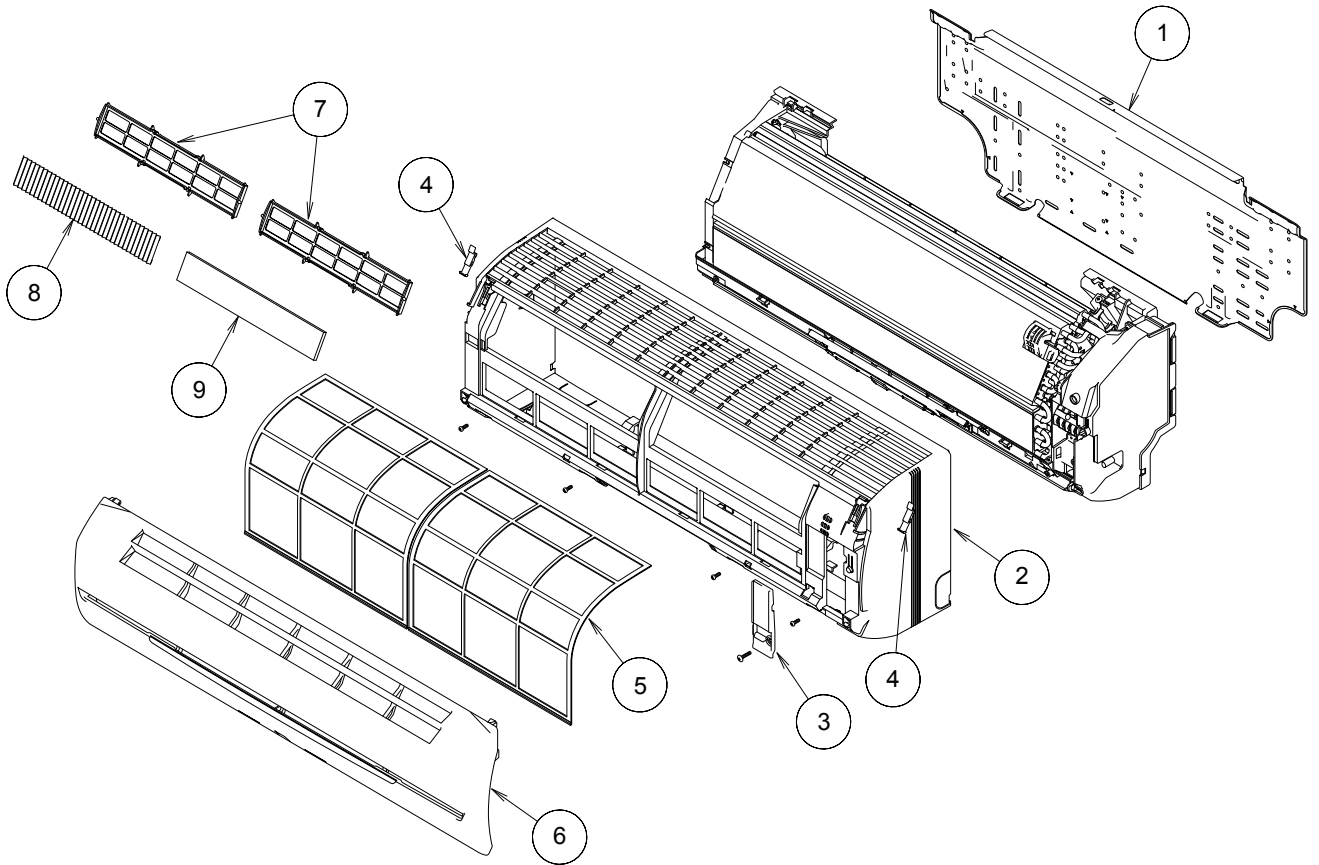
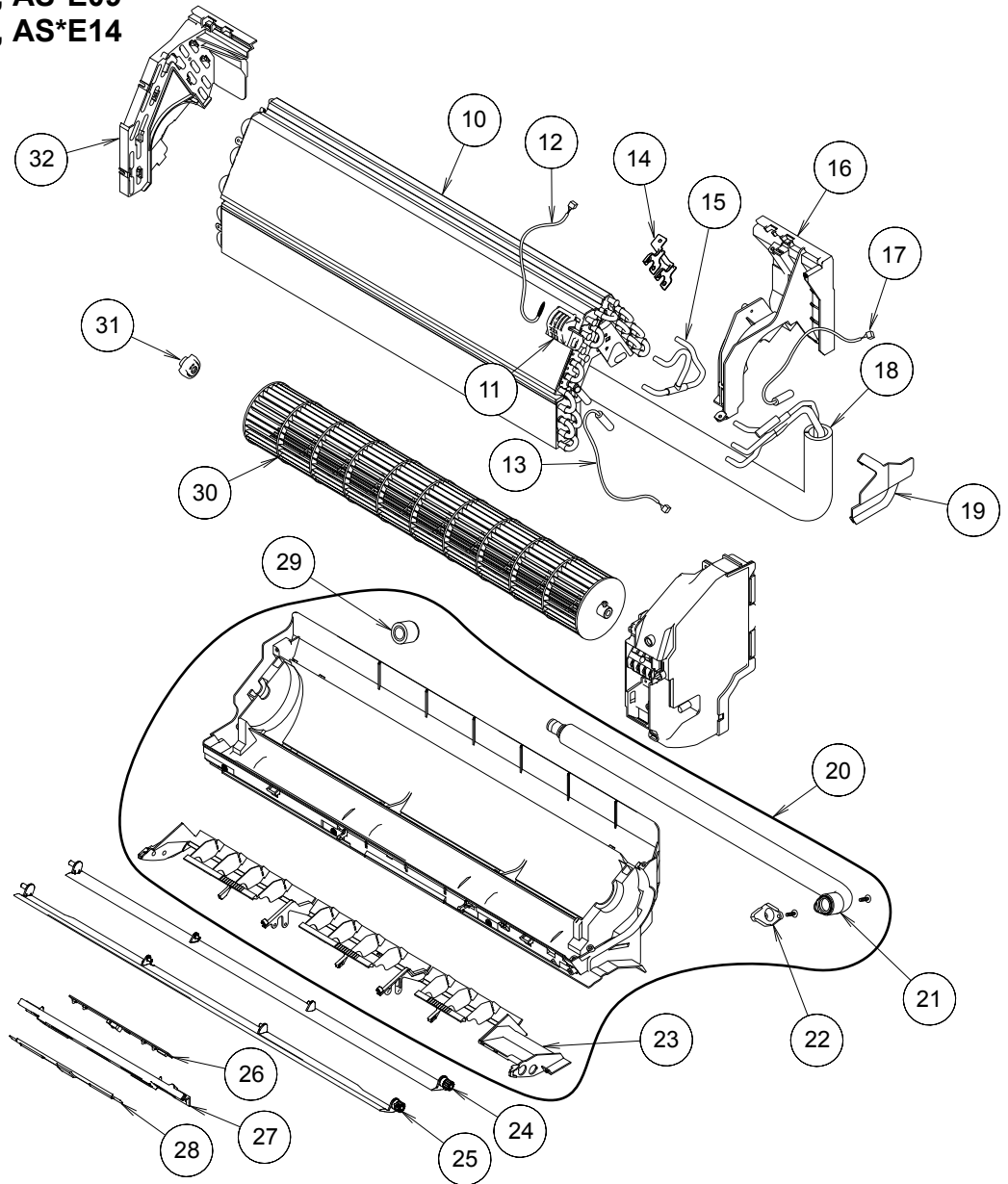


**MODELS : AS*E07, AS*E09
AS*E12, AS*E14**



Ref No.	Description	Parts No.				Q'ty
		AS*E07	AS*E09	AS*E12	AS*E14	
1	BRACKET PANEL ASSY	9312752027	9312752027	9312752027	9312752027	
2	PANEL (FRONT)	9309999053	9309999053	9309999053	9309999053	
3	WIRE CLAMPER	9311946014	9311946014	9311946014	9311946014	
4	CLAMPER (GRILLE)	9306755010	9306755010	9306755010	9306755010	
5	AIR FILTER	9309997011	9309997011	9309997011	9309997011	
6	INTAKE GRILLE ASSY	9313131203	9313131203	9313131203	9313131203	
7	HOLDER (ELECTRIC FILTER)	9306602017	9306602017	9306602017	9306602017	
8	ELECTRIC FILTER	9312153015	9312153015	9312153015	9312153015	
9	ION DEODRANT FILTER	9311925033	9311925033	9311925033	9311925033	

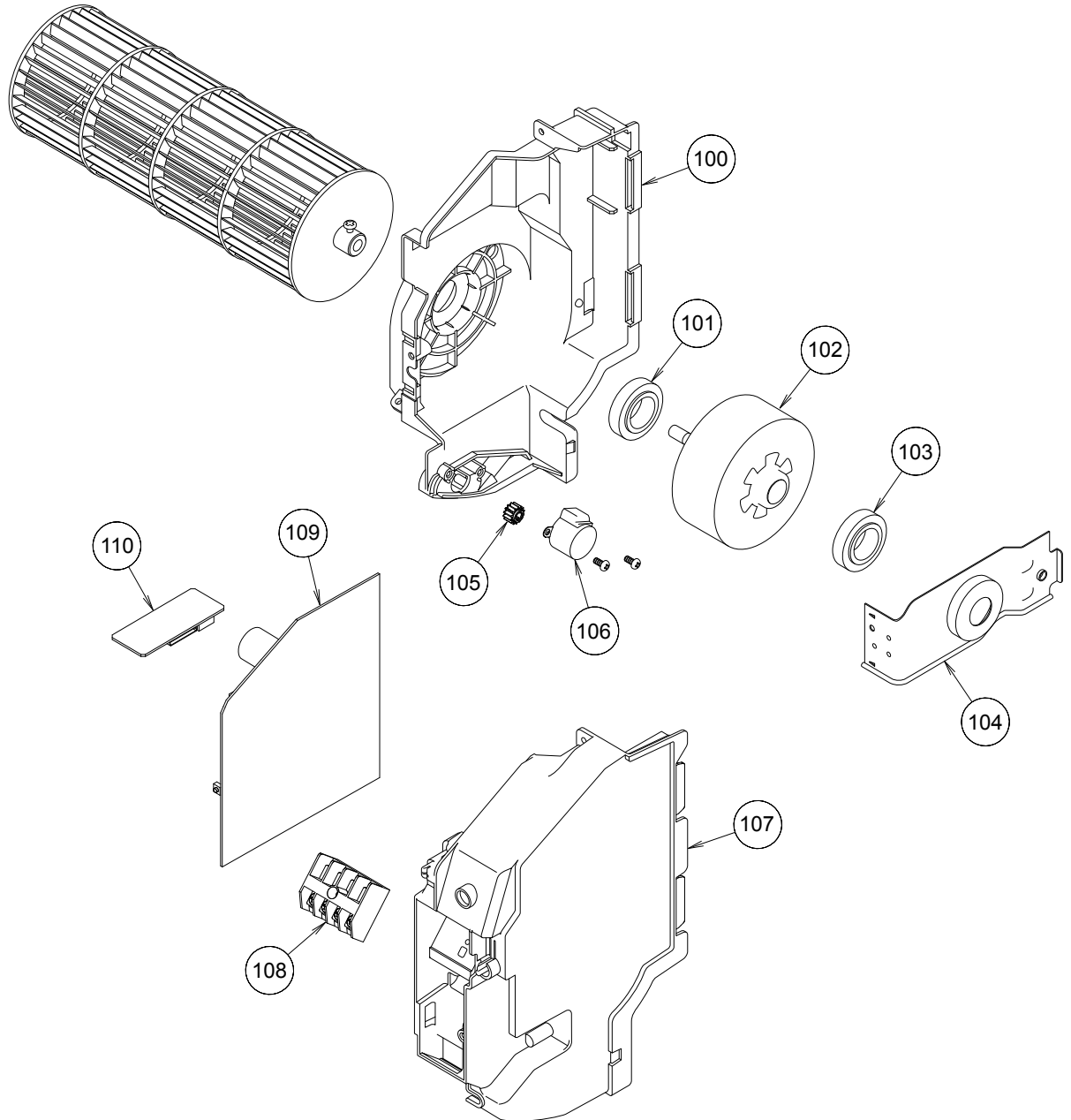
**MODELS : AS*E07, AS*E09
AS*E12, AS*E14**



Note: Since the thermistors of 12, 13, and 17 are directly mounted to controller PCB, please place order by the controller PCB. Soldering is required when the order of thermistor is placed individually.




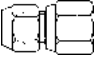
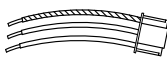

Ref No.	Description	Parts No.				Q'ty
		AS*E07	AS*E09	AS*E12	AS*E14	
10	EVAPORATOR TOTAL ASSY	9366633044	9366633044	9366633044	9366633044	
11	HOLDER (ROOM THERMISTOR)	9311948018	9311948018	9311948018	9311948018	
12	THERMISTOR (ROOM)	9700801160	9700801160	9700801160	9700801160	
13	THERMISTOR (PIPE-MID)	9702039035	9702039035	9702039035	9702039035	
14	BRACKET (EVA)	9310464007	9310464007	9310464007	9310464007	
15	SEPARATE PIPE ASSY A	9313100018	9313100018	9313100018	9313100018	
16	HOLDER (EVA) R	9309983014	9309983014	9309983014	9309983014	
17	THERMISTOR (PIPE-IN)	9702039080	9702039080	9702039080	9702039080	
18	JOINT PIPE ASSY	9313750022	9313750022	9313750022	9313750022	
19	WATER SEAL	9312912018	9312912018	9312912018	9312912018	
20	CASING ASSY	9312112111	9312112111	9312112111	9312112111	
21	HOSE (DRAIN) ASSY	9314147012	9314147012	9314147012	9314147012	
22	BRACKET DRAIN	9314161018	9314161018	9314161018	9314161018	
23	LOUVER HOLDER	9309993013	9309993013	9309993013	9309993013	
24	LOUVER Z ASSY	9312369034	9312369034	9312369034	9312369034	
25	LOUVER U ASSY	9312368020	9312368020	9312368020	9312368020	
26	DISPLAY PCB	9705039032	9705039032	9705039032	9705039032	
27	CASE DISPLAY	9311858010	9311858010	9311858010	9311858010	
28	RECEIVER WINDOW	9312911011	9312911011	9312911011	9312911011	
29	CAP (DRAIN) ASSY	9314493010	9314493010	9314493010	9314493010	
30	CROSS FLOW FAN ASSY	9307836015	9307836015	9307836015	9307836015	
31	BEARING C ASSY	9306628017	9306628017	9306628017	9306628017	
32	EVAPORATOR HOLDER L ASSY	9312360024	9312360024	9312360024	9312360024	

**MODELS : AS*E07, AS*E09
AS*E12, AS*E14**



Ref No.	Description	Parts No.				Q'ty
		AS*E07	AS*E09	AS*E12	AS*E14	
100	BOX (SWITCH) SUB ASSY	9312374021	9312374021	9312374021	9312374021	
101	MOTOR CUSHION N	9312979011	9312979011	9312979011	9312979011	
102	MOTOR DC BRUSHLESS	9602109012	9602109012	9602109012	9602109012	
103	MOTOR CUSHION NR	9313168018	9313168018	9313168018	9313168018	
104	CLAMPER (MOTOR)	9310102008	9310102008	9310102008	9310102008	
105	GEAR A	9309994003	9309994003	9309994003	9309994003	
106	MOTOR STEP	9900139025	9900139025	9900139025	9900139025	
107	COVER SWITCH	9312909018	9312909018	9312909018	9312909018	
108	TERMINAL 4P	9701955121	9701955121	9701955121	9701955121	
109	CONTROLLER PCB	9707356021	9707356021	9707356021	9707356021	
110	COMMUNICATION PCB	9704424044	9704424044	9704424044	9704424044	
-	FUSE 250V 3.15A	0600376062	0600376062	0600376062	0600376062	
-	FUSE HOLDER	0500158072	0500158072	0500158072	0500158072	

MODELS : AS*E07, AS*E09, AS*E12, AS*E14

Name and Shape	Q'ty	Application	Parts No.			
			AS*E07	AS*E09	AS*E12	AS*E14
Manual (Operation) 	1		9377772015	9377772015	9377772015	9377772015
Manual (Installation) 	1		9377773012	9377773012	9377773012	9377773012
Cloth tape 	1	For indoor unit installation	9310519004	9310519004	9310519004	9310519004
Adapter D 	1	Use as needed ø12.7-ø9.52 (AS7/9)	9370244007	9370244007	-	-
Wire assebly 	1	For wired remote control installation	9707476019	9707476019	9707476019	9707476019
Seal A 	1	For indoor unit installation	9304536000	9304536000	9304536000	9304536000